

MESA NUTRA DISPENSING CLOSURES

53-NTR-GC S



Specifications:

DIAMETER 53 mm
THREAD PROFILE 400
NECK FINISH 53-400
CLOSURE TOP Flip-top
CLOSURE SIDEWALL Smooth
MATERIAL PP

PACKAGING & FREIGHT INFORMATION

PACK TYPE	PCS/CTN	CTNS/PALT	PCS/PALT	CTN WT*	PALT WT*	FRT CLASS
Bulk	1,300	15	19,500	24 ⁽¹⁾	390 ⁽¹⁾	125 ⁽¹⁾
Bulk	1,300	15	19,500	28 ⁽²⁾	412 ⁽²⁾	125 ⁽²⁾
CARTON DIMENSIONS: 24 x 16 x 15			PALLET DIMENSIONS: 48 x 40 x 50			

(1) Unlined Closures (2) Lined Closures *Approximate

MARKETS

Consumer Healthcare, Vitamins, Minerals, Supplements, Home Care, Food, Beverage

OPTIONS

Available in white, standard colors, and custom colors. Can be lined with a wide variety of liner systems. This closure can be embossed/debossed with your custom message.

CLOSURE BENEFITS

- One-hand open and close makes dispensing easy
- MESA Nutra Flip-top dispensing closure
- Full lid remains open at 160°
- Full circle orifice
- Smooth design lends a clean look

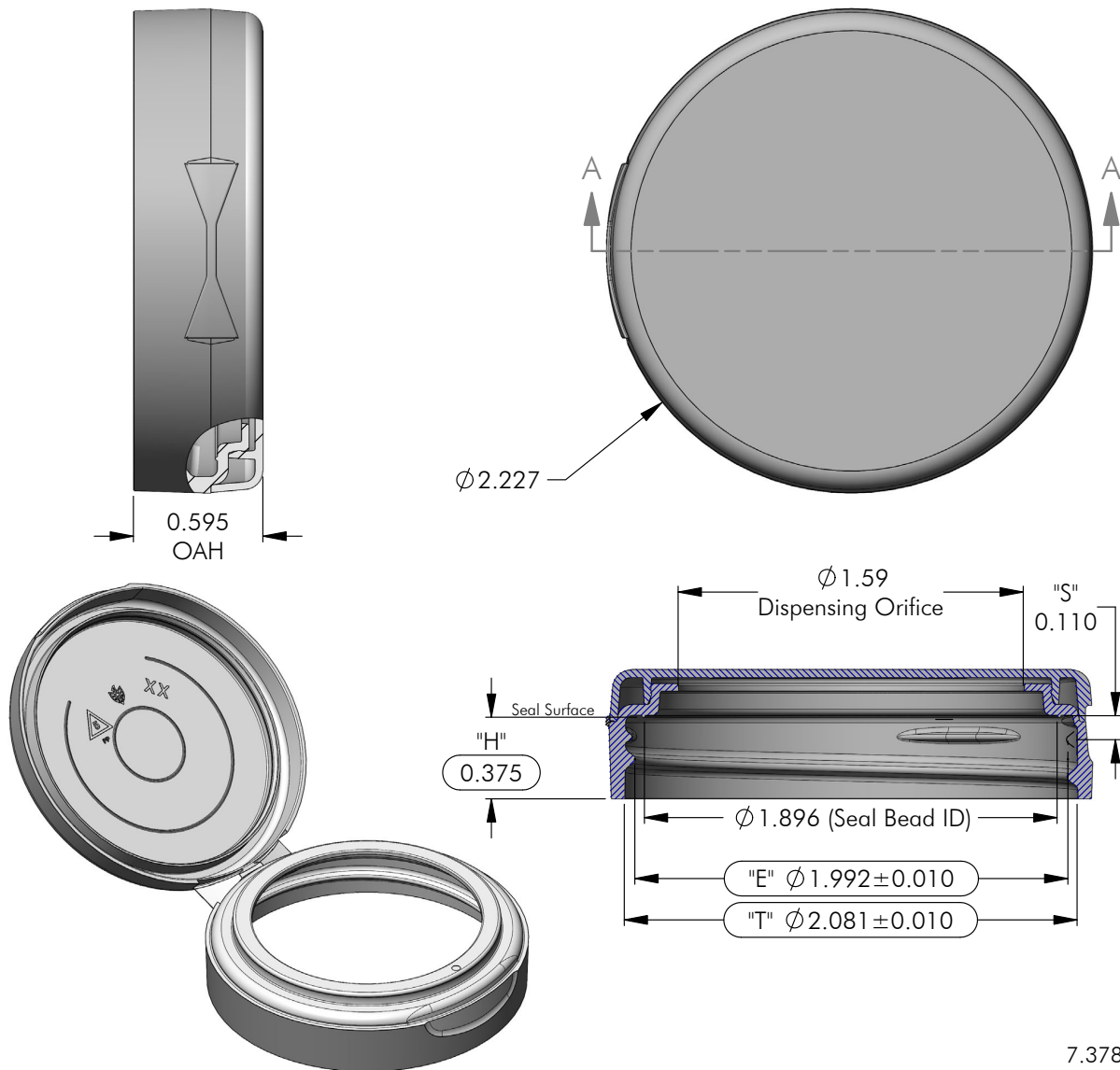


PHXPKG.COM

P 630 420 4750 E greatpkg@phxpkg.com
 975 Meridian Lake Drive • Aurora, IL 60504

MESA NUTRA DISPENSING CLOSURES

53-NTR-GC S

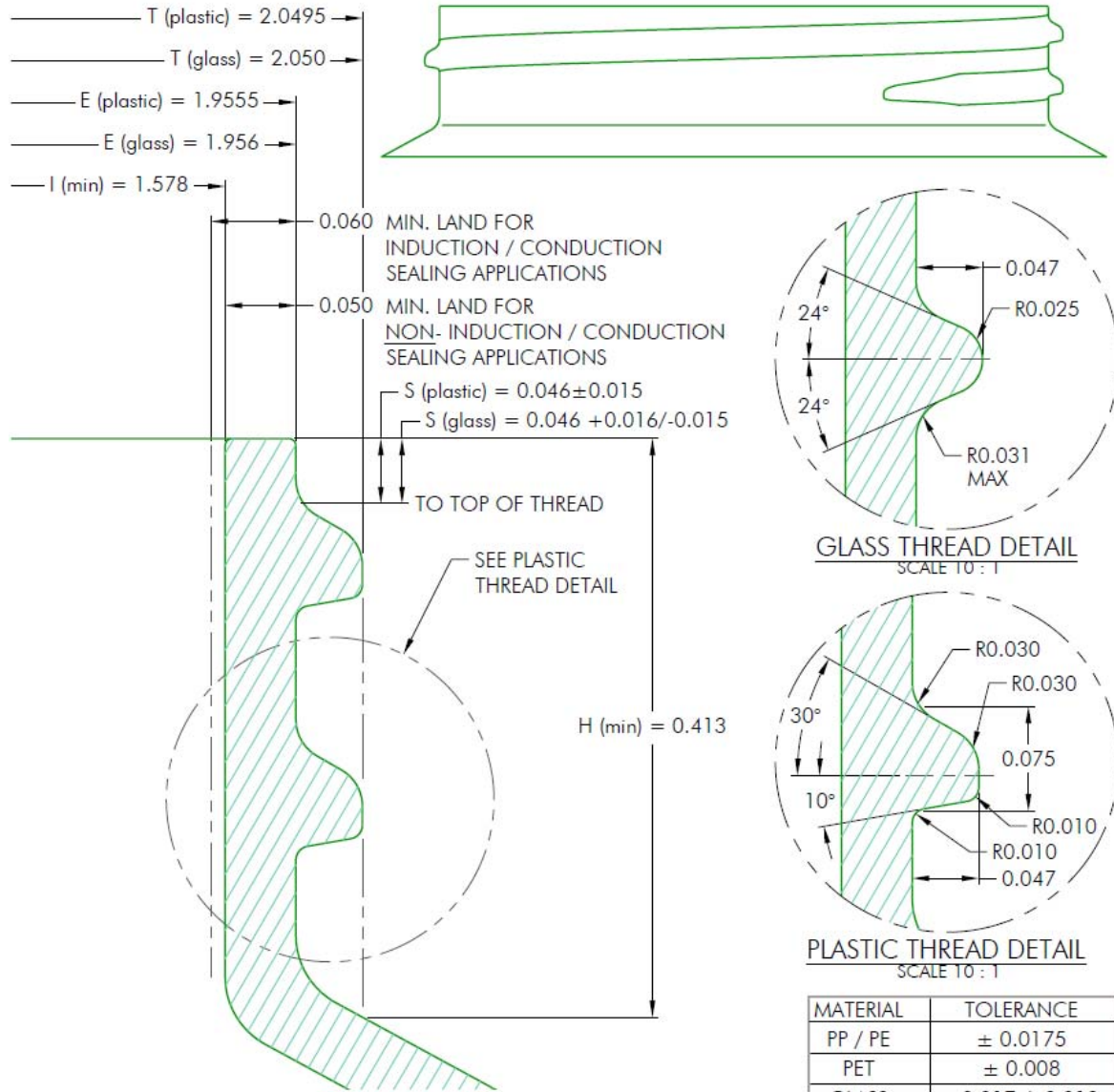


7.378

NOTES: (UNLESS OTHERWISE SPECIFIED) 1. ALL DIMENSIONS ARE IN INCHES. 2. SEE CHART FOR DIMENSIONAL TOLERANCE.				1	01.11.24	ECN 2947 (align CS/QA Targets to actual)		TCS				
				REV	DATE	DESCRIPTION		BY				
THIS OR FACSIMILE THEREOF IS THE EXCLUSIVE PROPERTY OF PHOENIX AND MAY NOT BE REPRODUCED WITHOUT THE EXPRESSED WRITTEN CONSENT OF PHOENIX. SOME OR ALL OF THE ITEMS DEPICTED ON THIS DRAWING MAY BE COVERED BY CURRENT PATENTS OR PATENTS APPLIED FOR BY PHOENIX.				TOLERANCE	PITCH/TPI	.167 / 6	TURNS	7/8	MAT'L	PP		
				.X	±0.1	DRAWN	TCS	DATE	03.01.23	SCALE	2 : 1	REV
				.XX	±0.02	053 - NTR - GC (S)				1		
				.XXX	±0.010							

MESA NUTRA DISPENSING CLOSURES

53-NTR-GC S



NOTES: (UNLESS OTHERWISE SPECIFIED)		0	10.01.02	Released	BZ
1. ALL DIMENSIONS ARE IN INCHES.		REV	DATE	DESCRIPTION	BY
2. SEE CHART FOR DIMENSIONAL TOLERANCE.		TOLERANCE	PITCH/TPI	1.67 / 6	TURNS
THIS OR FACSIMILE THEREOF IS THE EXCLUSIVE PROPERTY OF PHOENIX AND MAY NOT BE REPRODUCED WITHOUT THE EXPRESSED WRITTEN CONSENT OF PHOENIX. SOME OR ALL OF THE ITEMS DEPICTED ON THIS DRAWING MAY BE COVERED BY CURRENT PATENTS OR PATENTS APPLIED FOR BY PHOENIX.		.X	±0.1	DRAWN	BEZ
		.XX	±0.02	DATE	10.01.02
		.XXX	±0.010	SCALE	10 : 1
		53 - 400 - FINISH			REV



PHXPKG.COM

P 630 420 4750 E greatpkg@phxpkg.com
 975 Meridian Lake Drive • Aurora, IL 60504