

SMOOTH TOPS & SIDES

70-400-8511 S



Specifications:

DIAMETER 70 mm

THREAD PROFILE 400

NECK FINISH 70-400

CLOSURE TOP Smooth

CLOSURE SIDEWALL Smooth

MATERIAL PP, PCR PP

PACKAGING & FREIGHT INFORMATION

PACK TYPE	PCS/CTN	CTNS/PALT	PCS/PALT	CTN WT*	PALT WT*	FRT CLASS
Bulk	1,000	15	15,000	20 ⁽¹⁾	328 ⁽¹⁾	150 ⁽¹⁾
Bulk	1,000	15	15,000	22 ⁽²⁾	367 ⁽²⁾	125 ⁽²⁾
CARTON DIMENSIONS: 24 x 16 x 15			PALLET DIMENSIONS: 48 x 40 x 50			

(1) Unlined Closures (2) Lined Closures *Approximate

MARKETS

Nutraceuticals, Personal Care & Cosmetics, and Pharmaceuticals.

OPTIONS

Available in white, standard, and custom colors. Can be lined with a variety of liner systems including SureSeal (foam), pressure sensitive and heat induction (foil) liners. Offset printing is available on this closure in up to four colors. Optional 25-30% food-contact safe PCR PP material available.

CLOSURE BENEFITS

- Smooth top and sides lend a “clean” look to the package
- Popular for vitamins and nutraceuticals
- Popular for cosmetics



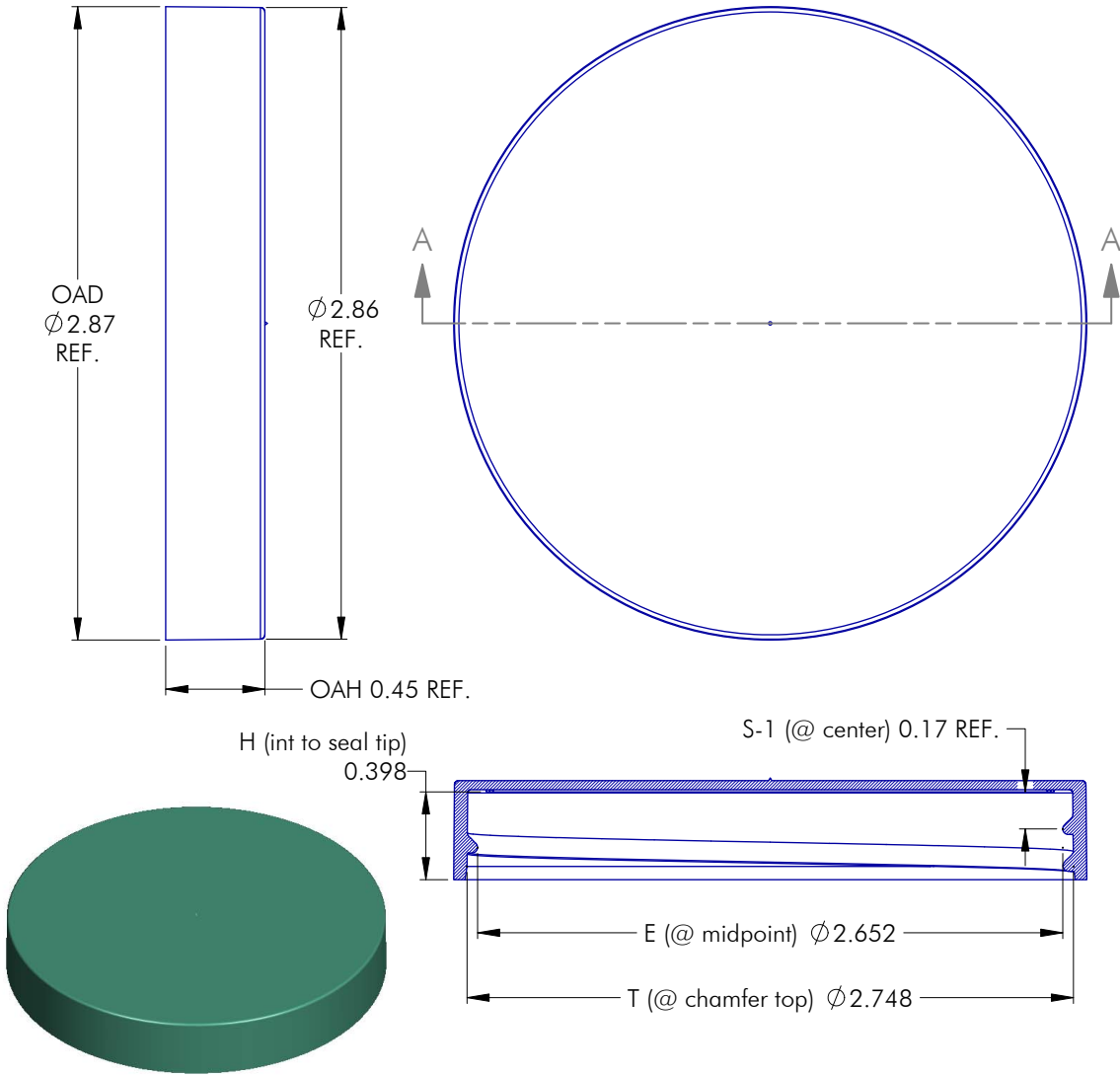
PHOENIX™

PHXPKG.COM

P 630 420 4750 E greatpkg@phxpkg.com
975 Meridian Lake Drive • Aurora, IL 60504

SMOOTH TOPS & SIDES

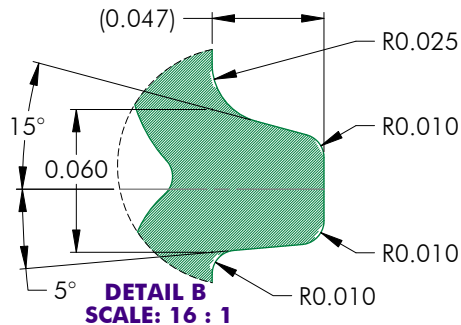
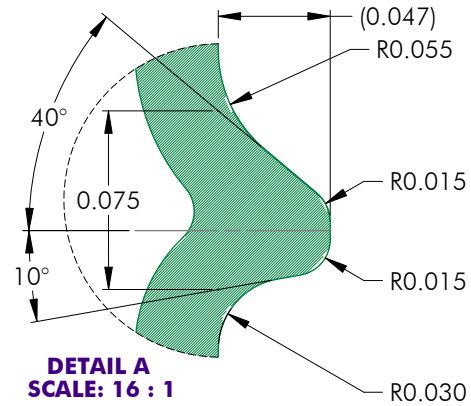
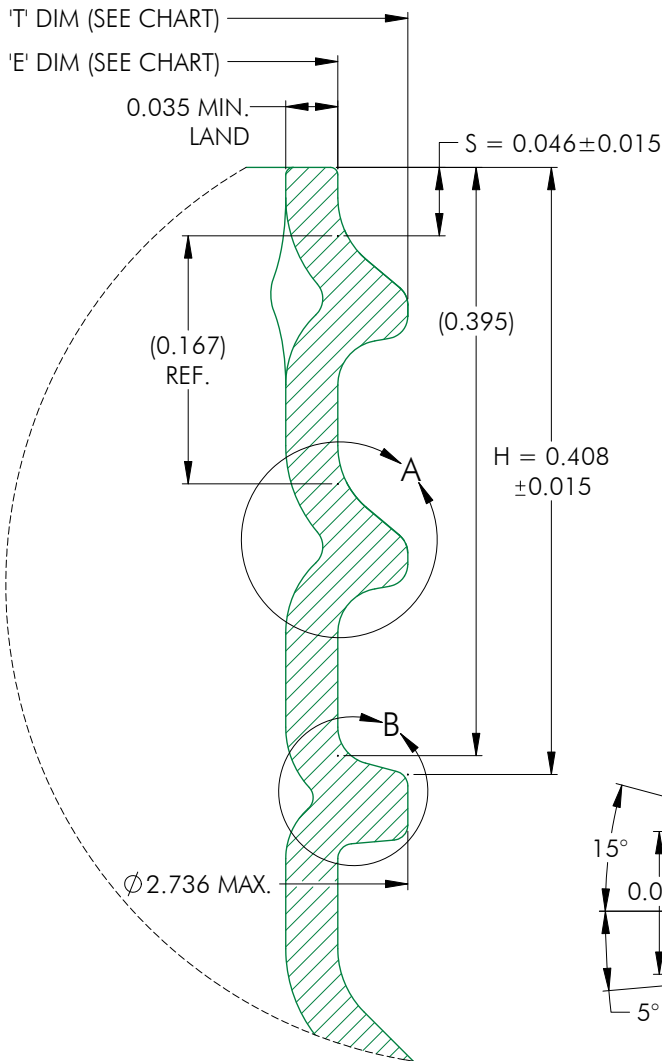
70-400-8511 S



NOTES: (UNLESS OTHERWISE SPECIFIED) 1. ALL DIMENSIONS ARE IN INCHES. 2. SEE CHART FOR DIMENSIONAL TOLERANCE.				1 REV	07.01.16 DATE	Update Overall Diameter Dimension DESCRIPTION	JP BY	
THIS OR FACSIMILE THEREOF IS THE EXCLUSIVE PROPERTY OF PHOENIX AND MAY NOT BE REPRODUCED WITHOUT THE EXPRESSED WRITTEN CONSENT OF PHOENIX. SOME OR ALL OF THE ITEMS DEPICTED ON THIS DRAWING MAY BE COVERED BY CURRENT PATENTS OR PATENTS APPLIED FOR BY PHOENIX.				TOLERANCE		PITCH/TPI .167 / 6	TURNS 1-1/8	MAT'L PP
				.X ± 0.1 .XX ± 0.02 .XXX ± 0.010	DRAWN TCS	DATE 06.07.16	SCALE 3 : 2	REV
				70 - 400 - 8511 S				1

SMOOTH TOPS & SIDES

70-400-8511 S



MATERIAL	T (mean)	E (mean)	TOLERANCE
PP / PE	2.7185	2.6245	± 0.0175
PET	2.726	2.632	± 0.010
GLASS	0.0000	0.0000	± 0.0000

NOTES: (UNLESS OTHERWISE SPECIFIED)		0		09.11.12		Released		DN	
1. ALL DIMENSIONS ARE IN INCHES.		REV	DATE	DESCRIPTION				BY	
2. SEE CHART FOR DIMENSIONAL TOLERANCE.				PITCH/TP/1.167 / 6		TURNS 1-1/4		MAT'L SEE CHART	
THIS OR FACSIMILE THEREOF IS THE EXCLUSIVE PROPERTY OF PHOENIX AND MAY NOT BE REPRODUCED WITHOUT THE EXPRESSED WRITTEN CONSENT OF PHOENIX. SOME OR ALL OF THE ITEMS DEPICTED ON THIS DRAWING MAY BE COVERED BY CURRENT PATENTS OR PATENTS APPLIED FOR BY PHOENIX.		TOLERANCE		DRAWN DMN		DATE 09.11.12		SCALE 10 : 1	
		.X ±0.1						REV	
		.XX ±0.02						0	
		.XXX ±0.010						70 - 400 - FINISH	