

**63-S01 BUTTRESS STYLE CLOSURES**

# 63-S01-TE U



## Specifications:

**DIAMETER** 63 mm  
**THREAD PROFILE** S01  
**NECK FINISH** 63-S01  
**CLOSURE TOP** Stipple  
**MATERIAL** PP

**PACKAGING & FREIGHT INFORMATION**

PACK TYPE	PCS/CTN	CTNS/PALT	PCS/PALT	CTN WT*	PALT WT*	FRT CLASS
Bulk	475	15	7,125	22 <sup>(1)</sup>	329 <sup>(1)</sup>	125 <sup>(1)</sup>
Bulk	475	15	7,125	23 <sup>(2)</sup>	349 <sup>(2)</sup>	125 <sup>(2)</sup>
<b>CARTON DIMENSIONS: 24 x 16 x 15</b>			<b>PALLET DIMENSIONS: 48 x 40 x 50</b>			

(1) Unlined Closures (2) Lined Closures \*Approximate

**MARKETS**

Food, Food Oil/Service, Household Chemicals, Automotive, Agricultural, and Industrial Products

**OPTIONS**

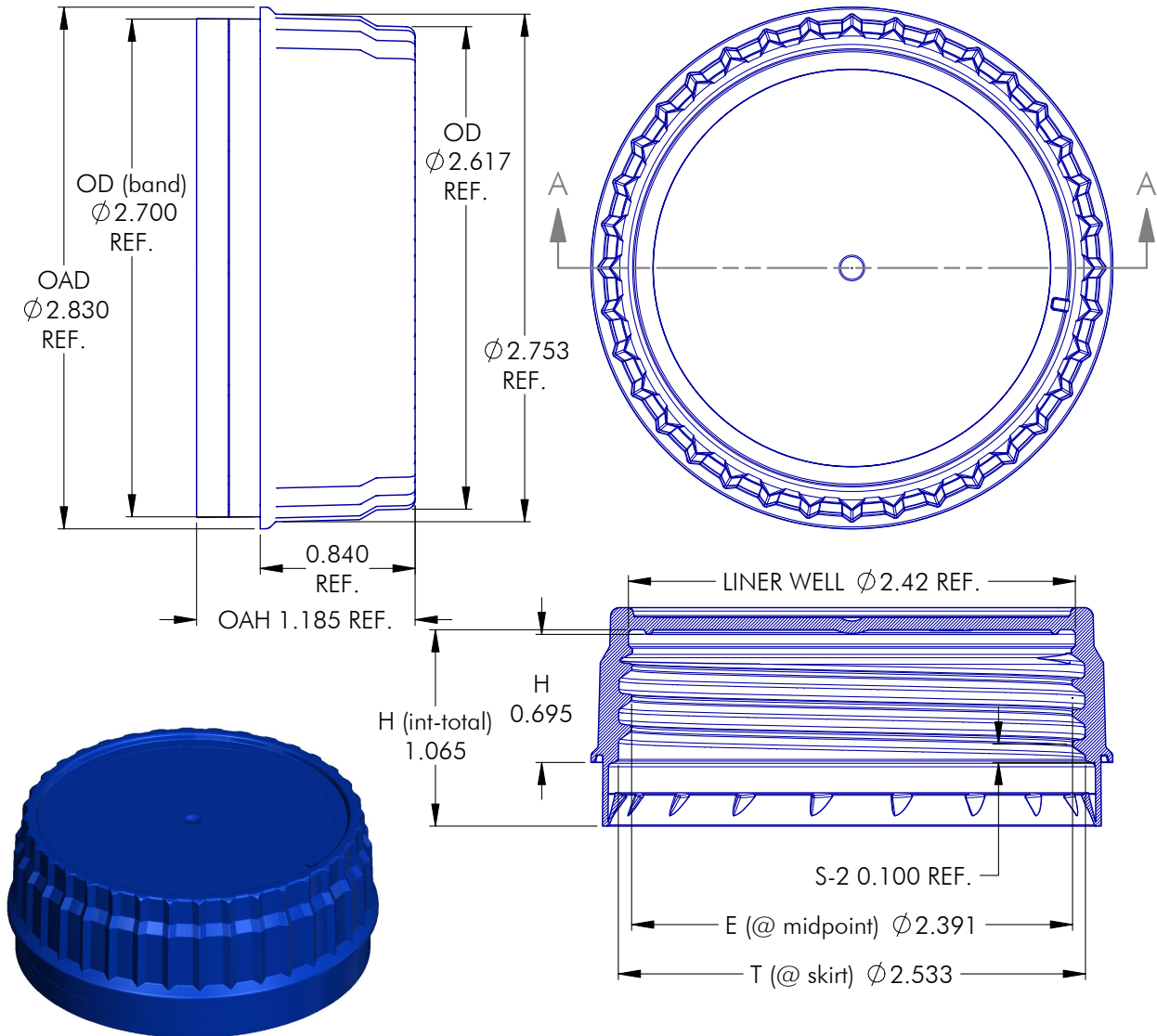
Available in white, standard colors and custom colors.

**CLOSURE BENEFITS**

- A proven closure for the Food Oil and Agricultural Chemical markets
- Offers tamper evidence feature
- Easy-to-grip defined ribs

**63-S01 BUTTRESS STYLE CLOSURES**

# 63-S01-TE U

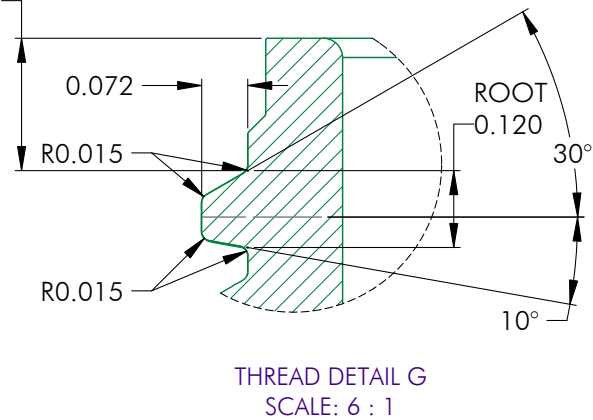
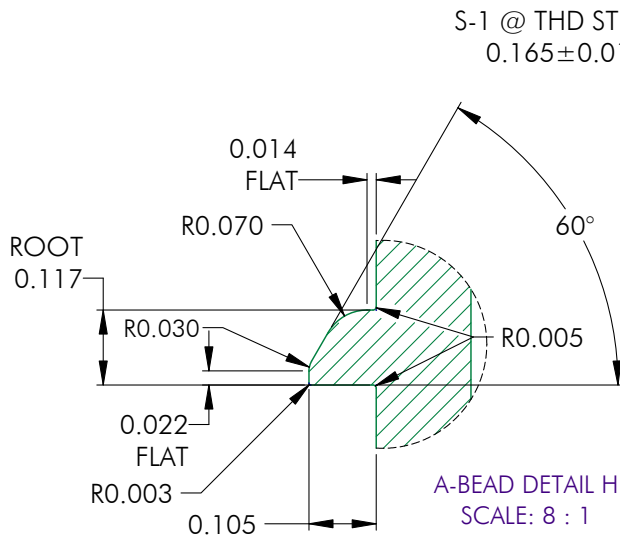
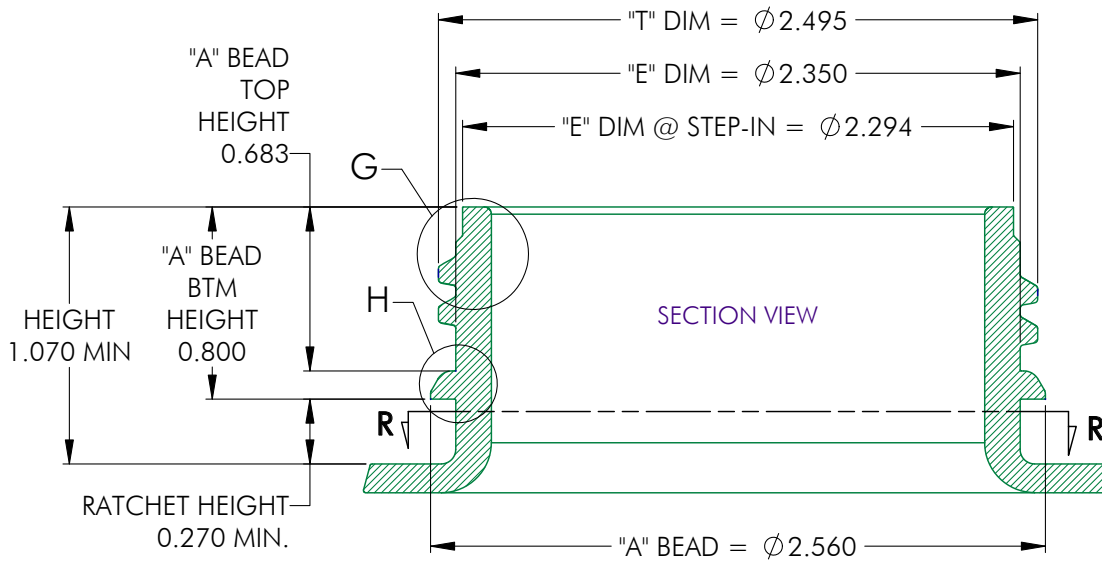


3. CONTINUOUS RUN OF THREAD FROM LINER WELL TO 'S-2' DIMENSION SHOWN (~2-1/4 TURNS FULL THREAD).

NOTES: (UNLESS OTHERWISE SPECIFIED) 1. ALL DIMENSIONS ARE IN INCHES. 2. SEE CHART FOR DIMENSIONAL TOLERANCE.  THIS OR FACSIMILE THEREOF IS THE EXCLUSIVE PROPERTY OF PHOENIX AND MAY NOT BE REPRODUCED WITHOUT THE EXPRESSED WRITTEN CONSENT OF PHOENIX. SOME OR ALL OF THE ITEMS DEPICTED ON THIS DRAWING MAY BE COVERED BY CURRENT PATENTS OR PATENTS APPLIED FOR BY PHOENIX.	6	07.15.24	Updated Logo and RIC code		LD
	REV	DATE	DESCRIPTION		BY
	TOLERANCE	PITCH/TPI .167 / 6		URNS ~2	MAT'L PP
	.X ±0.1	DRAWN DMN	DATE 06.08.12	SCALE 5 : 4	REV
.XX ±0.02	<b>063 - S01 - TE U</b>				6
.XXX ±0.010					

**63-S01 BUTTRESS STYLE CLOSURES**

# 63-S01-TE U

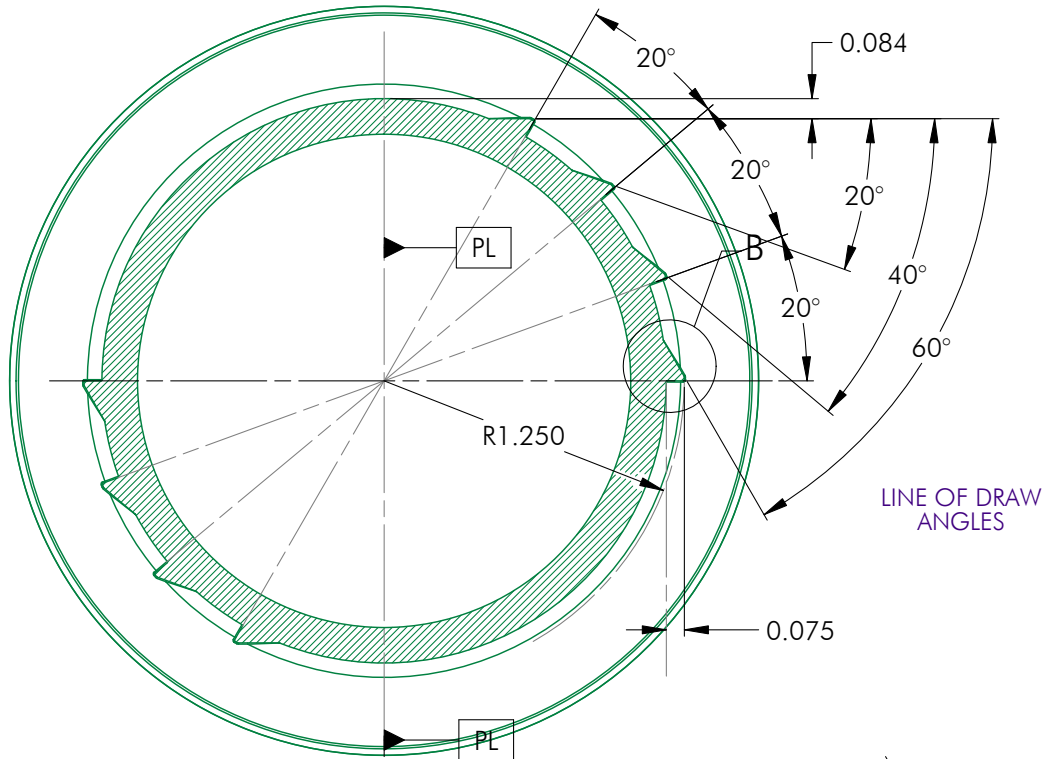


Sheet 1 of 2

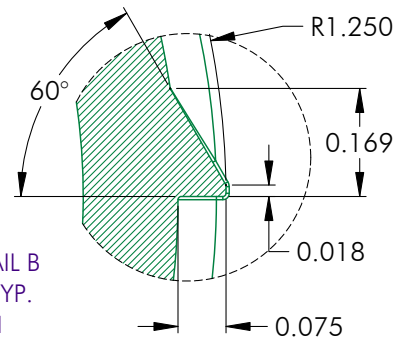
<b>NOTES: (UNLESS OTHERWISE SPECIFIED)</b> 1. ALL DIMENSIONS ARE IN INCHES. 2. SEE CHART FOR DIMENSIONAL TOLERANCE.  THIS OR FACSIMILE THEREOF IS THE EXCLUSIVE PROPERTY OF PHOENIX AND MAY NOT BE REPRODUCED WITHOUT THE EXPRESSED WRITTEN CONSENT OF PHOENIX. SOME OR ALL OF THE ITEMS DEPICTED ON THIS DRAWING MAY BE COVERED BY CURRENT PATENTS OR PATENTS APPLIED FOR BY PHOENIX.	4	11.15.22	Updated Section R-R direction	TCS				
	3	03.29.19	Corrected "S-1 @ THD STRT" Dimension	DN				
	2	12.08.15	Added Ratchet Detail B and Sect. RR arrows	TS				
	REV	DATE	DESCRIPTION	BY				
	TOLERANCE	PITCH/TPI	.167 / 6	TURNS	2	MAT'L	HDPE	
	.X	±0.1	DRAWN	DAA	DATE	03.11.13	SCALE	3 : 1
	.XX	±0.02	63 - S01 - TE FINISH				REV	4
	.XXX	±0.010						

**63-S01 BUTTRESS STYLE CLOSURES**

# 63-S01-TE U



RATCHET  
SECTION VIEW R-R  
ALL RATCHETS - LOD  
SCALE: 3 : 2



RATCHET DETAIL B  
8 RATCHETS TYP.  
SCALE: 4 : 1

Sheet 2 of 2

<p>NOTES: (UNLESS OTHERWISE SPECIFIED) 1. ALL DIMENSIONS ARE IN INCHES. 2. SEE CHART FOR DIMENSIONAL TOLERANCE.</p> <p>THIS OR FACSIMILE THEREOF IS THE EXCLUSIVE PROPERTY OF PHOENIX AND MAY NOT BE REPRODUCED WITHOUT THE EXPRESSED WRITTEN CONSENT OF PHOENIX. SOME OR ALL OF THE ITEMS DEPICTED ON THIS DRAWING MAY BE COVERED BY CURRENT PATENTS OR PATENTS APPLIED FOR BY PHOENIX.</p>	4	11.15.22	Updated Section R-R direction	TCS
	3	03.29.19	Corrected "S-1 @ THD STRT" Dimension	DN
	2	12.08.15	Added Ratchet Detail B and Sect. RR arrows	TS
	REV	DATE	DESCRIPTION	BY
	TOLERANCE	PITCH/TPI .167 / 6	TURNS 2	MAT'L HDPE
	.X ±0.1	DRAWN DAA	DATE 03.11.13	SCALE 3 : 1
	.XX ±0.02	63 - S01 - TE FINISH		REV
	.XXX ±0.010			4