

63-S01 BUTTRESS STYLE CLOSURES

63-S01-CRC U



Specifications:

DIAMETER 63 mm

THREAD PROFILE S01

NECK FINISH 63-S01

CLOSURE TOP Embossed

MATERIAL PP

PACKAGING & FREIGHT INFORMATION

PACK TYPE	PCS/CTN	CTNS/PALT	PCS/PALT	CTN WT*	PALT WT*	FRT CLASS
Bulk	800	15	12,000	27 ⁽¹⁾	408 ⁽¹⁾	100 ⁽¹⁾
Bulk	800	15	12,000	29 ⁽²⁾	441 ⁽²⁾	100 ⁽²⁾
CARTON DIMENSIONS: 24 x 16 x 15			PALLET DIMENSIONS: 48 x 40 x 50			

(1) Unlined Closures (2) Lined Closures *Approximate

MARKETS

Food, Food Oil/Service, Household Chemicals, Automotive, Agricultural, and Industrial Products.

OPTIONS

Available in white, standard colors and custom colors.

CLOSURE BENEFITS

- A proven closure for the Food Oil and Agricultural Chemical markets



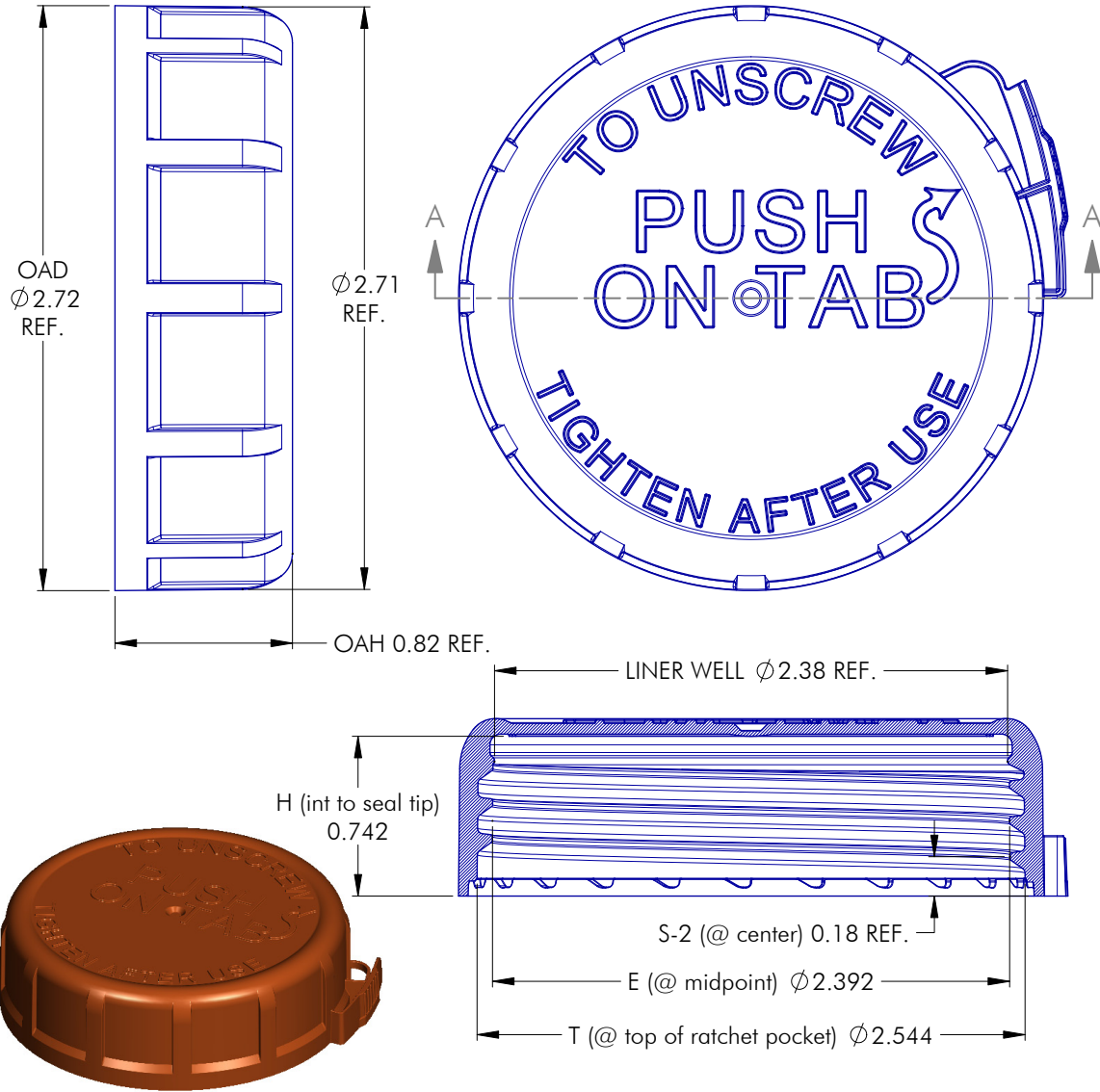
PHOENIX™

PHXPKG.COM

P 630 420 4750 E greatpkg@phxpkg.com
975 Meridian Lake Drive • Aurora, IL 60504

63-S01 BUTTRESS STYLE CLOSURES

63-S01-CRC U



NOTES: (UNLESS OTHERWISE SPECIFIED)				3	04.15.13	Update Shoulder to Add Strength	DN		
1. ALL DIMENSIONS ARE IN INCHES.				REV	DATE	DESCRIPTION	BY		
2. SEE CHART FOR DIMENSIONAL TOLERANCE.									
THIS OR FACSIMILE THEREOF IS THE EXCLUSIVE PROPERTY OF PHOENIX AND MAY NOT BE REPRODUCED WITHOUT THE EXPRESSED WRITTEN CONSENT OF PHOENIX. SOME OR ALL OF THE ITEMS DEPICTED ON THIS DRAWING MAY BE COVERED BY CURRENT PATENTS OR PATENTS APPLIED FOR BY PHOENIX.				TOLERANCE	PITCH/TPI .167 / 6	TURNS ~2	MAT'L PP		
				.X \pm 0.1	DRAWN DMN	DATE 01.16.12	SCALE 3 : 2	REV	
				.XX \pm 0.02	63 - S01 - CRC U				3
				.XXX \pm 0.010					

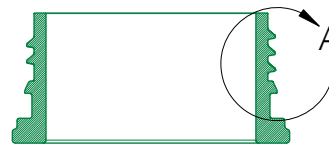
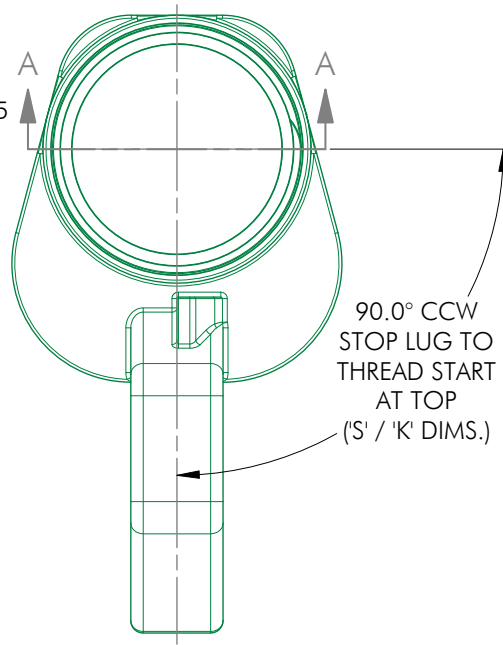
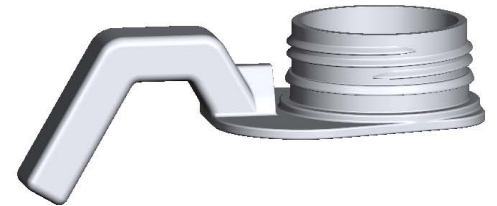
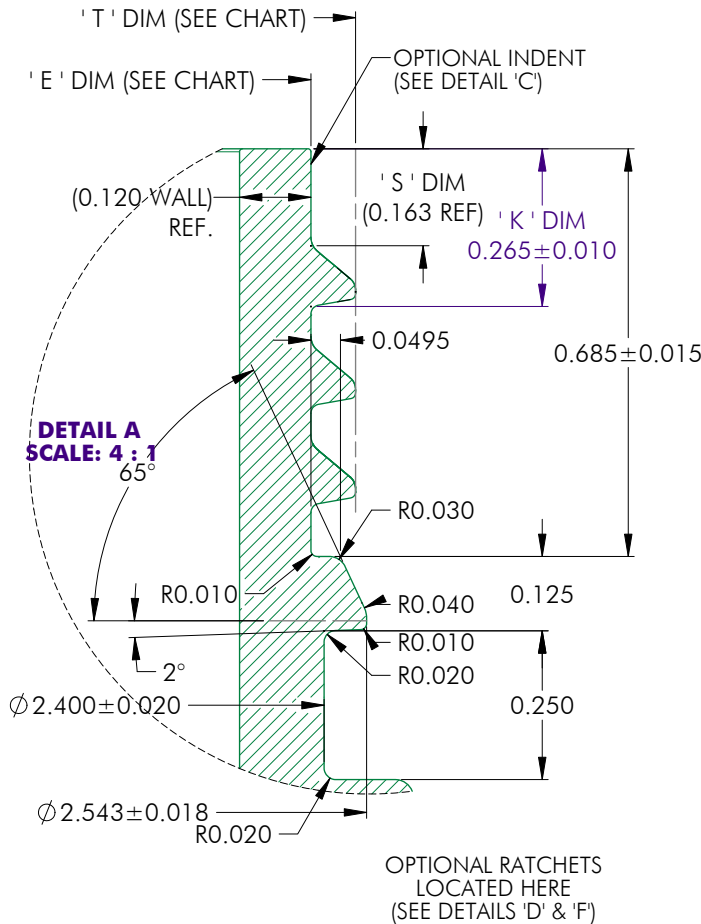


PHXPKG.COM

P 630 420 4750 E greatpkg@phxpkg.com
975 Meridian Lake Drive • Aurora, IL 60504

63-S01 BUTTRESS STYLE CLOSURES

63-S01-CRC U



SPECIFICATION NOTES:

1. THIS FINISH IS DESIGNED TO FUNCTION SPECIFICALLY WITH PCI CLOSURE 63-S01-CRC.
2. CLOSURE APPLICATION TORQUE SPECIFIED AS 30 in.-lb. OR GREATER.
3. LINER THICKNESS SPECIFIED AS 0.030" MIN. TO 0.035" MAX.
4. LINER MATERIAL MAY BE "SURESEAL®", "PULP & FOIL" OR ANY OTHER TYPE OF MATERIAL PROVIDED LINER THICKNESS IS CONSISTENT WITH NOTED SPECIFICATION. OTHER LINER THICKNESSES MAY BE USED AT
5. THE DISCRETION OF THE CUSTOMER BASED ON THE PERFORMANCE OF THEIR SPECIFIC PACKAGING.

MATERIAL	T (mean)	E (mean)	TOLERANCE
PP / PE	2.506	2.356	± 0.018
PET	2.514	2.364	± 0.010
GLASS	0.0000	0.0000	± 0.0000

NOTES: (UNLESS OTHERWISE SPECIFIED)		0	04.05.13	Released	DN					
1. ALL DIMENSIONS ARE IN INCHES.		REV	DATE	DESCRIPTION	BY					
2. SEE CHART FOR DIMENSIONAL TOLERANCE.										
THIS OR FACSIMILE THEREOF IS THE EXCLUSIVE PROPERTY OF PHOENIX AND MAY NOT BE REPRODUCED WITHOUT THE EXPRESSED WRITTEN CONSENT OF PHOENIX. SOME OR ALL OF THE ITEMS DEPICTED ON THIS DRAWING MAY BE COVERED BY CURRENT PATENTS OR PATENTS APPLIED FOR BY PHOENIX.		TOLERANCE	PITCH/TPH	.167 / 6	TURNS	2	MAT'L	PER CHART		
		.X	±0.1	DRAWN	DMN	DATE	04.05.13	SCALE	1 : 1	REV
		.XX	±0.02	63 - S01 - CRC FINISH 0						
		.XXX	±0.010							

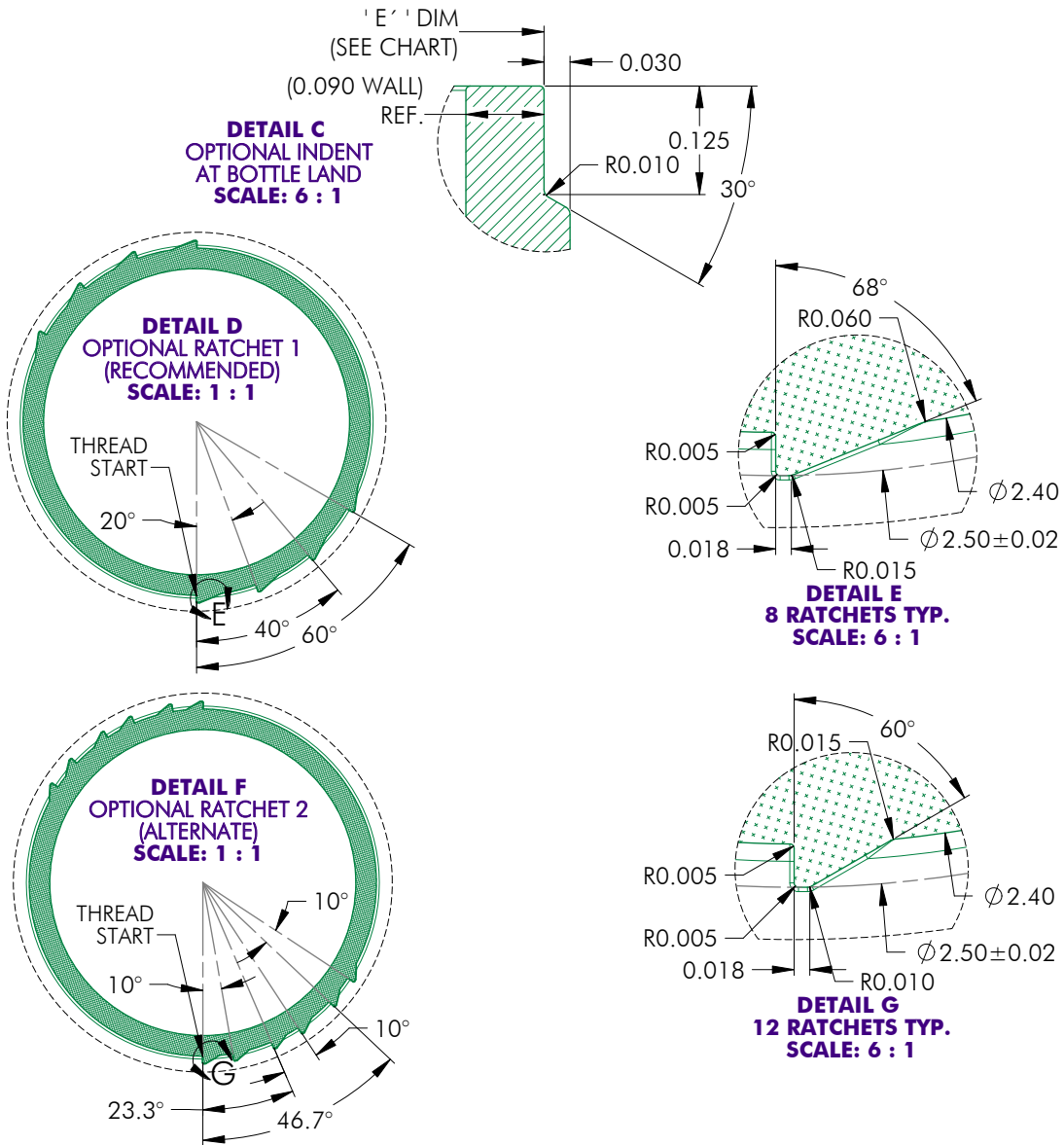


PHXPKG.COM

P 630 420 4750 E greatpkg@phxpkg.com
975 Meridian Lake Drive • Aurora, IL 60504

63-S01 BUTTRESS STYLE CLOSURES

63-S01-CRC U



NOTES: (UNLESS OTHERWISE SPECIFIED) 1. ALL DIMENSIONS ARE IN INCHES. 2. SEE CHART FOR DIMENSIONAL TOLERANCE. THIS OR FACSIMILE THEREOF IS THE EXCLUSIVE PROPERTY OF PHOENIX AND MAY NOT BE REPRODUCED WITHOUT THE EXPRESSED WRITTEN CONSENT OF PHOENIX. SOME OR ALL OF THE ITEMS DEPICTED ON THIS DRAWING MAY BE COVERED BY CURRENT PATENTS OR PATENTS APPLIED FOR BY PHOENIX.	0	04.05.18	Released	DN					
	REV	DATE	DESCRIPTION	BY					
	TOLERANCE	PITCH/TPI	.167 / 6	TURNS	2	MAT'L PER CHART			
	.X	±0.1	DRAWN	DMN	DATE	04.05.13	SCALE	1 : 1	REV
.XX	±0.02	63 - S01 - CRC FINISH							0
.XXX	±0.010								



PHXPKG.COM

P 630 420 4750 E greatpkg@phxpkg.com
 975 Meridian Lake Drive • Aurora, IL 60504