

63-S01 BUTTRESS STYLE CLOSURES

63-S01-9312 U



Specifications:

DIAMETER 63 mm
THREAD PROFILE S01
NECK FINISH 63-S01
CLOSURE TOP Smooth
MATERIAL PP, PCR PP

PACKAGING & FREIGHT INFORMATION

PACK TYPE	PCS/CTN	CTNS/PALT	PCS/PALT	CTN WT*	PALT WT*	FRT CLASS
Bulk	950	15	14,250	22 ⁽¹⁾	323 ⁽¹⁾	125 ⁽¹⁾
Bulk	950	15	14,250	23 ⁽²⁾	350 ⁽²⁾	125 ⁽²⁾
CARTON DIMENSIONS: 24 x 16 x 15			PALLET DIMENSIONS: 48 x 40 x 50			

(1) Unlined Closures (2) Lined Closures *Approximate

MARKETS

Food, Food Oil/Service, Household Chemicals, Automotive, Agricultural, and Industrial Products

CLOSURE BENEFITS

- A proven closure for the Food Oil and Agricultural Chemical markets
- Easy-to-grip defined ribs

OPTIONS

Available in white, standard colors, and custom colors.

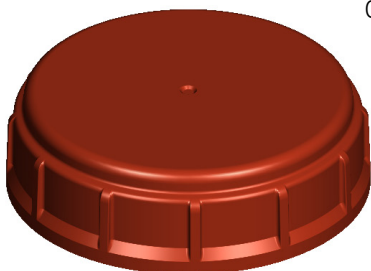
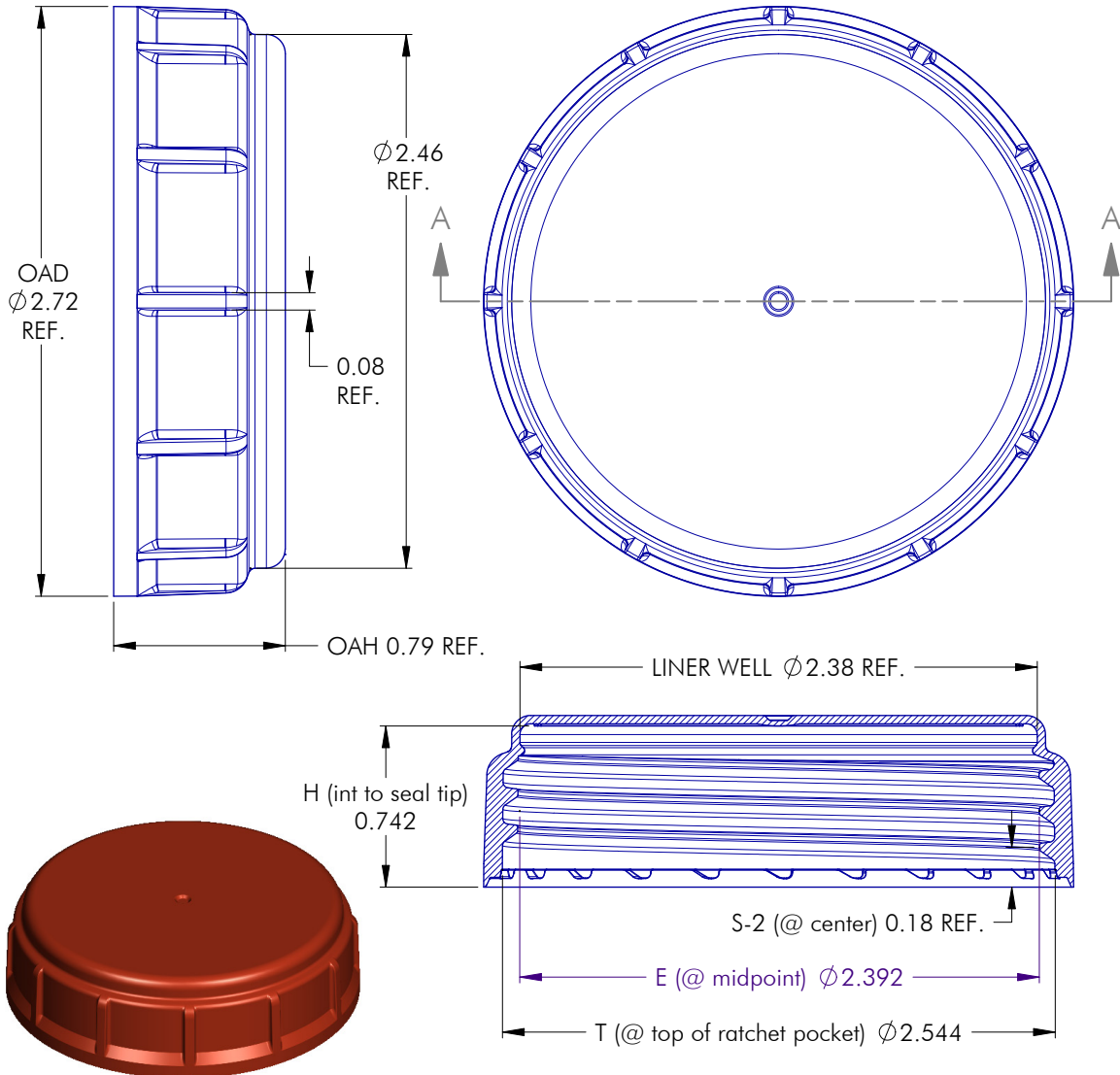
Can be lined with a wide variety of liner systems including SureSeal (foam), pressure sensitive and heat induction (foil) liners.

Offset printing is available in up to four colors.

Optional 25–30% food-contact PCR PP material available.

63-S01 BUTTRESS STYLE CLOSURES

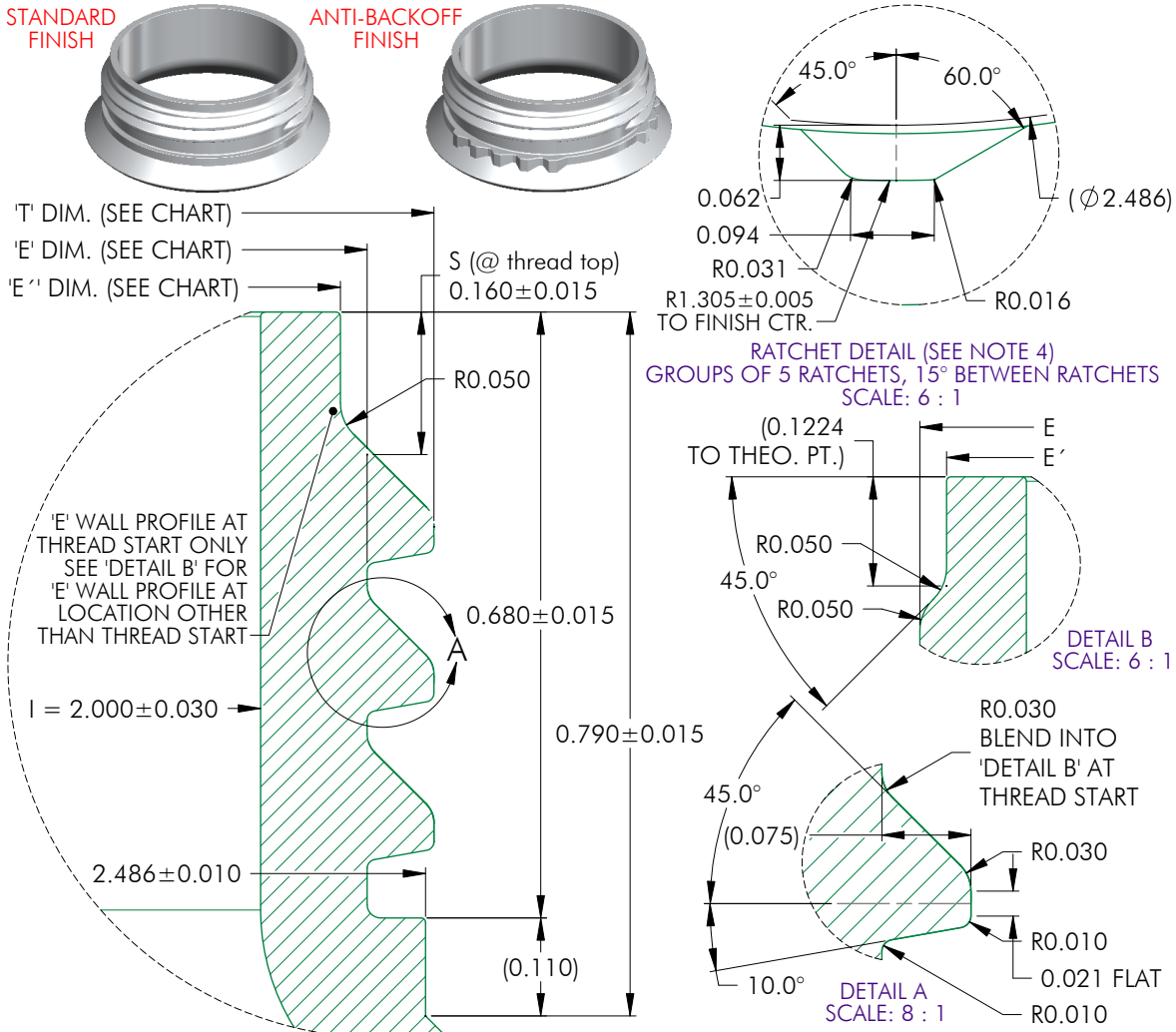
63-S01-9312 U



NOTES: (UNLESS OTHERWISE SPECIFIED) 1. ALL DIMENSIONS ARE IN INCHES. 2. SEE CHART FOR DIMENSIONAL TOLERANCE.				3	07.28.17	Update Dimensions	TS
REV	DATE	DESCRIPTION				BY	
TOLERANCE		PITCH/TPI	.167 / 6	TURNS	~2	MAT'L	PP
.X	±0.1	DRAWN	DMN	DATE	08.13.08	SCALE	3 : 2
.XX	±0.02	63 - S01 - 9312 U				REV	3
.XXX	±0.010						

63-S01 BUTTRESS STYLE CLOSURES

63-S01-9312 U



- NOTES: (UNLESS OTHERWISE SPECIFIED)
1. ALL DIMENSIONS ARE IN INCHES.
 2. SEE CHART FOR TOLERANCE ON ALL DIMENSIONS.
 3. THIS FINISH IS DESIGNED FOR USE WITH ALL PHOENIX 63-S01-XXX CLOSURES EXCEPT FOR 63-S01-2002.
 4. RATCHETS USED w/ ANTI-BACKOFF STYLE ONLY. THIS FEATURE NOT INCLUDED w/ STD FINISH. MAY ALTER GROUP POSITION FOR EASE OF MOLDING BUT RATCHETS MUST REMAIN IN GROUPS OF 5 AS DEPICTED ON PRINT.

MATERIAL	T (mean)	E (mean)	TOLERANCE
PP / PE	2.505	2.355	± 0.017
PET	2.505	2.355	± 0.010
GLASS	0.0000	0.0000	± 0.0000

NOTES: (UNLESS OTHERWISE SPECIFIED)			
1. ALL DIMENSIONS ARE IN INCHES.			
2. SEE CHART FOR DIMENSIONAL TOLERANCE.			
1	06.05.08	Smoothed Sharp Flat Step in @ E Wall	DN
REV	DATE	DESCRIPTION	BY
TOLERANCE		PITCH/TP/1.167 / 6 TURNS	2 MAT'L PER CHART
.X	±0.1	DRAWN DMN	DATE 02.05.03 SCALE 6 : 1 REV
.XX	±0.02	63 - S01 - FINISH	
.XXX	±0.010		