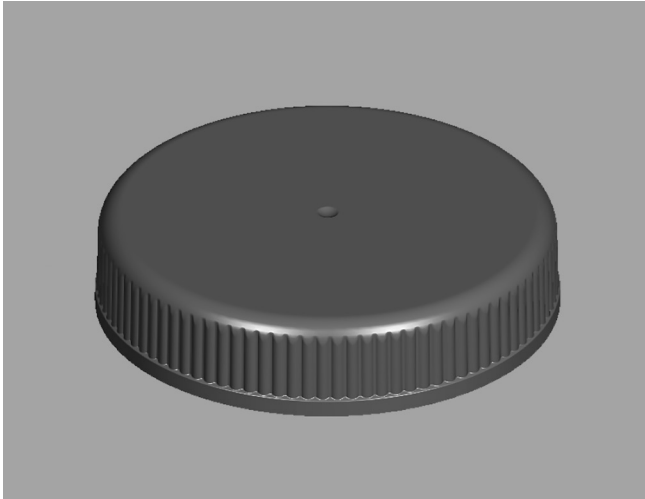


## CHILD-RESISTANT CLOSURES

# 63-CRC-STBK A Vista®



## Specifications:

**DIAMETER** 63 mm

**THREAD PROFILE** CRC

**NECK FINISH** 63-CRC

**CLOSURE TOP** Stipple

**CLOSURE SIDEWALL** Smatte™

**MATERIAL** PP

## PACKAGING & FREIGHT INFORMATION

PACK TYPE	PCS/CTN	CTNS/PALT	PCS/PALT	CTN WT*	PALT WT*	FRT CLASS
Bulk	1,000	15	15,000	32 <sup>(1)</sup>	480 <sup>(1)</sup>	100 <sup>(1)</sup>
Bulk	1,000	15	15,000	32 <sup>(2)</sup>	480 <sup>(2)</sup>	100 <sup>(2)</sup>
<b>CARTON DIMENSIONS:</b> 24 x 16 x 15			<b>PALLET DIMENSIONS:</b> 48 x 40 x 50			

(1) Unlined Closures (2) Lined Closures \*Approximate

## MARKETS

Vitamins, Nutraceuticals, Pharmaceuticals, Supplements, Agricultural Products, Automotive Products, Household Chemicals, Cosmetics, Industrial Products, Cannabis, and Nutritional Powders

## OPTIONS

Available in white, standard, and custom colors. Can be lined with a wide variety of liner systems including SureSeal (foam), pressure sensitive.

## CLOSURE BENEFITS

- Offers child-resistance feature
- Vista® CRC
- Push-and-turn
- Popular for vitamins & nutraceuticals



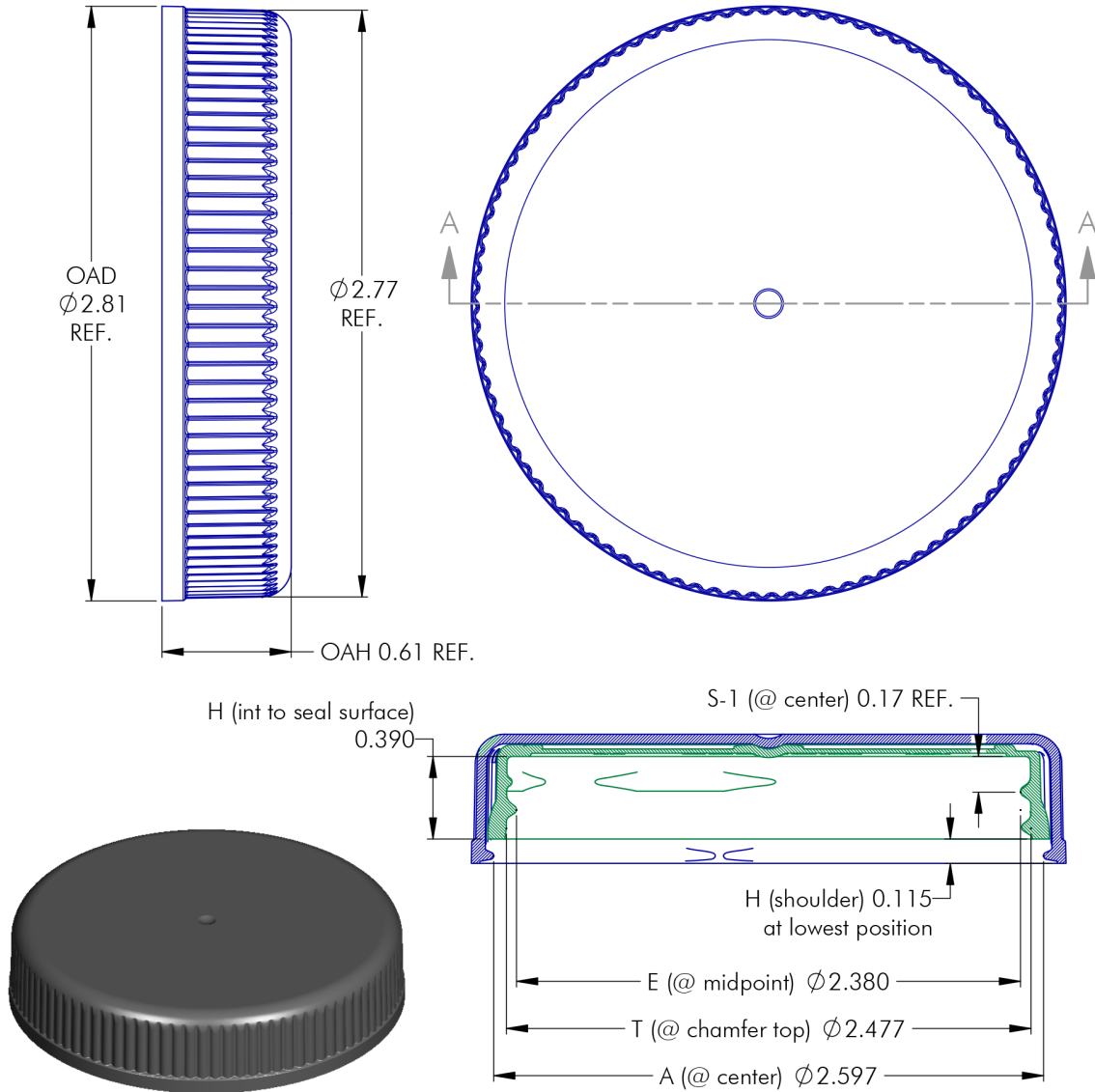
**PHOENIX™**

PHXPKG.COM

P 630 420 4750 E greatpkg@phxpkg.com  
975 Meridian Lake Drive • Aurora, IL 60504

CHILD-RESISTANT CLOSURES

# 63-CRC-STBK A Vista®



NOTES: (UNLESS OTHERWISE SPECIFIED)				4	11.04.19	Adjust OD of Inner Component Mold	DN	
1. ALL DIMENSIONS ARE IN INCHES.				REV	DATE	DESCRIPTION	BY	
2. SEE CHART FOR DIMENSIONAL TOLERANCE.								
THIS OR FACSIMILE THEREOF IS THE EXCLUSIVE PROPERTY OF PHOENIX AND MAY NOT BE REPRODUCED WITHOUT THE EXPRESSED WRITTEN CONSENT OF PHOENIX. SOME OR ALL OF THE ITEMS DEPICTED ON THIS DRAWING MAY BE COVERED BY CURRENT PATENTS OR PATENTS APPLIED FOR BY PHOENIX.				TOLERANCE	PITCH/TPI .167 / 6	TURNS 356°	MAT'L PP	
				.X $\pm 0.1$	DRAWN DMN	DATE 09.02.16	SCALE 3 : 2	REV
				.XX $\pm 0.02$	63 - CRC - STBK S 4			
				.XXX $\pm 0.010$				

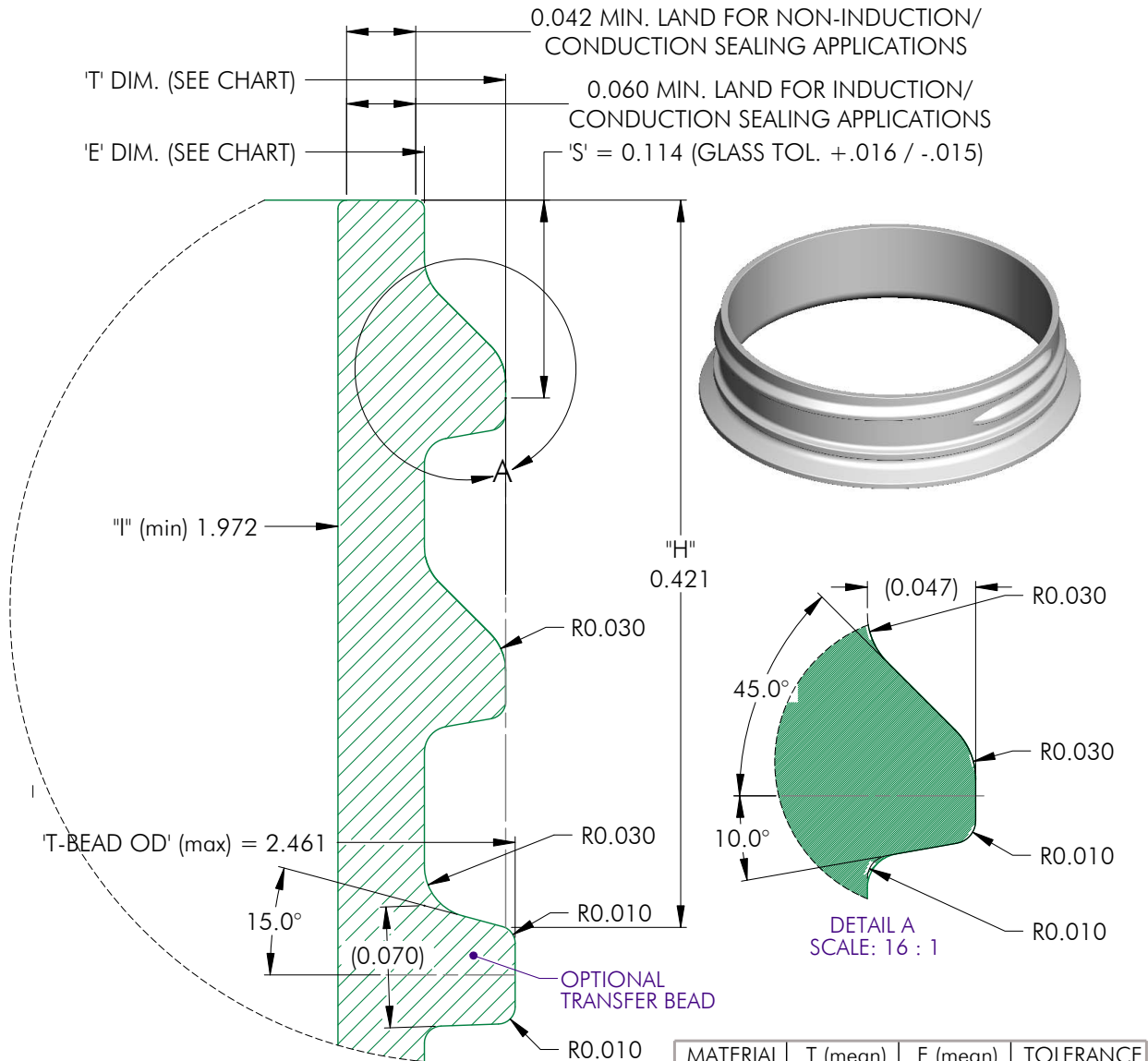


PHXPKG.COM

P 630 420 4750 E greatpkg@phxpkg.com  
975 Meridian Lake Drive • Aurora, IL 60504

CHILD-RESISTANT CLOSURES

# 63-CRC-STBK A Vista®



MATERIAL	T (mean)	E (mean)	TOLERANCE
PP / PE	2.4435	2.3495	± 0.0175
PET	2.451	2.357	± 0.010
GLASS	0.0000	0.0000	± 0.0000

NOTES: (UNLESS OTHERWISE SPECIFIED) 1. ALL DIMENSIONS ARE IN INCHES. 2. SEE CHART FOR DIMENSIONAL TOLERANCE.  THIS OR FACSIMILE THEREOF IS THE EXCLUSIVE PROPERTY OF PHOENIX AND MAY NOT BE REPRODUCED WITHOUT THE EXPRESSED WRITTEN CONSENT OF PHOENIX. SOME OR ALL OF THE ITEMS DEPICTED ON THIS DRAWING MAY BE COVERED BY CURRENT PATENTS OR PATENTS APPLIED FOR BY PHOENIX.	0	09.08.07	Released	DN	
	REV	DATE	DESCRIPTION	BY	
	TOLERANCE	PITCH/TPI	6 / 0	TURNS	1-1/2
	.X ±0.1	DRAWN	DMN	DATE	09.08.07
.XX ±0.02	SCALE	12 : 1	REV	0	
.XXX ±0.010	63 - 400 - FINISH				



PHXPKG.COM  
 P 630 420 4750 E greatpkg@phxpkg.com  
 975 Meridian Lake Drive • Aurora, IL 60504