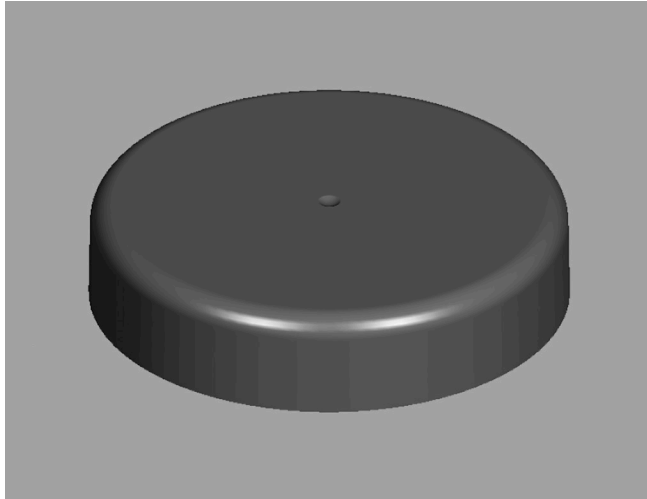


**VISTA CHILD-RESISTANT CLOSURES**

# 63-CRC-SMBK A



## Specifications:

**DIAMETER** 63 mm

**NECK FINISH** 63-400

**CLOSURE TOP** Smatte™

**CLOSURE SIDEWALL** Smatte™

**MATERIAL** PP, PCR PP

### PACKAGING & FREIGHT INFORMATION

PACK TYPE	PCS/CTN	CTNS/PALT	PCS/PALT	CTN WT*	PALT WT*	FRT CLASS
Bulk	1,000	15	15,000	32 <sup>(1)</sup>	480 <sup>(1)</sup>	100 <sup>(1)</sup>
Bulk	1,000	15	15,000	32 <sup>(2)</sup>	480 <sup>(2)</sup>	100 <sup>(2)</sup>
<b>CARTON DIMENSIONS: 24 x 16 x 15</b>			<b>PALLET DIMENSIONS: 48 x 40 x 50</b>			

(1) Unlined Closures (2) Lined Closures \*Approximate

### MARKETS

Vitamins, Nutraceuticals, Pharmaceuticals, Supplements, Agricultural, Automotive, Household Chemicals, Cosmetics, Industrial, Cannabis, and Nutritional Powders

### OPTIONS

Available in white, standard, and custom colors. Can be lined with a wide variety of liner systems including SureSeal (foam). Multiple PCR materials available with food-contact and non-food options up to 100% PCR content.

### CLOSURE BENEFITS

- Patented Smatte™ finish for a sleek look
- Offers child-resistance feature
- Vista® 2-piece CRC
- Push-and-turn
- Popular for vitamins & nutraceuticals
- Blank Top

For blank CRC closures, the customer is responsible for providing opening and closing instructions with the final package upon sale

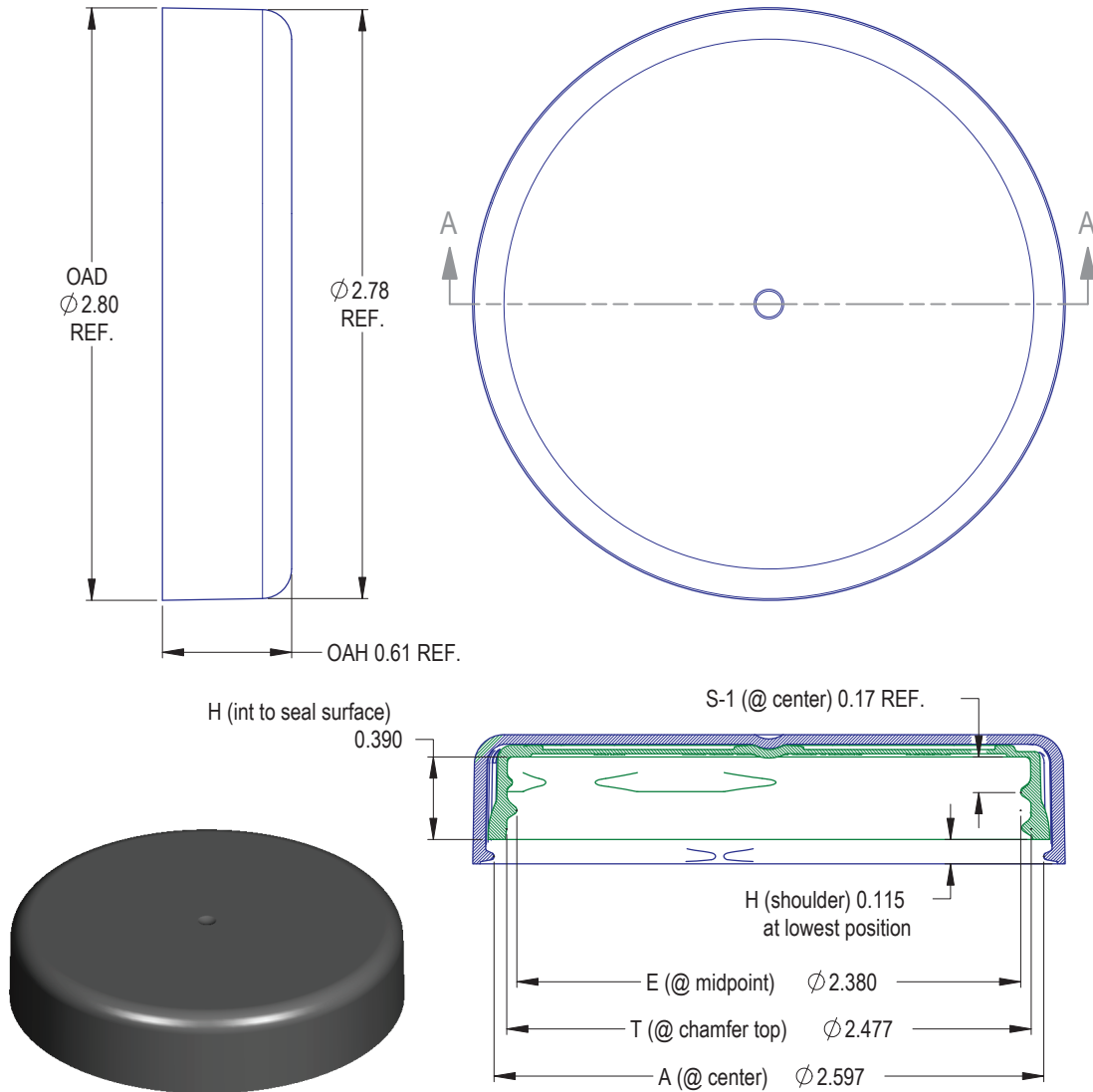


PHXPKG.COM

P 630 420 4750 E greatpkg@phxpkg.com  
975 Meridian Lake Drive • Aurora, IL 60504

**VISTA CHILD-RESISTANT CLOSURES**

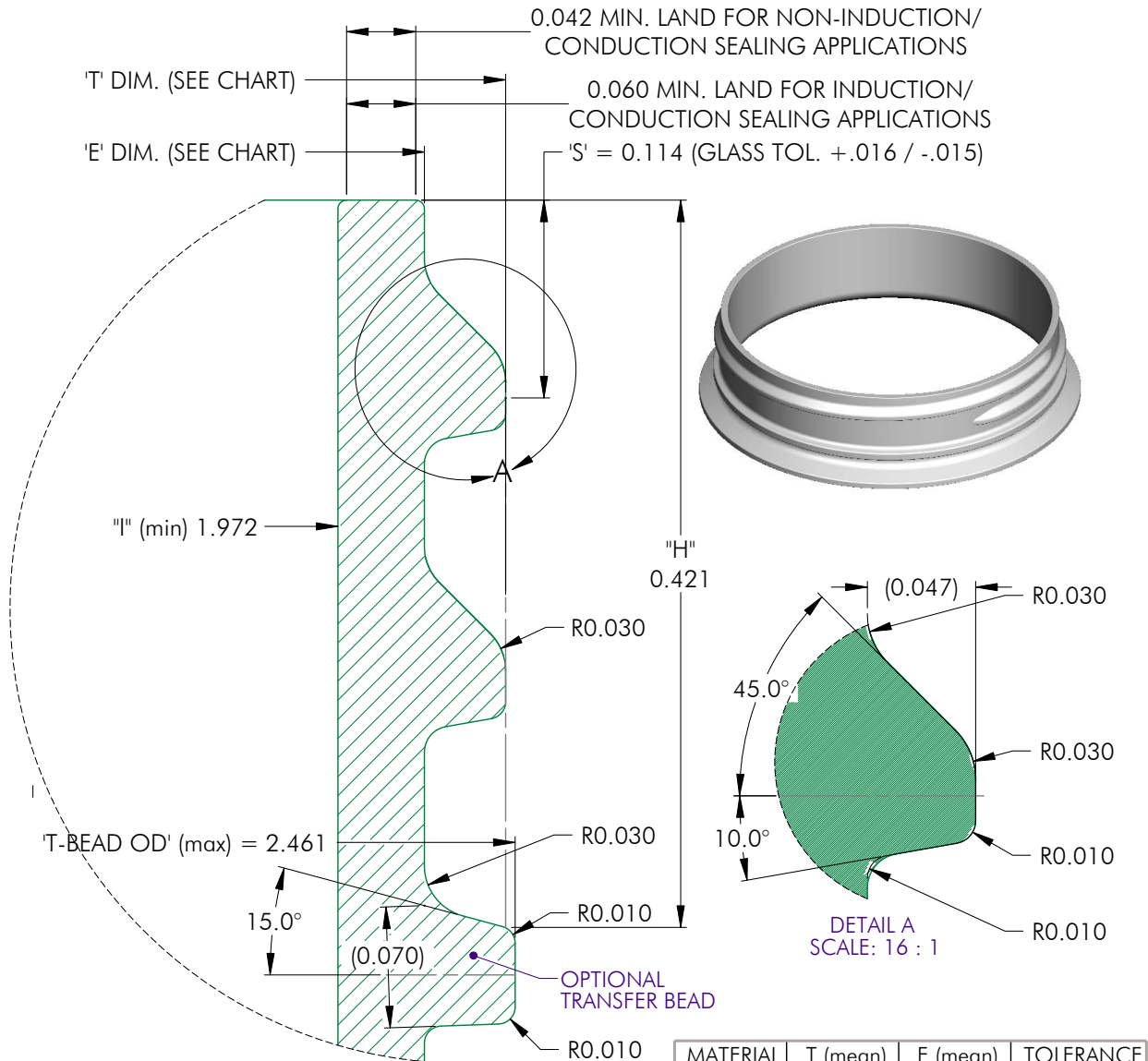
# 63-CRC-SMBK A



NOTES: (UNLESS OTHERWISE SPECIFIED)				1	11.04.19	Adjust OD of Inner Component Mold	DN		
1. ALL DIMENSIONS ARE IN INCHES.				REV	DATE	DESCRIPTION	BY		
2. SEE CHART FOR DIMENSIONAL TOLERANCE.									
THIS OR FACSIMILE THEREOF IS THE EXCLUSIVE PROPERTY OF PHOENIX AND MAY NOT BE REPRODUCED WITHOUT THE EXPRESSED WRITTEN CONSENT OF PHOENIX. SOME OR ALL OF THE ITEMS DEPICTED ON THIS DRAWING MAY BE COVERED BY CURRENT PATENTS OR PATENTS APPLIED FOR BY PHOENIX.				TOLERANCE	PITCH/TPI .167 / 6	URNS 356°	MAT'L PP		
				.X $\pm 0.1$	DRAWN DMN	DATE 09.02.16	SCALE 3 : 2	REV	
				.XX $\pm 0.02$	63 - CRC - SMBK S				1
				.XXX $\pm 0.010$					

VISTA CHILD-RESISTANT CLOSURES

# 63-CRC-SMBK A



MATERIAL	T (mean)	E (mean)	TOLERANCE
PP / PE	2.4435	2.3495	± 0.0175
PET	2.451	2.357	± 0.010
GLASS	0.0000	0.0000	± 0.0000

<p>NOTES: (UNLESS OTHERWISE SPECIFIED)          1. ALL DIMENSIONS ARE IN INCHES.          2. SEE CHART FOR DIMENSIONAL TOLERANCE.</p> <p>THIS OR FACSIMILE THEREOF IS THE EXCLUSIVE PROPERTY OF PHOENIX AND MAY NOT BE REPRODUCED WITHOUT THE EXPRESSED WRITTEN CONSENT OF PHOENIX. SOME OR ALL OF THE ITEMS DEPICTED ON THIS DRAWING MAY BE COVERED BY CURRENT PATENTS OR PATENTS APPLIED FOR BY PHOENIX.</p>	0	09.08.07	Released	DN					
	REV	DATE	DESCRIPTION	BY					
	TOLERANCE	PITCH/TPI	6 / 0	TURNS	1-1/2	MAT'L	SEE CHART		
	.X	±0.1	DRAWN	DMN	DATE	09.08.07	SCALE	12 : 1	REV

63 - 400 - FINISH