

SHALLOW SKIRTED CLOSURES

63-400-6213 S



Specifications:

DIAMETER 63 mm
THREAD PROFILE 400
NECK FINISH 63-400
CLOSURE TOP Stipple
CLOSURE SIDEWALL Fine Ribbed
MATERIAL PP, PCR PP

PACKAGING & FREIGHT INFORMATION

PACK TYPE	PCS/CTN	CTNS/PALT	PCS/PALT	CTN WT*	PALT WT*	FRT CLASS
Bulk	1,500	15	22,500	26 ⁽¹⁾	397 ⁽¹⁾	100 ⁽¹⁾
Bulk	1,500	15	22,500	30 ⁽²⁾	445 ⁽²⁾	100 ⁽²⁾
CARTON DIMENSIONS: 24 x 16 x 15			PALLET DIMENSIONS: 48 x 40 x 50			

(1) Unlined Closures (2) Lined Closures *Approximate

CLOSURE BENEFITS

- A great general-purpose closure
- Fine-ribbed sides are easier to grip
- Our most popular closure style

MARKETS

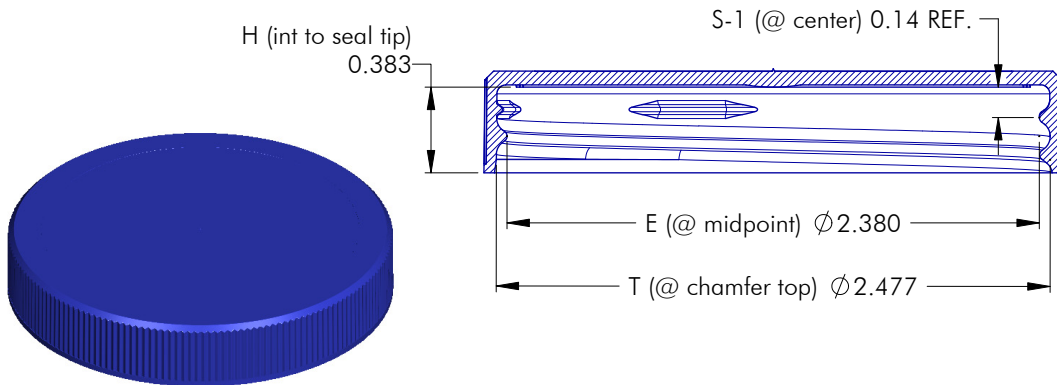
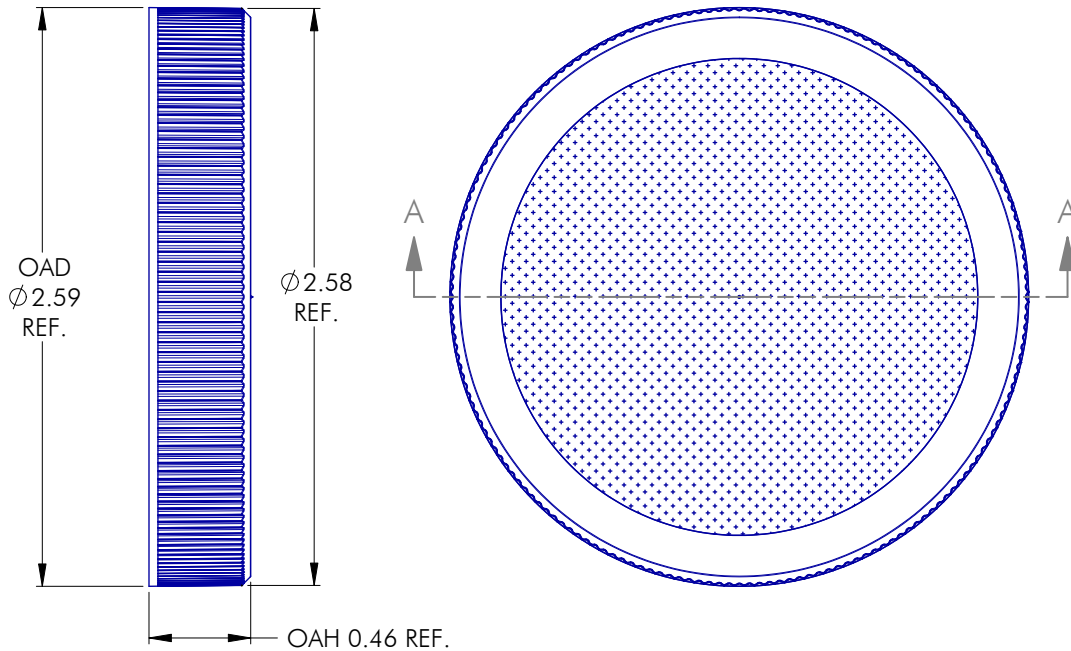
Agricultural, Automotive, Industrial, and Medical Products, Dressings & Sauces, Food, Food Service, Personal Care & Cosmetics, Pharmaceuticals, Nutraceuticals, Non-Dairy Creamer and Soup Base.

OPTIONS

Available in white, standard, and custom colors. Liners can be cut with tri-tab easy-open feature. Can be embossed/debossed with custom message. Offset printing is available in up to four colors. Multiple PCR materials available with food-contact and non-food options up to 100% PCR content.

SHALLOW SKIRTED CLOSURES

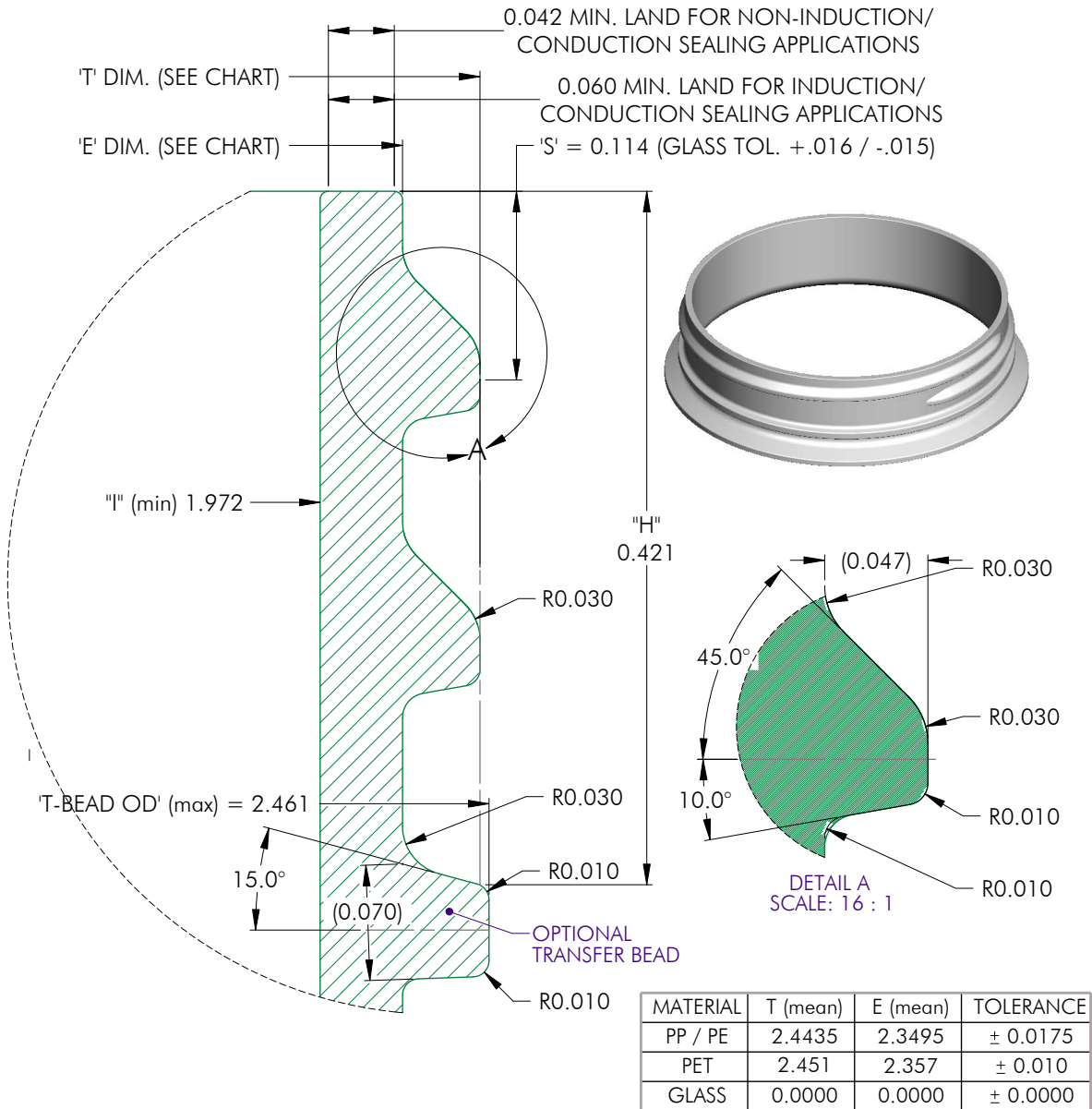
63-400-6213 S



NOTES: (UNLESS OTHERWISE SPECIFIED) 1. ALL DIMENSIONS ARE IN INCHES. 2. SEE CHART FOR DIMENSIONAL TOLERANCE.				6	10.26.04	Update "E" Dimension		DN
REV	DATE	DESCRIPTION					BY	
TOLERANCE		PITCH/TPI	.167 / 6	TURNS	1-1/8	MAT'L	PP	
.X	±0.1	DRAWN	DMN	DATE	06.26.02	SCALE	3 : 2	
.XX	±0.02	63 - 400 - 6213 S					REV	6
.XXX	±0.010							

SHALLOW SKIRTED CLOSURES

63-400-6213 S



MATERIAL	T (mean)	E (mean)	TOLERANCE
PP / PE	2.4435	2.3495	± 0.0175
PET	2.451	2.357	± 0.010
GLASS	0.0000	0.0000	± 0.0000

<p>NOTES: (UNLESS OTHERWISE SPECIFIED) 1. ALL DIMENSIONS ARE IN INCHES. 2. SEE CHART FOR DIMENSIONAL TOLERANCE.</p> <p>THIS OR FACSIMILE THEREOF IS THE EXCLUSIVE PROPERTY OF PHOENIX AND MAY NOT BE REPRODUCED WITHOUT THE EXPRESSED WRITTEN CONSENT OF PHOENIX. SOME OR ALL OF THE ITEMS DEPICTED ON THIS DRAWING MAY BE COVERED BY CURRENT PATENTS OR PATENTS APPLIED FOR BY PHOENIX.</p>	0	09.08.07	Released	DN					
	REV	DATE	DESCRIPTION	BY					
	TOLERANCE	PITCH/TPI	6 / 0	TURNS	1-1/2	MAT'L	SEE CHART		
	.X	±0.1	DRAWN	DMN	DATE	09.08.07	SCALE	12 : 1	REV
	.XX	±0.02	63 - 400 - FINISH					0	
.XXX	±0.010								