

MEDIUM & DEEP SKIRTED CLOSURES

56-445-4901 S



Specifications:

DIAMETER 56 mm
THREAD PROFILE 445
NECK FINISH 56-445
CLOSURE TOP Stipple
CLOSURE SIDEWALL: Broad Ribbed
MATERIAL PP

PACKAGING & FREIGHT INFORMATION

PACK TYPE	PCS/CTN	CTNS/PALT	PCS/PALT	CTN WT*	PALT WT*	FRT CLASS
Bulk	1,075	15	16,125	23 ⁽¹⁾	350 ⁽¹⁾	125 ⁽¹⁾
Bulk	1,200	15	18,000	29 ⁽²⁾	437 ⁽²⁾	100 ⁽²⁾
CARTON DIMENSIONS: 24 x 16 x 15			PALLET DIMENSIONS: 48 x 40 x 50			

(1) Unlined Closures (2) Lined Closures *Approximate

MARKETS

Food, Personal Care & Cosmetics

CLOSURE BENEFITS

- Broad-ribbed sides are easier to grip

OPTIONS

Available in white, standard colors, and custom colors.

Can be lined with a wide variety of liner systems including SureSeal (foam), pressure sensitive, and heat induction (foil) liners.

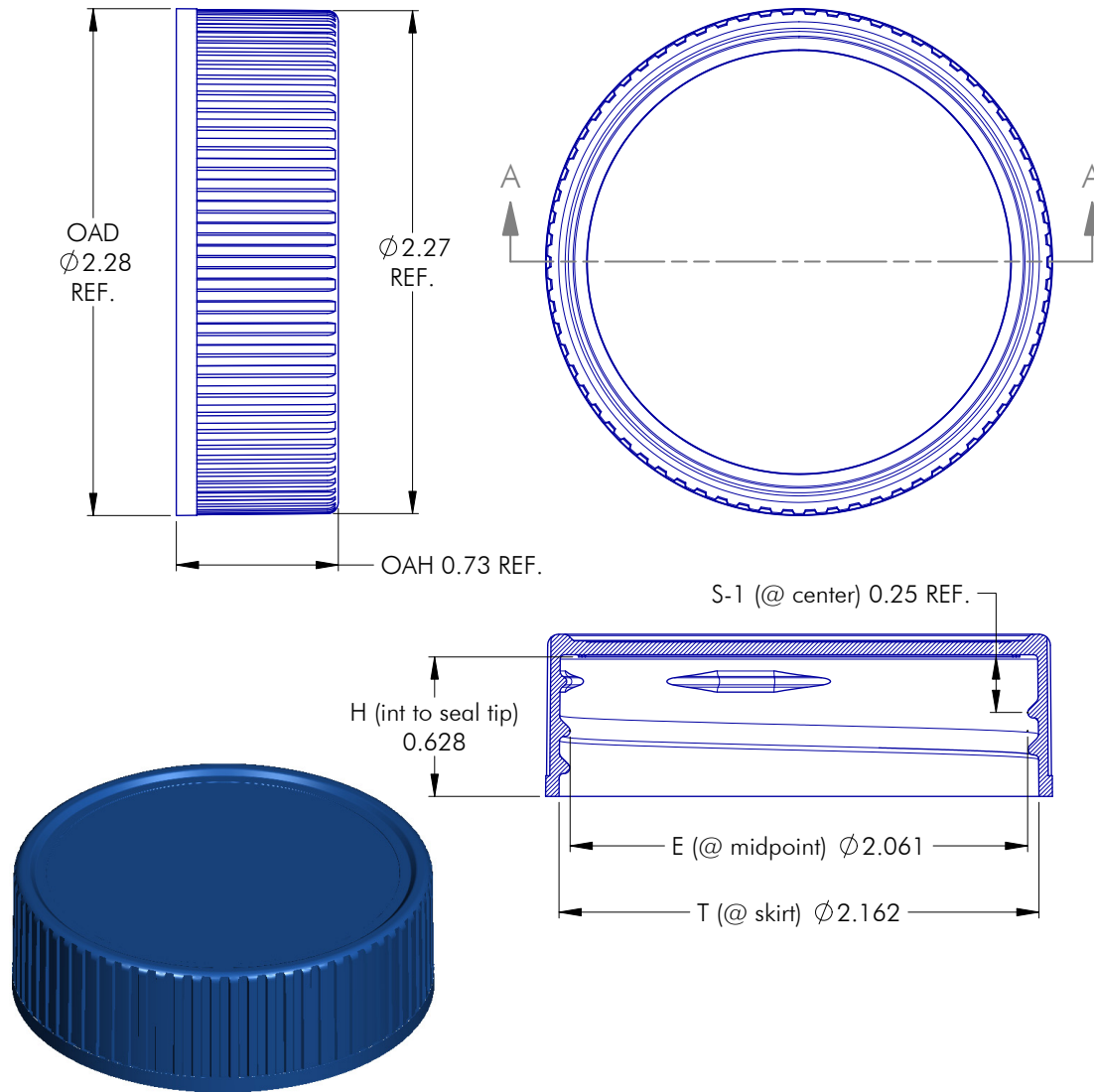
Liners can be cut with a pull-tab easy-open feature.

Can be embossed/debossed with custom message.

Offset printing is available in up to three colors.

MEDIUM & DEEP SKIRTED CLOSURES

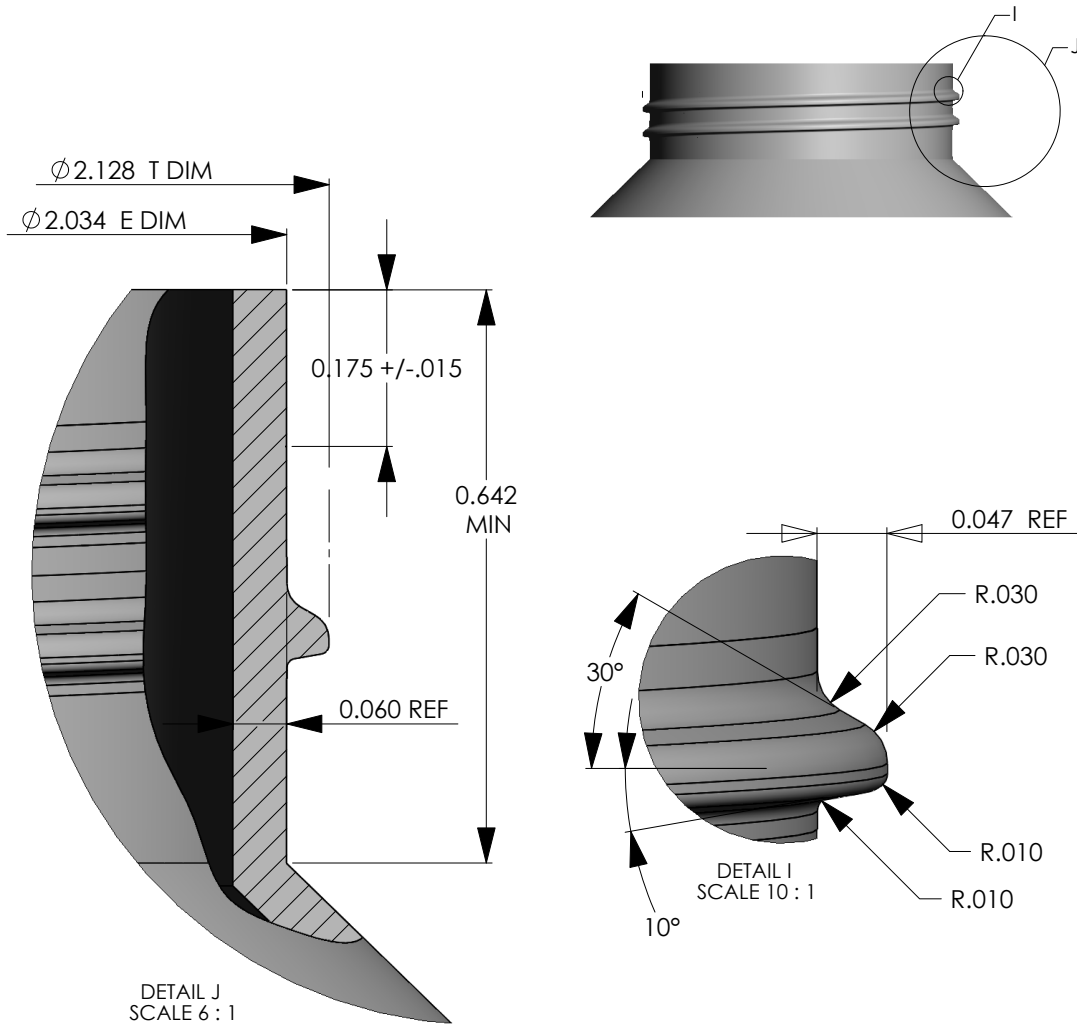
56-445-4901 S



NOTES: (UNLESS OTHERWISE SPECIFIED) 1. ALL DIMENSIONS ARE IN INCHES. 2. SEE CHART FOR DIMENSIONAL TOLERANCE.				1 05.22.02 Modify "S" Dimension	BZ		
REV	DATE	DESCRIPTION		BY			
TOLERANCE		PITCH/TPI	.167 / 6	TURNS	1-1/2	MAT'L	PP
.X	±0.1	DRAWN	BEZ	DATE	12.01.94	SCALE	3 : 2
.XX	±0.02	56 - 445 - 4901 S		REV	1		
.XXX	±0.010						

MEDIUM & DEEP SKIRTED CLOSURES

56-445-4901 S



MATERIAL	T (mean)	E (mean)	TOLERANCE
PP / PE	2.128	2.034	$\pm .0175$
PET	2.128	2.034	$\pm .012$
GLASS	0.0000	0.0000	± 0.0000

NOTES: (UNLESS OTHERWISE SPECIFIED) 1. ALL DIMENSIONS ARE IN INCHES. 2. SEE CHART FOR DIMENSIONAL TOLERANCE.		0	01.14.05	Released	DN
REV	DATE	DESCRIPTION			BY
TOLERANCE	PITCH/TPI	.167 / 6	TURNS	0-0/0	MAT'L XXX
.X ± 0.1	DRAWN	BEZ	DATE	01.14.05	SCALE 2:1 REV
.XX ± 0.02	56 - 445 - FINISH				0
.XXX ± 0.010					