

VISTA CHILD-RESISTANT CLOSURES

53-CRC-STPT A



Specifications:

DIAMETER 53 mm
THREAD PROFILE CRC
NECK FINISH 53-CRC
CLOSURE TOP Debossed Pictogram
CLOSURE SIDEWALL Wide Ribbed
MATERIAL PP

PACKAGING & FREIGHT INFORMATION

PACK TYPE	PCS/CTN	CTNS/PALT	PCS/PALT	CTN WT*	PALT WT*	FRT CLASS
Bulk	1,200	15	18,000	34 ⁽¹⁾	516 ⁽¹⁾	100 ⁽¹⁾
Bulk	1,200	15	18,000	34 ⁽²⁾	516 ⁽²⁾	100 ⁽²⁾
CARTON DIMENSIONS: 24 x 16 x 15			PALLET DIMENSIONS: 48 x 40 x 50			

(1) Unlined Closures (2) Lined Closures *Approximate

MARKETS

Vitamins, Nutraceuticals, Pharmaceuticals, Supplements, Agricultural Products, Automotive Products, Household Chemicals, Cosmetics, Industrial Products, Cannabis, and Nutritional Powders

OPTIONS

Available in white, standard, and custom colors. Can be lined with a wide variety of liner systems including SureSeal (foam). Optional 25-30% food-contact safe material available.

CLOSURE BENEFITS

- Offers child-resistance feature
- Vista® 2-piece CRC
- Push-and-turn
- Popular for vitamins & nutraceuticals
- Debossed with pictogram instructions

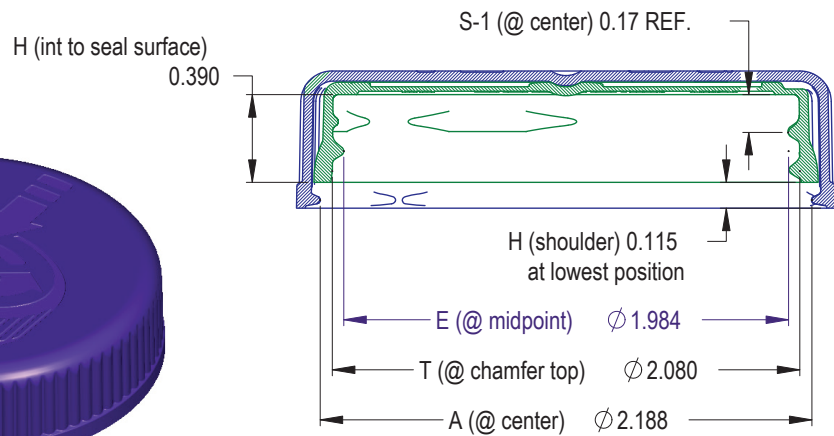
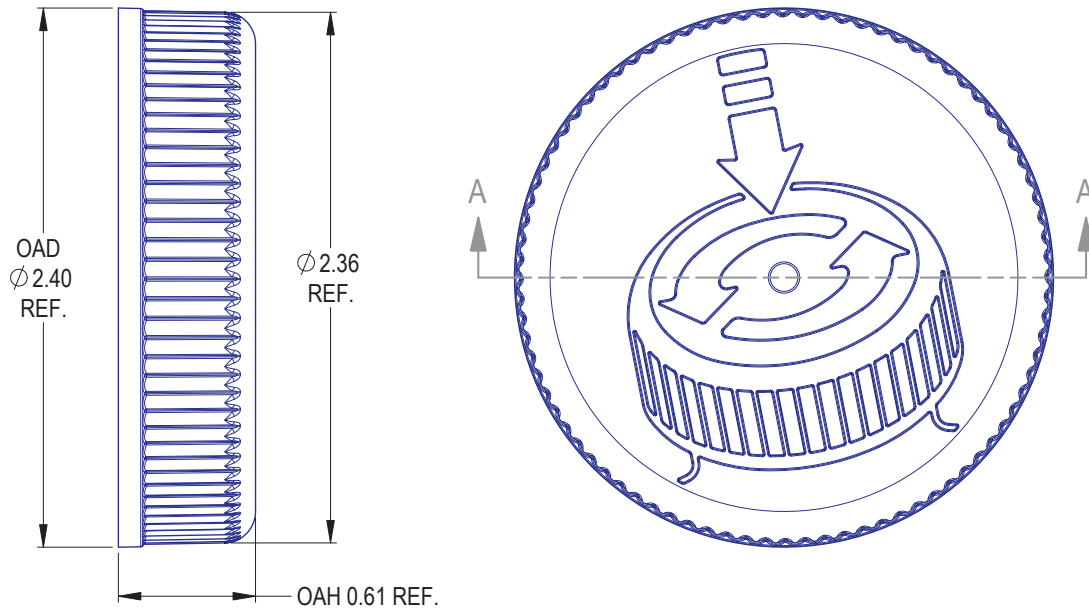


PHXPKG.COM

P 630 420 4750 **E** greatpkg@phxpkg.com
 975 Meridian Lake Drive • Aurora, IL 60504

VISTA CHILD-RESISTANT CLOSURES

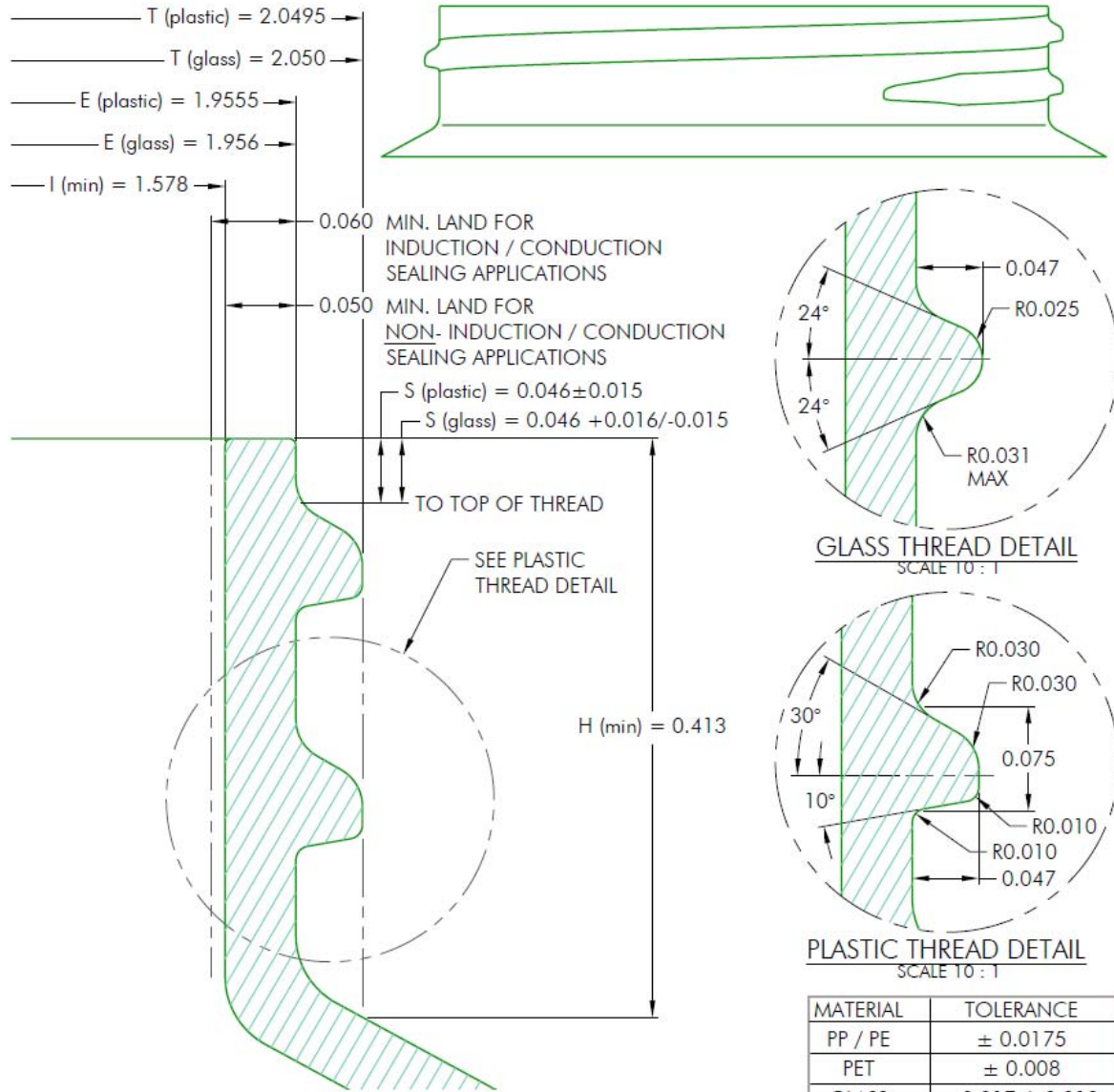
53-CRC-STPT A



NOTES: (UNLESS OTHERWISE SPECIFIED) 1. ALL DIMENSIONS ARE IN INCHES. 2. SEE CHART FOR DIMENSIONAL TOLERANCE.		5	10.19.18	Modify Thread Profile & Ratchet Feature	DN	
		REV	DATE	DESCRIPTION	BY	
THIS OR FACSIMILE THEREOF IS THE EXCLUSIVE PROPERTY OF PHOENIX AND MAY NOT BE REPRODUCED WITHOUT THE EXPRESSED WRITTEN CONSENT OF PHOENIX. SOME OR ALL OF THE ITEMS DEPICTED ON THIS DRAWING MAY BE COVERED BY CURRENT PATENTS OR PATENTS APPLIED FOR BY PHOENIX.		TOLERANCE	PITCH/TPI .167 / 6	TURNS 356°	MAT'L PP	
		.X \pm 0.1	DRAWN DMN	DATE 06.29.16	SCALE 3 : 2	
		.XX \pm 0.02	53 - CRC - STPT (S)			REV
		.XXX \pm 0.010				5

VISTA CHILD-RESISTANT CLOSURES

53-CRC-STPT A



NOTES: (UNLESS OTHERWISE SPECIFIED)		0	10.01.02	Released	BZ
1. ALL DIMENSIONS ARE IN INCHES.		REV	DATE	DESCRIPTION	BY
2. SEE CHART FOR DIMENSIONAL TOLERANCE.		TOLERANCE	PITCH/TPI	1.67 / 6	TURNS
THIS OR FACSIMILE THEREOF IS THE EXCLUSIVE PROPERTY OF PHOENIX AND MAY NOT BE REPRODUCED WITHOUT THE EXPRESSED WRITTEN CONSENT OF PHOENIX. SOME OR ALL OF THE ITEMS DEPICTED ON THIS DRAWING MAY BE COVERED BY CURRENT PATENTS OR PATENTS APPLIED FOR BY PHOENIX.		.X	±0.1	DRAWN	BEZ
		.XX	±0.02	DATE	10.01.02
		.XXX	±0.010	SCALE	10 : 1
		53 - 400 - FINISH			REV