

**VISTA CHILD-RESISTANT CLOSURES**

# 53-CRC-SMTX A



## Specifications:

**DIAMETER** 53 mm  
**THREAD PROFILE** CRC  
**NECK FINISH** 53-CRC  
**CLOSURE TOP** Debossed Text  
**CLOSURE SIDEWALL** Smatte™  
**MATERIAL** PP, PCR PP

**PACKAGING & FREIGHT INFORMATION**

PACK TYPE	PCS/CTN	CTNS/PALT	PCS/PALT	CTN WT*	PALT WT*	FRT CLASS
Bulk	1,200	15	18,000	34 <sup>(1)</sup>	516 <sup>(1)</sup>	100 <sup>(1)</sup>
Bulk	1,200	15	18,000	34 <sup>(2)</sup>	516 <sup>(2)</sup>	100 <sup>(2)</sup>
<b>CARTON DIMENSIONS: 24 x 16 x 15</b>			<b>PALLET DIMENSIONS: 48 x 40 x 50</b>			

(1) Unlined Closures (2) Lined Closures \*Approximate

**MARKETS**

Vitamins, Nutraceuticals, Pharmaceuticals, Supplements, Agricultural Products, Automotive Products, Household Chemicals, Cosmetics, Industrial Products, Cannabis, and Nutritional Powders

**OPTIONS**

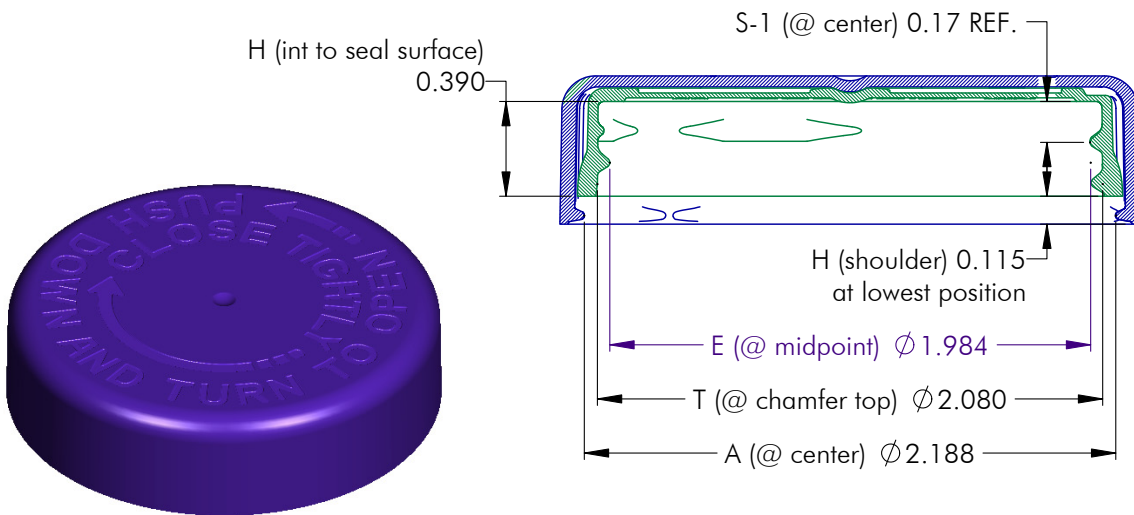
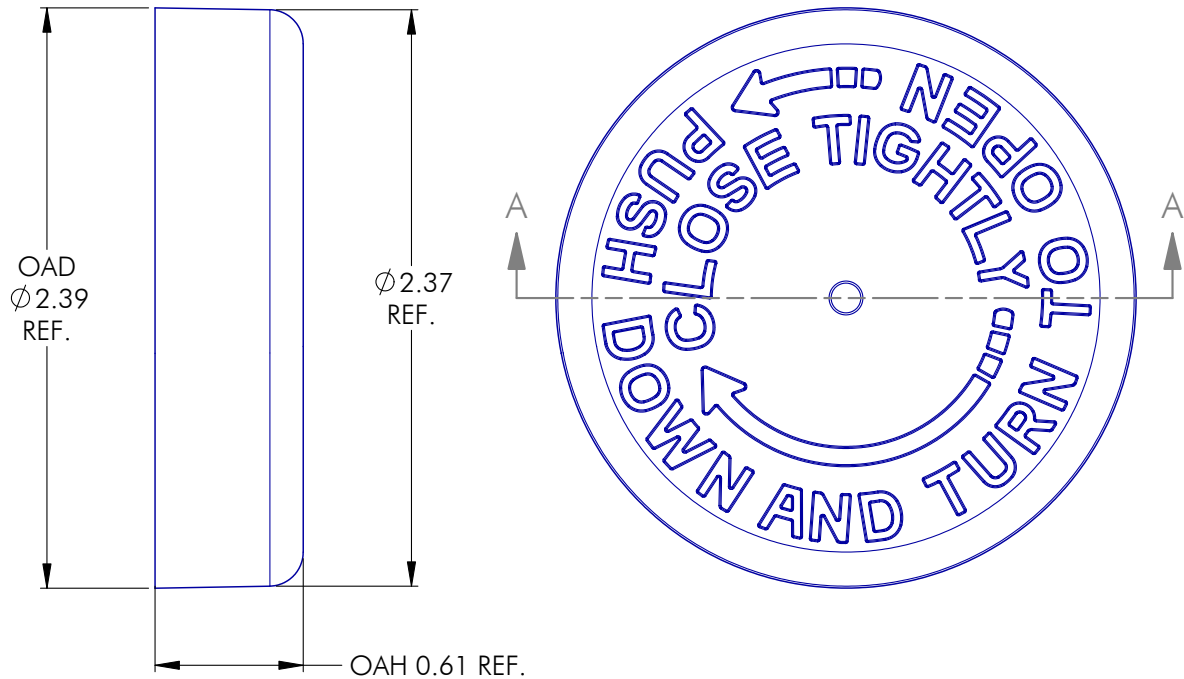
Available in white, standard, and custom colors. Can be lined with a wide variety of liner systems including SureSeal (foam). Optional 25-30% food-contact safe PCR PP material available.

**CLOSURE BENEFITS**

- Patented Smatte™ finish for a sleek look
- Offers child-resistance feature
- Vista® 2-piece CRC
- Debossed with text instructions
- Push-and-turn
- Popular for vitamins & nutraceuticals

**VISTA CHILD-RESISTANT CLOSURES**

# 53-CRC-SMTX A


**NOTES: (UNLESS OTHERWISE SPECIFIED)**

1. ALL DIMENSIONS ARE IN INCHES.
2. SEE CHART FOR DIMENSIONAL TOLERANCE.

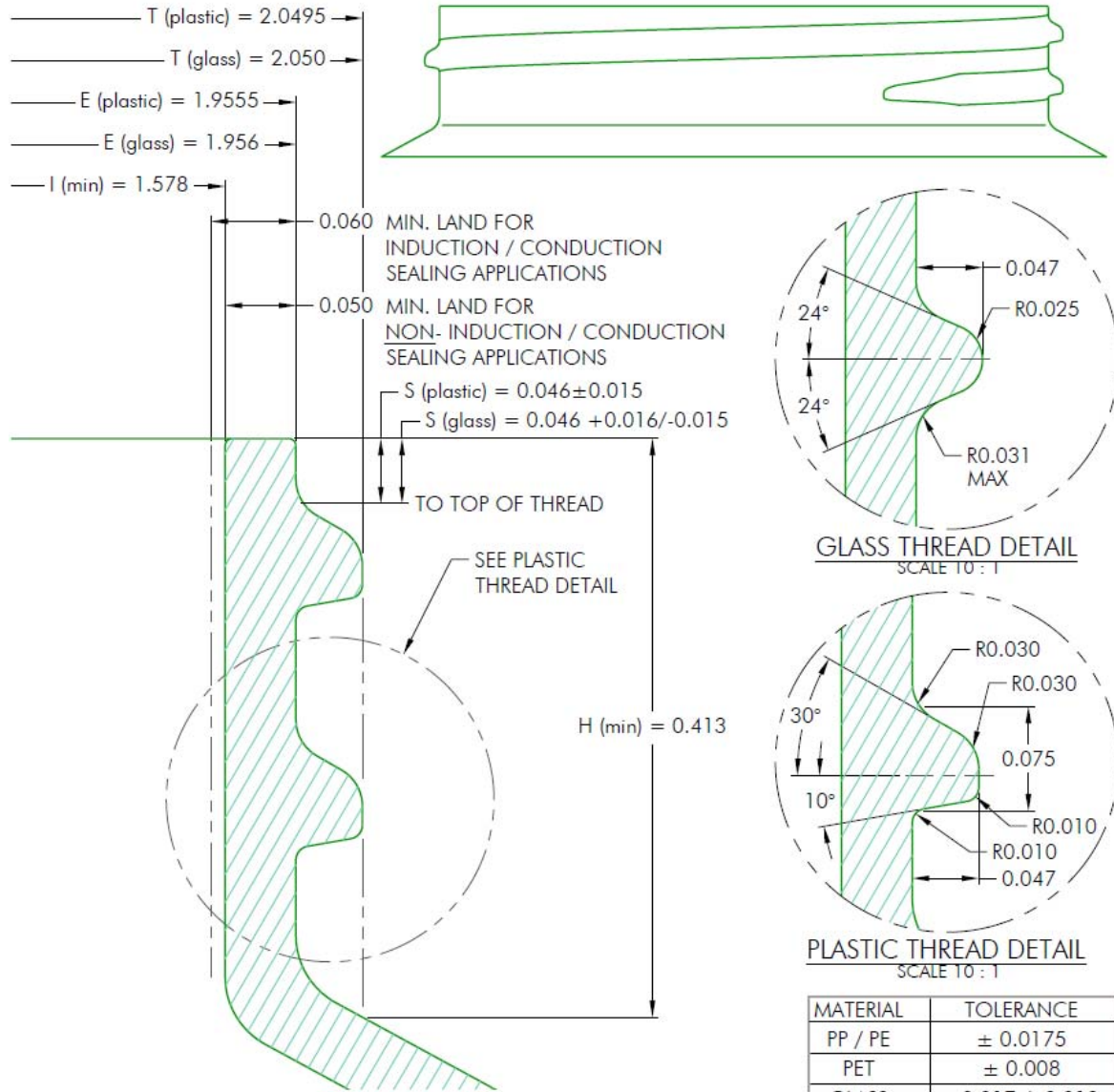
**THIS OR FACSIMILE THEREOF IS THE EXCLUSIVE PROPERTY OF PHOENIX AND MAY NOT BE REPRODUCED WITHOUT THE EXPRESSED WRITTEN CONSENT OF PHOENIX. SOME OR ALL OF THE ITEMS DEPICTED ON THIS DRAWING MAY BE COVERED BY CURRENT PATENTS OR PATENTS APPLIED FOR BY PHOENIX.**

1	04.09.19	Reduce Outer Diameter	LD
REV	DATE	DESCRIPTION	BY
TOLERANCE	PITCH/TPI .167 / 6	TURNS 356°	MAT'L PP
.X ±0.1	DRAWN DMN	DATE 06.29.16	SCALE 3 : 2
.XX ±0.02	53 - CRC - SMTX (S)		REV
.XXX ±0.010			1


**PHOENIX™**
**PHXPKG.COM**
**P 630 420 4750 E greatpkg@phxpkg.com**  
 975 Meridian Lake Drive • Aurora, IL 60504

VISTA CHILD-RESISTANT CLOSURES

# 53-CRC-SMTX A



NOTES: (UNLESS OTHERWISE SPECIFIED)		0	10.01.02	Released	BZ
1. ALL DIMENSIONS ARE IN INCHES.		REV	DATE	DESCRIPTION	BY
2. SEE CHART FOR DIMENSIONAL TOLERANCE.		TOLERANCE	PITCH/TPI	1.67 / 6	TURNS
THIS OR FACSIMILE THEREOF IS THE EXCLUSIVE PROPERTY OF PHOENIX AND MAY NOT BE REPRODUCED WITHOUT THE EXPRESSED WRITTEN CONSENT OF PHOENIX. SOME OR ALL OF THE ITEMS DEPICTED ON THIS DRAWING MAY BE COVERED BY CURRENT PATENTS OR PATENTS APPLIED FOR BY PHOENIX.		.X	±0.1	DRAWN	BEZ
		.XX	±0.02	DATE	10.01.02
		.XXX	±0.010	SCALE	10 : 1
		<b>53 - 400 - FINISH</b>			REV