

CHILD-RESISTANT CLOSURES

53-BAY-SMPT



Specifications:

DIAMETER 53 mm

THREAD PROFILE BAY

NECK FINISH 53-BAY

CLOSURE TOP Debossed

CLOSURE SIDEWALL Smatte™

MATERIAL PP

PACKAGING & FREIGHT INFORMATION

PACK TYPE	PCS/CTN	CTNS/PALT	PCS/PALT	CTN WT*	PALT WT*	FRT CLASS
Bulk	1,200	15	18,000	TBD ⁽²⁾	TBD ⁽²⁾	TBD ⁽²⁾
CARTON DIMENSIONS: 24 x 16 x 15			PALLET DIMENSIONS: 48 x 40 x 50			

(2) Lined Closures *Approximate

MARKETS

Cannabis, Personal Care & Cosmetics, Vitamins, Nutraceuticals, and Nutritional Powders.

OPTIONS

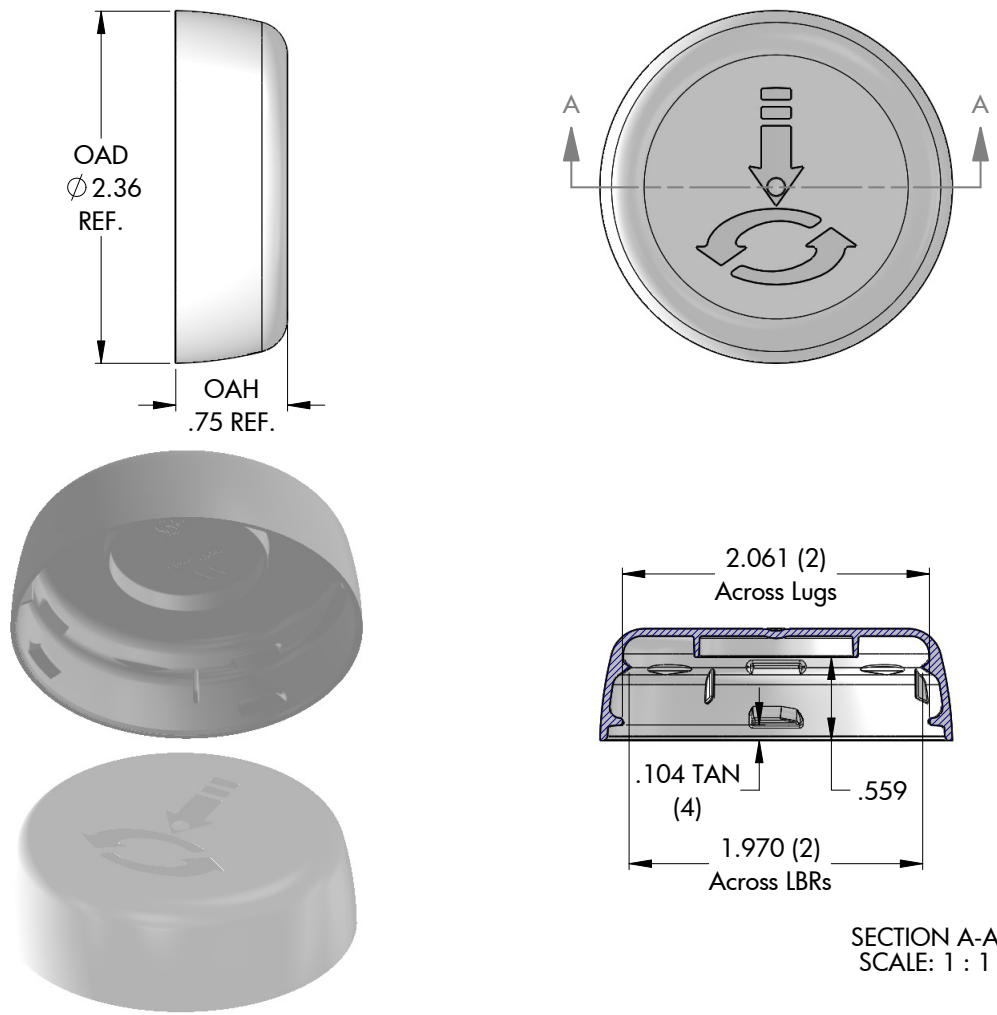
Available in white, standard, and custom colors. Lined with SureSeal for child-resistance feature. Can be lined with heat induction liners.

CLOSURE BENEFITS

- Patented Smatte™ finish for a sleek look
- Popular for the cannabis market
- Debossed with pictogram
- Offers child-resistance feature
- Horizon™ 1-piece CRC
- Needs an adult-sized hand to push down and open

CHILD-RESISTANT CLOSURES

53-BAY-SMPT



SECTION A-A
SCALE: 1 : 1

<p>NOTES: (UNLESS OTHERWISE SPECIFIED) 1. ALL DIMENSIONS ARE IN INCHES. 2. SEE CHART FOR DIMENSIONAL TOLERANCE.</p> <p>THIS OR FACSIMILE THEREOF IS THE EXCLUSIVE PROPERTY OF PHOENIX AND MAY NOT BE REPRODUCED WITHOUT THE EXPRESSED WRITTEN CONSENT OF PHOENIX. SOME OR ALL OF THE ITEMS DEPICTED ON THIS DRAWING MAY BE COVERED BY CURRENT PATENTS OR PATENTS APPLIED FOR BY PHOENIX.</p>	5	03.14.19	Add SMattePicToral (SMPT) version	TS				
	REV	DATE	DESCRIPTION	BY				
	TOLERANCE	PITCH/TPI	N / A	TURNS	N/A	MAT'L	PP	
	.X	+0.1	DRAWN	TCS	DATE	12.19.16	SCALE	2 : 1
.XX	+0.02	53 - BAY - SMPT L				5		
.XXX	+0.010							