

**VISTA CHILD-RESISTANT CLOSURES**

# 45-CRC-STBK A



## Specifications:

**DIAMETER** 45 mm

**THREAD PROFILE** CRC

**NECK FINISH** 45-CRC

**CLOSURE TOP** Stipple, Blank Top

**CLOSURE SIDEWALL** Wide Ribbed

**MATERIAL** PP, PCR PP

### PACKAGING & FREIGHT INFORMATION

| PACK TYPE                              | PCS/CTN | CTNS/PALT | PCS/PALT                               | CTN WT*           | PALT WT*           | FRT CLASS          |
|--|---------|-----------|--|-------------------|--------------------|--------------------|
| Bulk                                   | 1,700   | 15        | 25,500                                 | 36 <sup>(1)</sup> | 537 <sup>(1)</sup> | 100 <sup>(1)</sup> |
| Bulk                                   | 1,700   | 15        | 25,500                                 | 36 <sup>(2)</sup> | 537 <sup>(2)</sup> | 100 <sup>(2)</sup> |
| <b>CARTON DIMENSIONS: 24 x 16 x 15</b> |         |           | <b>PALLET DIMENSIONS: 48 x 40 x 50</b> |                   |                    |                    |

(1) Unlined Closures (2) Lined Closures \*Approximate

### MARKETS

Vitamins, Nutraceuticals, Pharmaceuticals, Supplements, Agricultural Products, Automotive Products, Household Chemicals, Cosmetics, Industrial Products, Cannabis, and Nutritional Powders.

### OPTIONS

Available in white, standard, and custom colors. Can be lined with a wide variety of liner systems including SureSeal (foam), pressure sensitive. Optional 25-30% food-contact safe PCR PP material available.

### CLOSURE BENEFITS

- Offers child-resistance feature
- Vista® 2-piece CRC
- Push-and-turn
- Popular for vitamins & nutraceuticals
- Blank Top

For blank CRC closures, the customer is responsible for providing opening and closing instructions with the final package upon sale



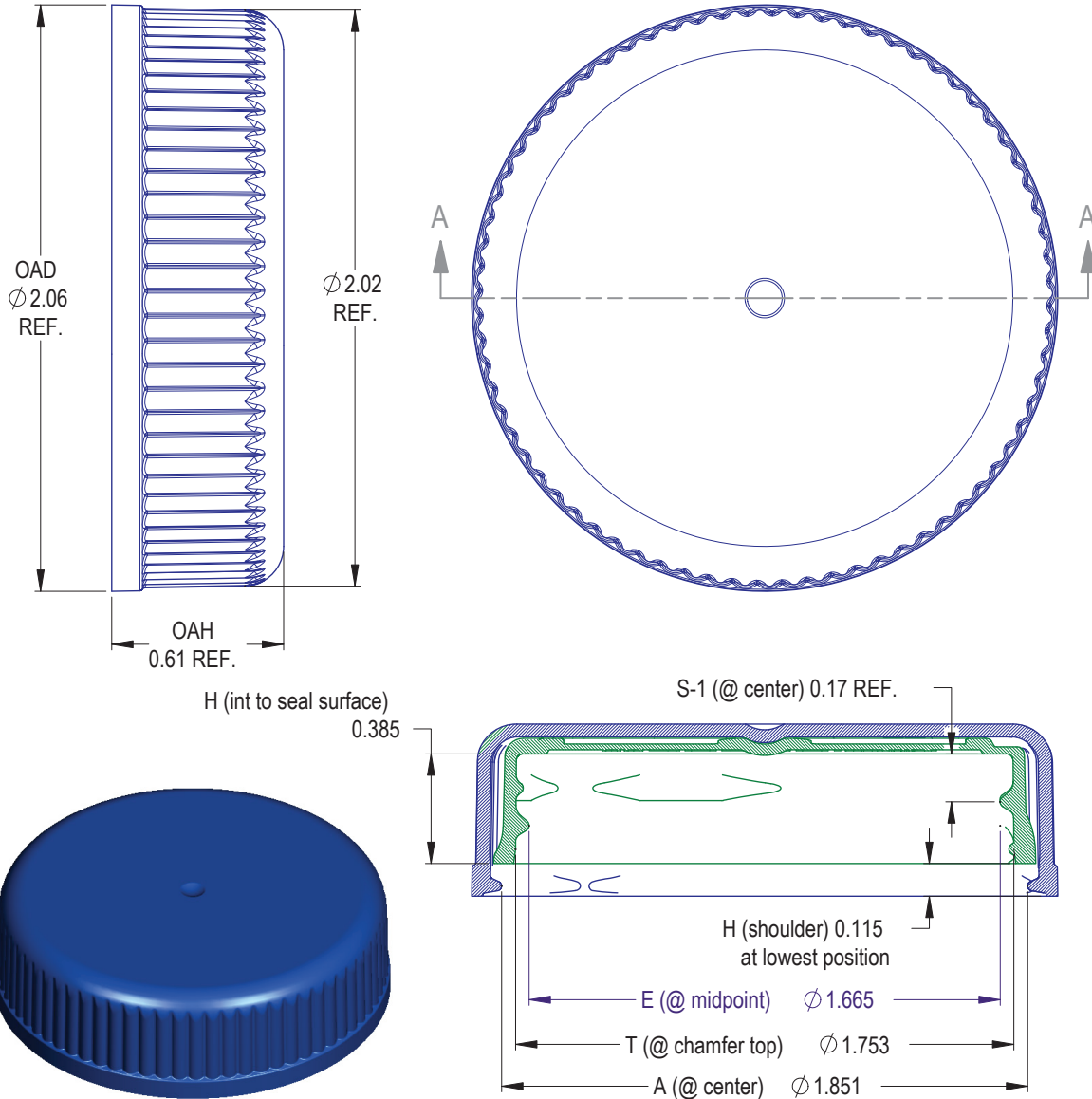
**PHOENIX™**

PHXPKG.COM

P 630 420 4750 E greatpkg@phxpkg.com  
975 Meridian Lake Drive • Aurora, IL 60504

**VISTA CHILD-RESISTANT CLOSURES**

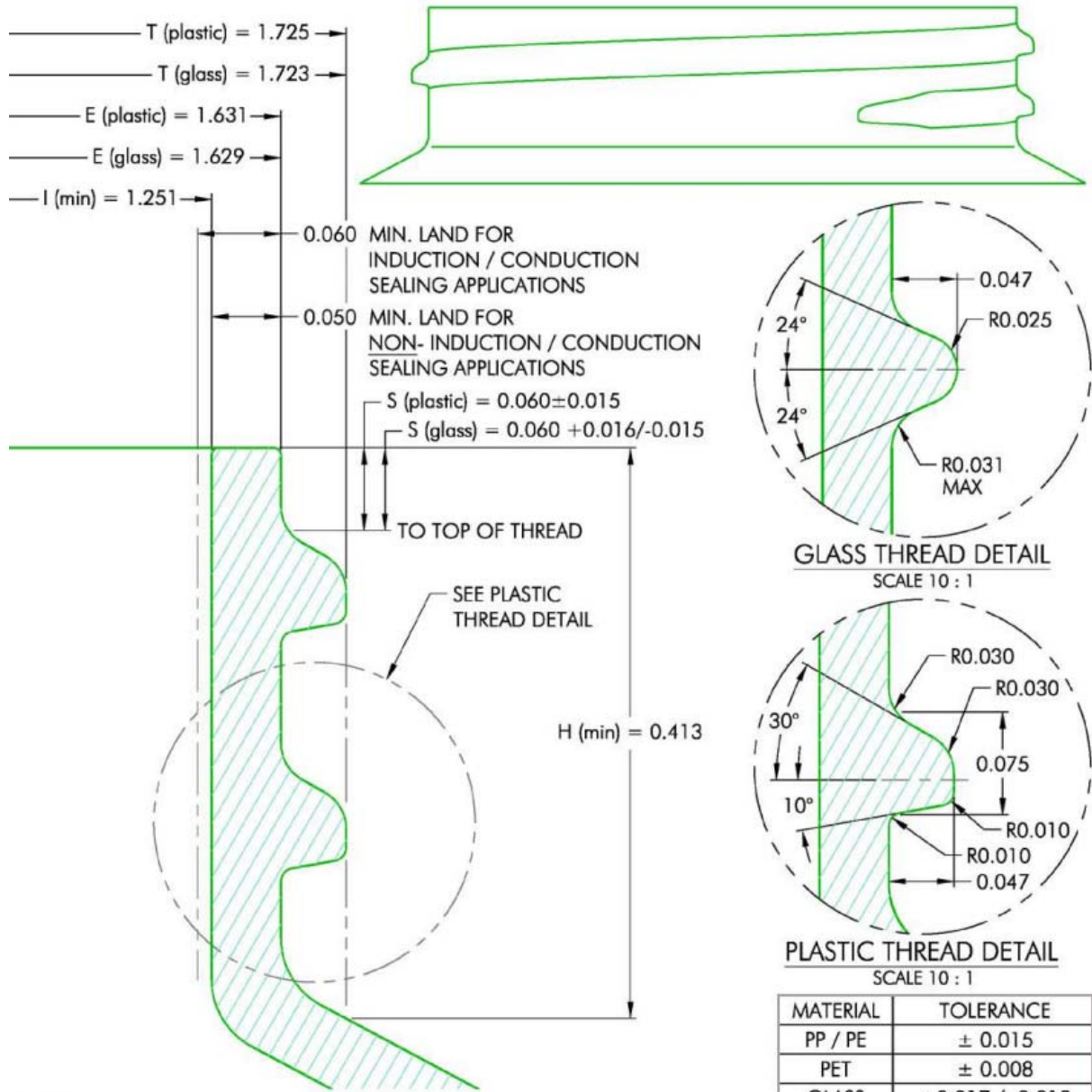
# 45-CRC-STBK A



|   |                |                          |                                       |             |          |
|---|----------------|--------------------------|---------------------------------------|-------------|----------|
| NOTES: (UNLESS OTHERWISE SPECIFIED)<br>1. ALL DIMENSIONS ARE IN INCHES.<br>2. SEE CHART FOR DIMENSIONAL TOLERANCE.<br><br>THIS OR FACSIMILE THEREOF IS THE EXCLUSIVE PROPERTY OF PHOENIX AND MAY NOT BE REPRODUCED WITHOUT THE EXPRESSED WRITTEN CONSENT OF PHOENIX. SOME OR ALL OF THE ITEMS DEPICTED ON THIS DRAWING MAY BE COVERED BY CURRENT PATENTS OR PATENTS APPLIED FOR BY PHOENIX. | 5              | 07.03.18                 | Update 'E' Dim. to Reflect Production |             | DN       |
|   | REV            | DATE                     | DESCRIPTION                           |             | BY       |
|   | TOLERANCE      | PITCH/TPI .167 / 6       |                                       | URNS 345°   | MAT'L PP |
|   | .X $\pm 0.1$   | DRAWN DMN                | DATE 08.28.16                         | SCALE 2 : 1 | REV      |
|   | .XX $\pm 0.02$ | <b>45 - CRC - STBK S</b> |                                       |             | 5        |
| .XXX $\pm 0.010$  |                |                          |                                       |             |          |

VISTA CHILD-RESISTANT CLOSURES

# 45-CRC-STBK A



|   |                          |             |             |               |                 |
|---|--------------------------|-------------|-------------|---------------|-----------------|
| NOTES: (UNLESS OTHERWISE SPECIFIED)<br>1. ALL DIMENSIONS ARE IN INCHES.<br>2. SEE CHART FOR DIMENSIONAL TOLERANCE.<br><br>THIS OR FACSIMILE THEREOF IS THE EXCLUSIVE PROPERTY OF PHOENIX AND MAY NOT BE REPRODUCED WITHOUT THE EXPRESSED WRITTEN CONSENT OF PHOENIX. SOME OR ALL OF THE ITEMS DEPICTED ON THIS DRAWING MAY BE COVERED BY CURRENT PATENTS OR PATENTS APPLIED FOR BY PHOENIX. | 0                        | 09.17.96    | Released    | BZ            |                 |
|   | REV                      | DATE        | DESCRIPTION | BY            |                 |
|   | TOLERANCE                | PITCH/TPI   | .167 / 6    | TURNS 1-1/8   | MAT'L Per Chart |
|   | .X                       | $\pm 0.1$   | DRAWN BEZ   | DATE 09.17.96 | SCALE 10 : 1    |
|   | .XX                      | $\pm 0.02$  |             | REV           |                 |
|   | .XXX                     | $\pm 0.010$ |             |               |                 |
|   | <b>45 - 400 - FINISH</b> |             |             | 0             |                 |