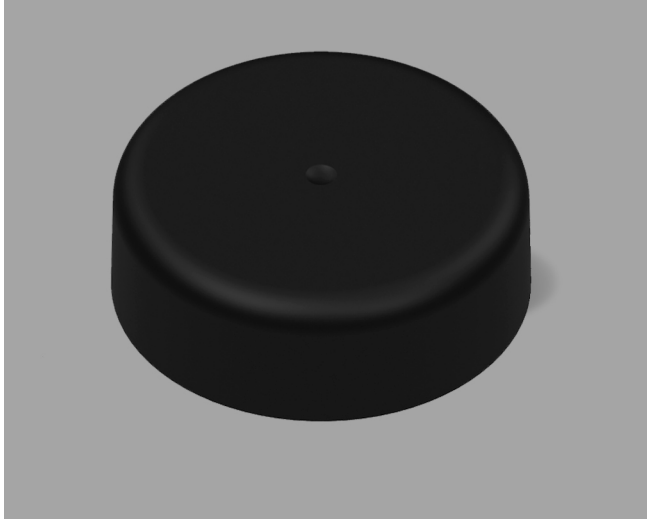


VISTA CHILD-RESISTANT CLOSURES

45-CRC-SMBK A



Specifications:

DIAMETER 45 mm

NECK FINISH 45-400

CLOSURE TOP Smatte™

CLOSURE SIDEWALL Smatte™

MATERIAL PP, PCR PP

PACKAGING & FREIGHT INFORMATION

PACK TYPE	PCS/CTN	CTNS/PALT	PCS/PALT	CTN WT*	PALT WT*	FRT CLASS
Bulk	1,700	15	25,500	36 ⁽¹⁾	537 ⁽¹⁾	100 ⁽¹⁾
Bulk	1,700	15	25,500	36 ⁽²⁾	537 ⁽²⁾	100 ⁽²⁾
CARTON DIMENSIONS: 24 x 16 x 15			PALLET DIMENSIONS: 48 x 40 x 50			

(1) Unlined Closures (2) Lined Closures *Approximate

MARKETS

Vitamins, Nutraceuticals, Pharmaceuticals, Supplements, Agricultural, Automotive, Household Chemicals, Cosmetics, Industrial, Cannabis, and Nutritional Powders

OPTIONS

Available in white, standard, and custom colors. Can be lined with a wide variety of liner systems including SureSeal (foam), pressure sensitive. Multiple PCR materials available with food-contact and non-food options up to 100% PCR content.

CLOSURE BENEFITS

- Offers child-resistance feature
- Vista® 2-piece CRC
- Patented Smatte™ finish for a sleek look
- Push-and-turn
- Popular for vitamins & nutraceuticals
- Blank Top

For blank CRC closures, the customer is responsible for providing opening and closing instructions with the final package upon sale

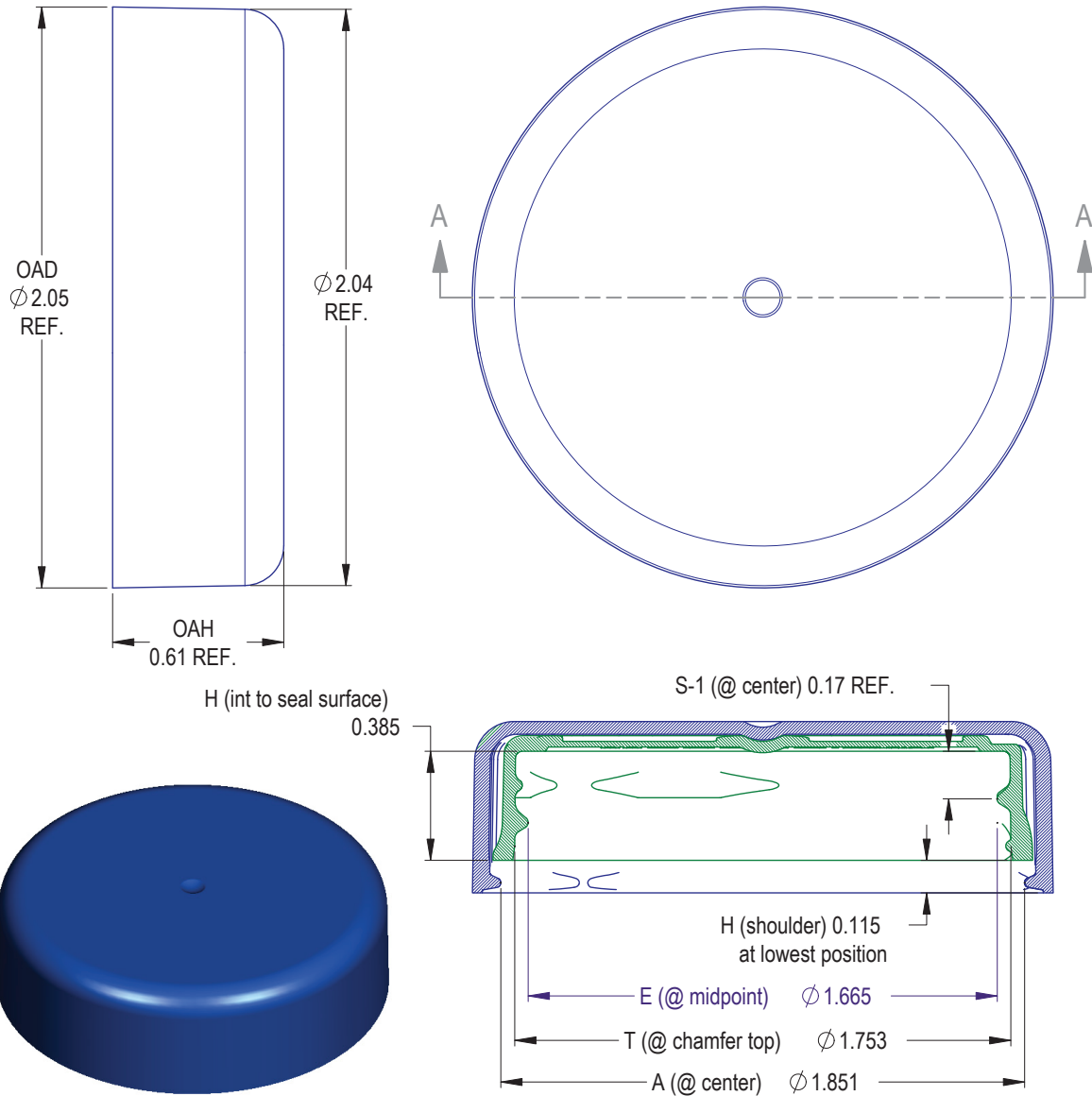


PHXPKG.COM

P 630 420 4750 E greatpkg@phxpkg.com
975 Meridian Lake Drive • Aurora, IL 60504

VISTA CHILD-RESISTANT CLOSURES

45-CRC-SMBK A



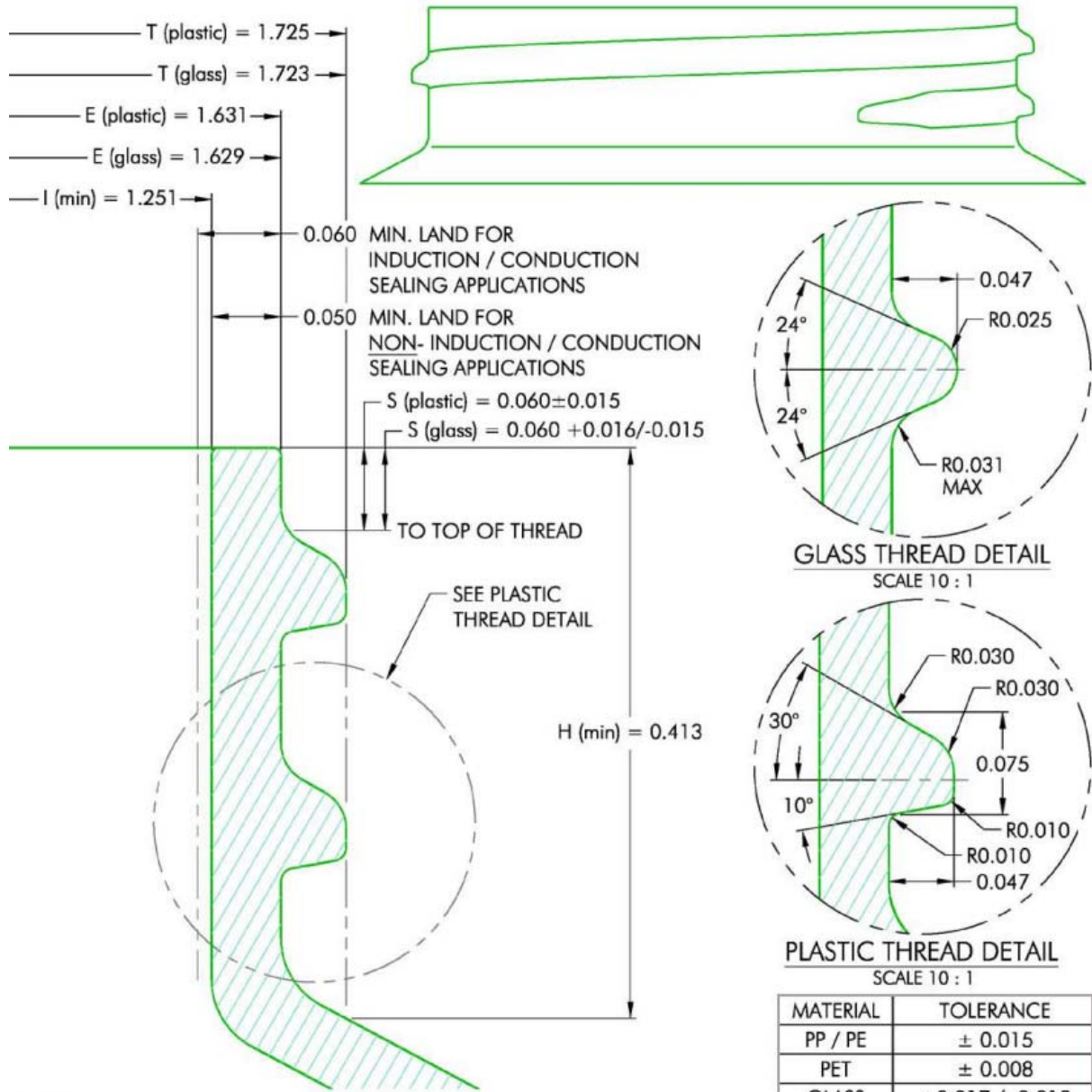
NOTES: (UNLESS OTHERWISE SPECIFIED)
 1. ALL DIMENSIONS ARE IN INCHES.
 2. SEE CHART FOR DIMENSIONAL TOLERANCE.

THIS OR FACSIMILE THEREOF IS THE EXCLUSIVE PROPERTY OF PHOENIX AND MAY NOT BE REPRODUCED WITHOUT THE EXPRESSED WRITTEN CONSENT OF PHOENIX. SOME OR ALL OF THE ITEMS DEPICTED ON THIS DRAWING MAY BE COVERED BY CURRENT PATENTS OR PATENTS APPLIED FOR BY PHOENIX.

1	07.03.19	Update 'E' Dim. to Reflect Production	DN
REV	DATE	DESCRIPTION	BY
TOLERANCE	PITCH/TPI	.167 / 6	TURNS 345°
.X ±0.1	DRAWN	DMN	DATE 08.28.16
.XX ±0.02	SCALE	2 : 1	REV
.XXX ±0.010	45 - CRC - SMBK S		1

VISTA CHILD-RESISTANT CLOSURES

45-CRC-SMBK A



NOTES: (UNLESS OTHERWISE SPECIFIED) 1. ALL DIMENSIONS ARE IN INCHES. 2. SEE CHART FOR DIMENSIONAL TOLERANCE. THIS OR FACSIMILE THEREOF IS THE EXCLUSIVE PROPERTY OF PHOENIX AND MAY NOT BE REPRODUCED WITHOUT THE EXPRESSED WRITTEN CONSENT OF PHOENIX. SOME OR ALL OF THE ITEMS DEPICTED ON THIS DRAWING MAY BE COVERED BY CURRENT PATENTS OR PATENTS APPLIED FOR BY PHOENIX.	0	09.17.96	Released	BZ	
	REV	DATE	DESCRIPTION	BY	
	TOLERANCE	PITCH/TPI	.167 / 6	TURNS 1-1/8	MAT'L Per Chart
	.X	± 0.1	DRAWN BEZ	DATE 09.17.96	SCALE 10 : 1
	.XX	± 0.02		REV	
	.XXX	± 0.010			
	45 - 400 - FINISH			0	