

MESA GRANDE DISPENSING CLOSURES

38-DIS-2R19 S



Specifications:

DIAMETER 38 mm
THREAD PROFILE 400
CLOSURE TYPE Dispensing
NECK FINISH 38-400
CLOSURE TOP Flip-top
CLOSURE SIDEWALL Ribbed
MATERIAL PP

PACKAGING & FREIGHT INFORMATION

PACK TYPE	PCS/CTN	CTNS/PALT	PCS/PALT	CTN WT*	PALT WT*	FRT CLASS
Bulk	1,000	15	15,000	26.5 ⁽¹⁾	398 ⁽¹⁾	125 ⁽¹⁾
Bulk	1,000	15	15,000	TBD ⁽²⁾	TBD ⁽²⁾	TBD ⁽²⁾
CARTON DIMENSIONS: 24 x 16 x 15			PALLET DIMENSIONS: 48 x 40 x 50			

(1) Unlined Closures (2) Lined Closures *Approximate

MARKETS

Dressings & Sauces, Honey, Jams and Jellies, Condiments, Lotions, Cleansers, Cleaning Products.

OPTIONS

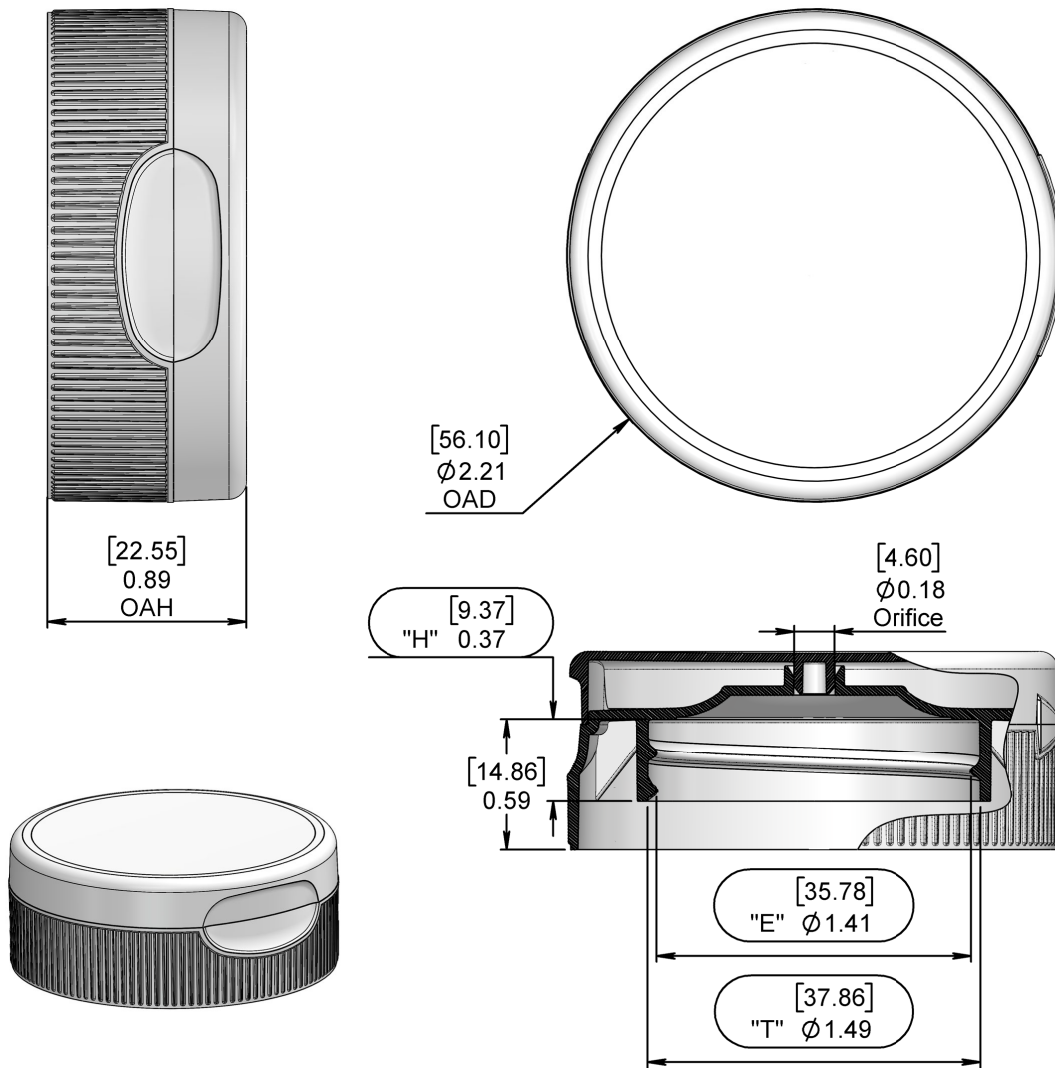
Available in white, standard colors and custom colors. Can be lined with a wide variety of liner systems.

CLOSURE BENEFITS

- Easy dispensing & clean flow
- Flip-top dispensing closure
- 0.188" orifice
- Audible "click" conveys security
- Double-wall design
- MESA Grande dispensing closure

MESA GRANDE DISPENSING CLOSURES

38-DIS-2R19 S

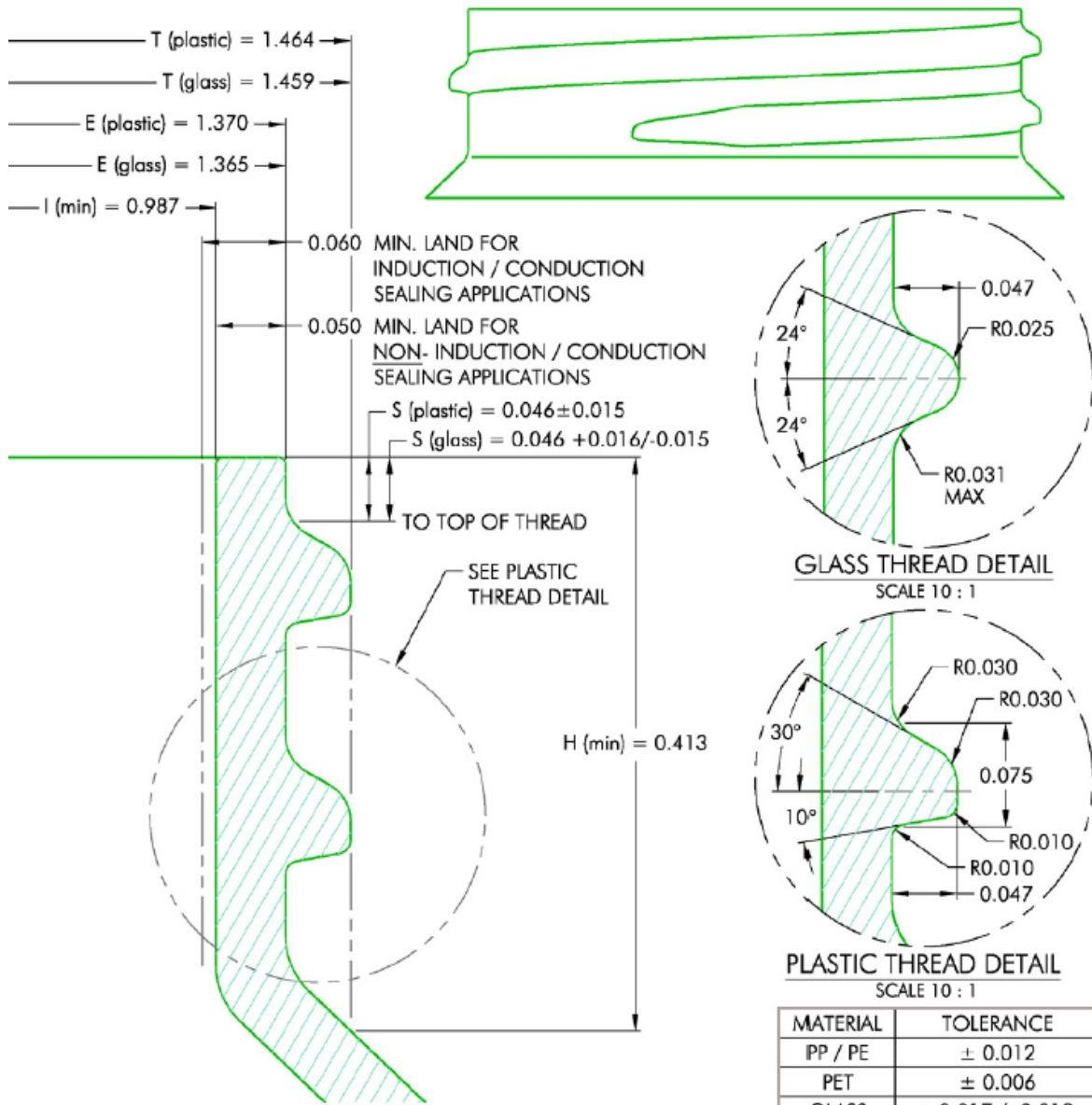


9.88

NOTES: (UNLESS OTHERWISE SPECIFIED) 1. ALL DIMENSIONS ARE IN INCHES. 2. SEE CHART FOR DIMENSIONAL TOLERANCE. THIS OR FACSIMILE THEREOF IS THE EXCLUSIVE PROPERTY OF PHOENIX AND MAY NOT BE REPRODUCED WITHOUT THE EXPRESSED WRITTEN CONSENT OF PHOENIX. SOME OR ALL OF THE ITEMS DEPICTED ON THIS DRAWING MAY BE COVERED BY CURRENT PATENTS OR PATENTS APPLIED FOR BY PHOENIX.	-	00.00.00	-	-					
	REV	DATE	DESCRIPTION	BY					
	TOLERANCE	PITCH/TPI	.166 / 6	TURNS	1	MAT'L	PP		
	.X	±0.1	DRAWN	RAG	DATE	11.02.20	SCALE	1.5 : 1	REV
	.XX	±0.02	038 - DIS - 2R19 S					0	
.XXX	±0.010								

MESA GRANDE DISPENSING CLOSURES

38-DIS-2R19 S



NOTES: (UNLESS OTHERWISE SPECIFIED)

- ALL DIMENSIONS ARE IN INCHES.
- SEE CHART FOR DIMENSIONAL TOLERANCE.

THIS OR FACSIMILE THEREOF IS THE EXCLUSIVE PROPERTY OF PHOENIX AND MAY NOT BE REPRODUCED WITHOUT THE EXPRESSED WRITTEN CONSENT OF PHOENIX. SOME OR ALL OF THE ITEMS DEPICTED ON THIS DRAWING MAY BE COVERED BY CURRENT PATENTS OR PATENTS APPLIED FOR BY PHOENIX.

BF	05.21.18	Released	DN
REV	DATE	DESCRIPTION	BY
TOLERANCE	PITCH/TPI	1.67 / 6	TURNS 1-1/4
.X	± 0.1	DRAWN	BEZ
.XX	± 0.02	DATE	08.31.93
.XXX	± 0.010	SCALE	10 : 1
38 - 400 - FINISH			REV
			0