

**MESA DISPENSING CLOSURES**

# 38-DIS-1S25 S



## Specifications:

**DIAMETER** 38 mm  
**THREAD PROFILE** DIS  
**CLOSURE TYPE** Dispensing  
**NECK FINISH** 38-400  
**CLOSURE TOP** Flip-top  
**CLOSURE SIDEWALL** Smooth  
**MATERIAL** PP

**PACKAGING & FREIGHT INFORMATION**

PACK TYPE	PCS/CTN	CTNS/PALT	PCS/PALT	CTN WT*	PALT WT*	FRT CLASS
Bulk	2,250	15	33,750	30.6 <sup>(1)</sup>	459 <sup>(1)</sup>	100 <sup>(1)</sup>
Bulk	2,250	15	33,750	TBD <sup>(2)</sup>	TBD <sup>(2)</sup>	TBD <sup>(2)</sup>
<b>CARTON DIMENSIONS: 24 x 16 x 15</b>			<b>PALLET DIMENSIONS: 48 x 40 x 50</b>			

(1) Unlined Closures (2) Lined Closures \*Approximate

**MARKETS**

Dressings & Sauces, Honey, Jams and Jellies, Condiments, Lotions, Cleansers, Cleaning Products

**OPTIONS**

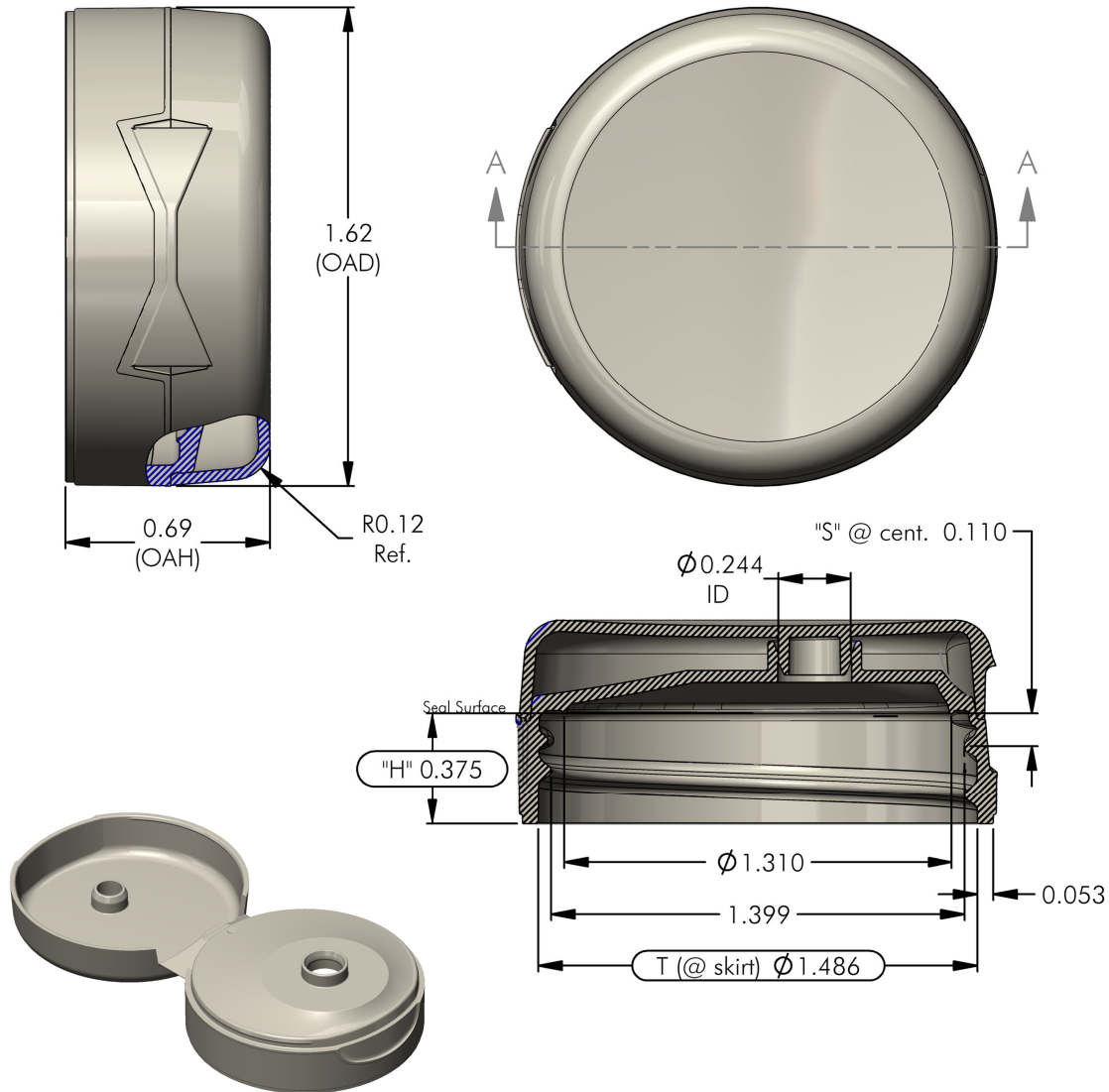
Available in white, standard colors and custom colors. Can be lined with a wide variety of liner systems.

**CLOSURE BENEFITS**

- Easy dispensing & clean flow
- MESA Flip-top dispensing closure
- 0.25" orifice
- Audible "click" conveys security
- Single-wall design
- Smooth top & sides lends a clean look

MESA DISPENSING CLOSURES

# 38-DIS-1S25 S



5.220

NOTES: (UNLESS OTHERWISE SPECIFIED)		- 00.00.00 -					
1. ALL DIMENSIONS ARE IN INCHES.		REV	DATE	DESCRIPTION			BY
2. SEE CHART FOR DIMENSIONAL TOLERANCE.		TOLERANCE	PITCH/TPI	.167 / 6	TURNS	1-1/8	MAT'L PP
THIS OR FACSIMILE THEREOF IS THE EXCLUSIVE PROPERTY OF PHOENIX AND MAY NOT BE REPRODUCED WITHOUT THE EXPRESSED WRITTEN CONSENT OF PHOENIX. SOME OR ALL OF THE ITEMS DEPICTED ON THIS DRAWING MAY BE COVERED BY CURRENT PATENTS OR PATENTS APPLIED FOR BY PHOENIX.		.X	±0.1	DRAWN	TCS	DATE	11.02.20
		.XX	±0.02			SCALE	2 : 1
		.XXX	±0.010	<b>038 - DIS - 1S25 S</b>			REV 0

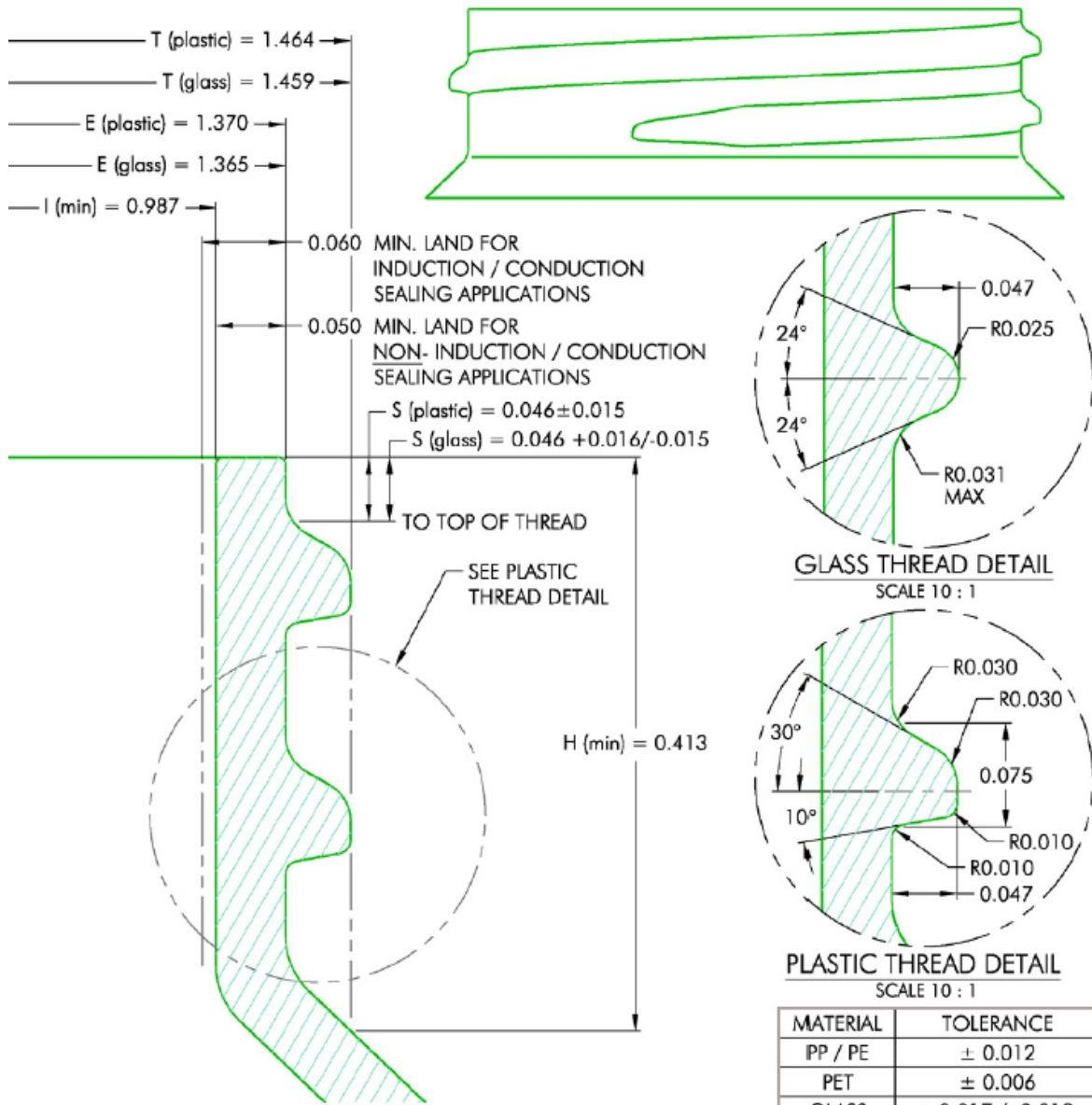


PHXPKG.COM

P 630 420 4750 E greatpkg@phxpkg.com  
975 Meridian Lake Drive • Aurora, IL 60504

MESA DISPENSING CLOSURES

# 38-DIS-1 S25 S



NOTES: (UNLESS OTHERWISE SPECIFIED)  
 1. ALL DIMENSIONS ARE IN INCHES.  
 2. SEE CHART FOR DIMENSIONAL TOLERANCE.

BF	05.21.18	Released	DN
REV	DATE	DESCRIPTION	BY
TOLERANCE	PITCH/TPI	1.67 / 6	TURNS 1-1/4
.X	$\pm 0.1$	DRAWN	BEZ
.XX	$\pm 0.02$	DATE	08.31.93
.XXX	$\pm 0.010$	SCALE	10 : 1
<b>38 - 400 - FINISH</b>			REV
			0