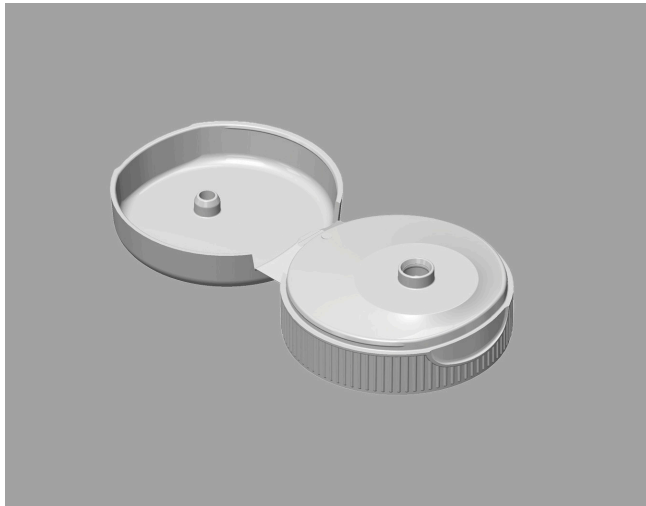


MESA DISPENSING CLOSURES

# 38-DIS-1R19 S



## Specifications:

**DIAMETER** 38 mm  
**THREAD PROFILE** DIS  
**CLOSURE TYPE** Dispensing  
**NECK FINISH** 38-400  
**CLOSURE TOP** Flip-top  
**CLOSURE SIDEWALL** Ribbed  
**MATERIAL** PP

### PACKAGING & FREIGHT INFORMATION

PACK TYPE	PCS/CTN	CTNS/PALT	PCS/PALT	CTN WT*	PALT WT*	FRT CLASS
Bulk	2,250	15	33,750	30.6 <sup>(1)</sup>	459 <sup>(1)</sup>	100 <sup>(1)</sup>
Bulk	2,250	15	33,750	TBD <sup>(2)</sup>	TBD <sup>(2)</sup>	TBD <sup>(2)</sup>
<b>CARTON DIMENSIONS: 24 x 16 x 15</b>			<b>PALLET DIMENSIONS: 48 x 40 x 50</b>			

(1) Unlined Closures (2) Lined Closures \*Approximate

### MARKETS

Dressings & Sauces, Honey, Jams and Jellies, Condiments, Lotions, Cleansers, Cleaning Products.

### OPTIONS

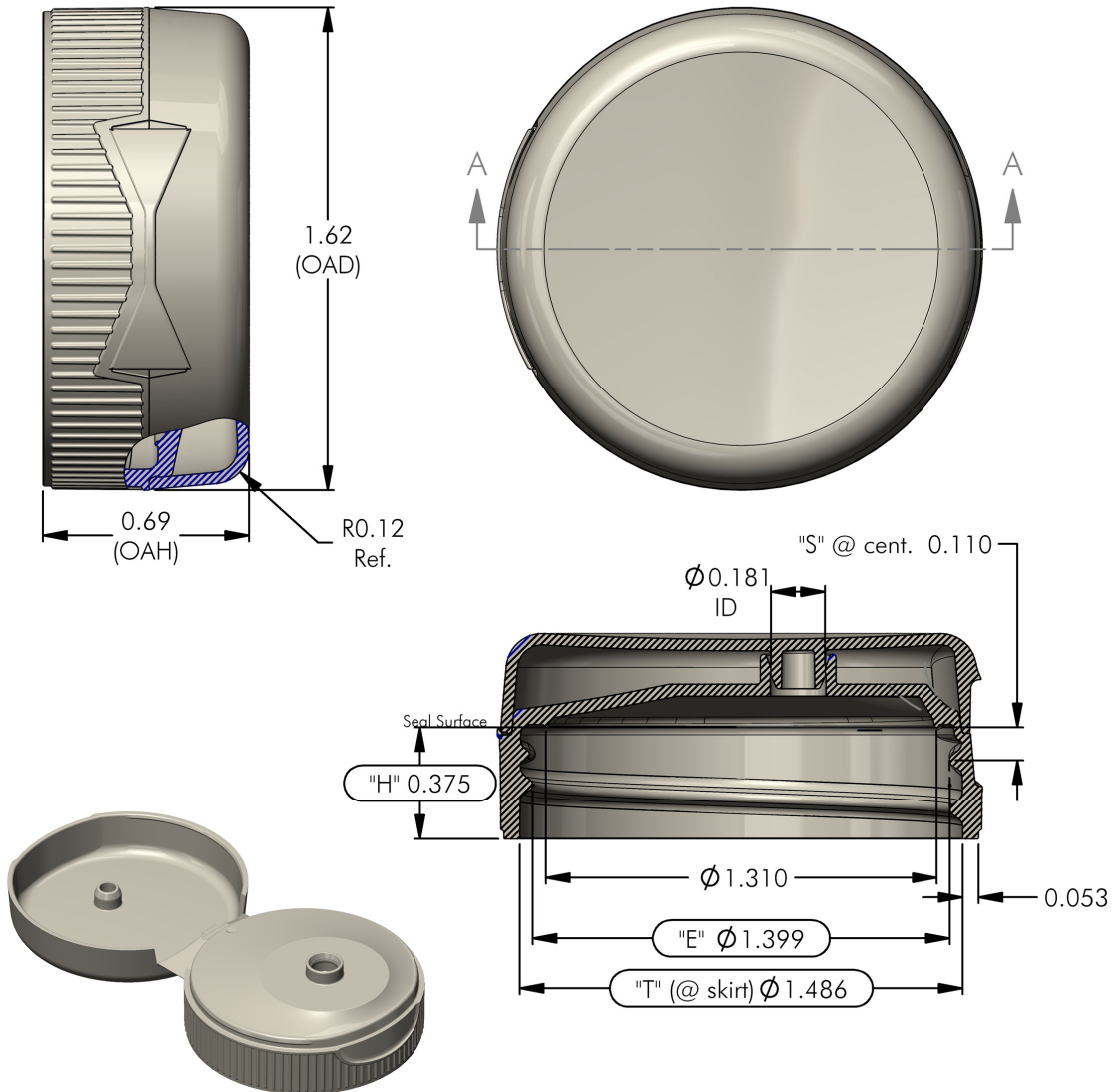
Available in white, standard colors and custom colors. Can be lined with a wide variety of liner systems.

### CLOSURE BENEFITS

- MESA Flip-top dispensing closure
- Easy dispensing & clean flow
- 0.188" orifice
- Audible "click" conveys security
- Single-wall design

MESA DISPENSING CLOSURES

# 38-DIS-1R19 S



5.080

NOTES: (UNLESS OTHERWISE SPECIFIED)				-	00.00.00	-	-
1. ALL DIMENSIONS ARE IN INCHES.				REV	DATE	DESCRIPTION	BY
2. SEE CHART FOR DIMENSIONAL TOLERANCE.				TOLERANCE	PITCH/TPI	.167 / 6	TURNS
THIS OR FACSIMILE THEREOF IS THE EXCLUSIVE PROPERTY OF PHOENIX AND MAY NOT BE REPRODUCED WITHOUT THE EXPRESSED WRITTEN CONSENT OF PHOENIX. SOME OR ALL OF THE ITEMS DEPICTED ON THIS DRAWING MAY BE COVERED BY CURRENT PATENTS OR PATENTS APPLIED FOR BY PHOENIX.				.X	±0.1	DRAWN	TCS
				.XX	±0.02	DATE	11.02.20
				.XXX	±0.010	SCALE	2 : 1
				<b>038 - DIS - 1R19 S</b>			0

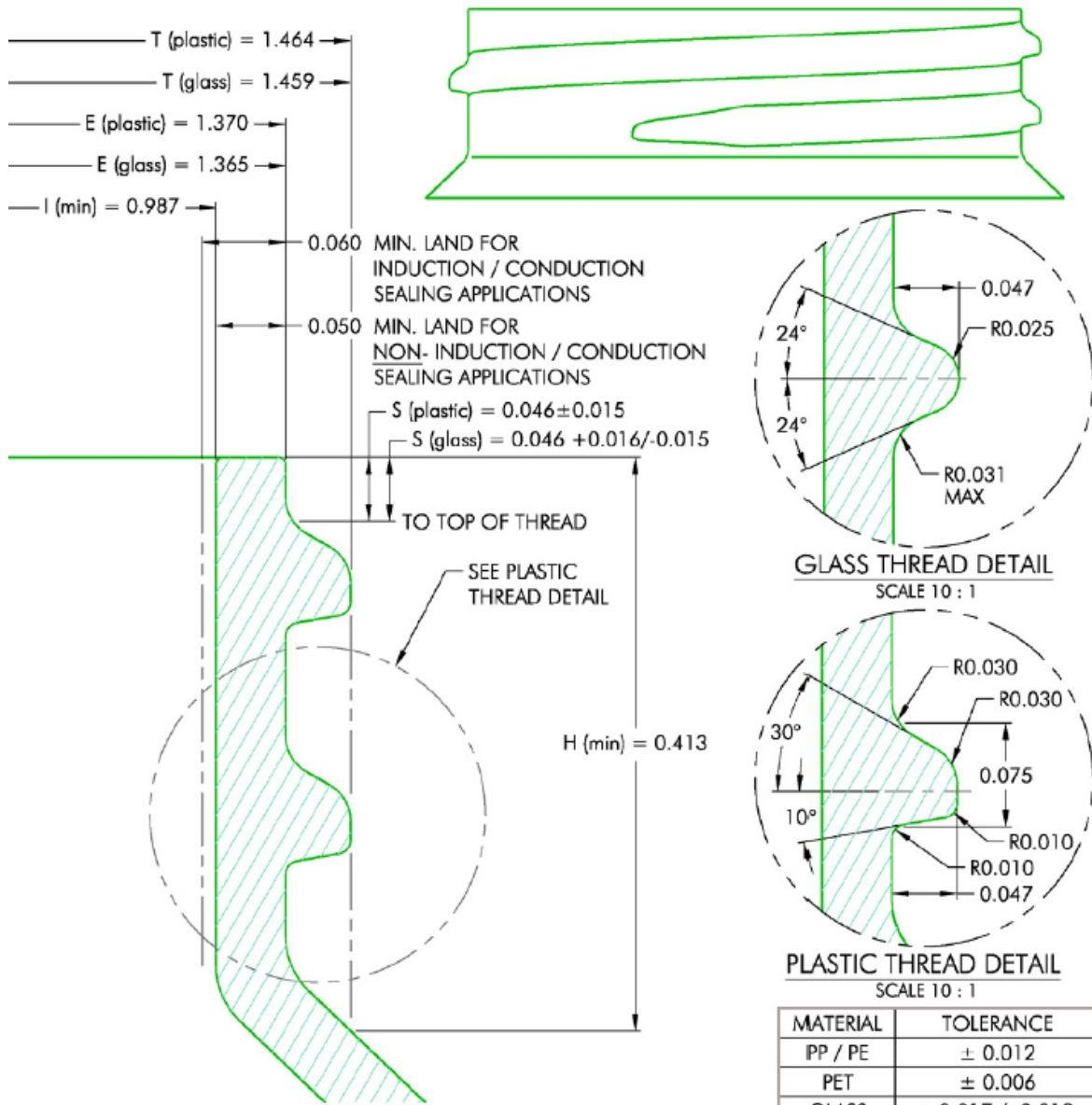


PHXPKG.COM

P 630 420 4750 E greatpkg@phxpkg.com  
975 Meridian Lake Drive • Aurora, IL 60504

MESA DISPENSING CLOSURES

# 38-DIS-1R19 S



NOTES: (UNLESS OTHERWISE SPECIFIED)

- ALL DIMENSIONS ARE IN INCHES.
- SEE CHART FOR DIMENSIONAL TOLERANCE.

THIS OR FACSIMILE THEREOF IS THE EXCLUSIVE PROPERTY OF PHOENIX AND MAY NOT BE REPRODUCED WITHOUT THE EXPRESSED WRITTEN CONSENT OF PHOENIX. SOME OR ALL OF THE ITEMS DEPICTED ON THIS DRAWING MAY BE COVERED BY CURRENT PATENTS OR PATENTS APPLIED FOR BY PHOENIX.

BF	05.21.18	Released	DN
REV	DATE	DESCRIPTION	BY
TOLERANCE	PITCH/TPI	1.67 / 6	TURNS 1-1/4
.X	$\pm 0.1$	DRAWN	BEZ
.XX	$\pm 0.02$	DATE	08.31.93
.XXX	$\pm 0.010$	SCALE	10 : 1
38 - 400 - FINISH			0