

CHILD-RESISTANT CLOSURES

38-CRC-STPT A



Specifications:

DIAMETER 38 mm

NECK FINISH 38-400

CLOSURE TOP Debossed Pictogram

CLOSURE SIDEWALL Wide Ribbed

MATERIAL PP, PCR PP

PACKAGING & FREIGHT INFORMATION

PACK TYPE	PCS/CTN	CTNS/PALT	PCS/PALT	CTN WT*	PALT WT*	FRT CLASS
Bulk	2,000	15	30,000	33 ⁽¹⁾	495 ⁽¹⁾	100 ⁽¹⁾
Bulk	2,000	15	30,000	36 ⁽²⁾	537 ⁽²⁾	100 ⁽²⁾
CARTON DIMENSIONS: 24 x 16 x 15			PALLET DIMENSIONS: 48 x 40 x 50			

(1) Unlined Closures (2) Lined Closures *Approximate

MARKETS

Vitamins, Nutraceuticals, Pharmaceuticals, Supplements, Agricultural, Automotive, Household Chemicals, Cosmetics, Industrial, Cannabis, and Nutritional Powders

OPTIONS

Available in white, standard, and custom colors. Can be lined with a wide variety of liner systems including SureSeal (foam). Multiple PCR materials available with food-contact and non-food options up to 100% PCR content.

CLOSURE BENEFITS

- Offers child-resistance feature
- Vista® 2-piece CRC
- Push-and-turn
- Popular for vitamins & nutraceuticals
- Debossed with pictogram instructions

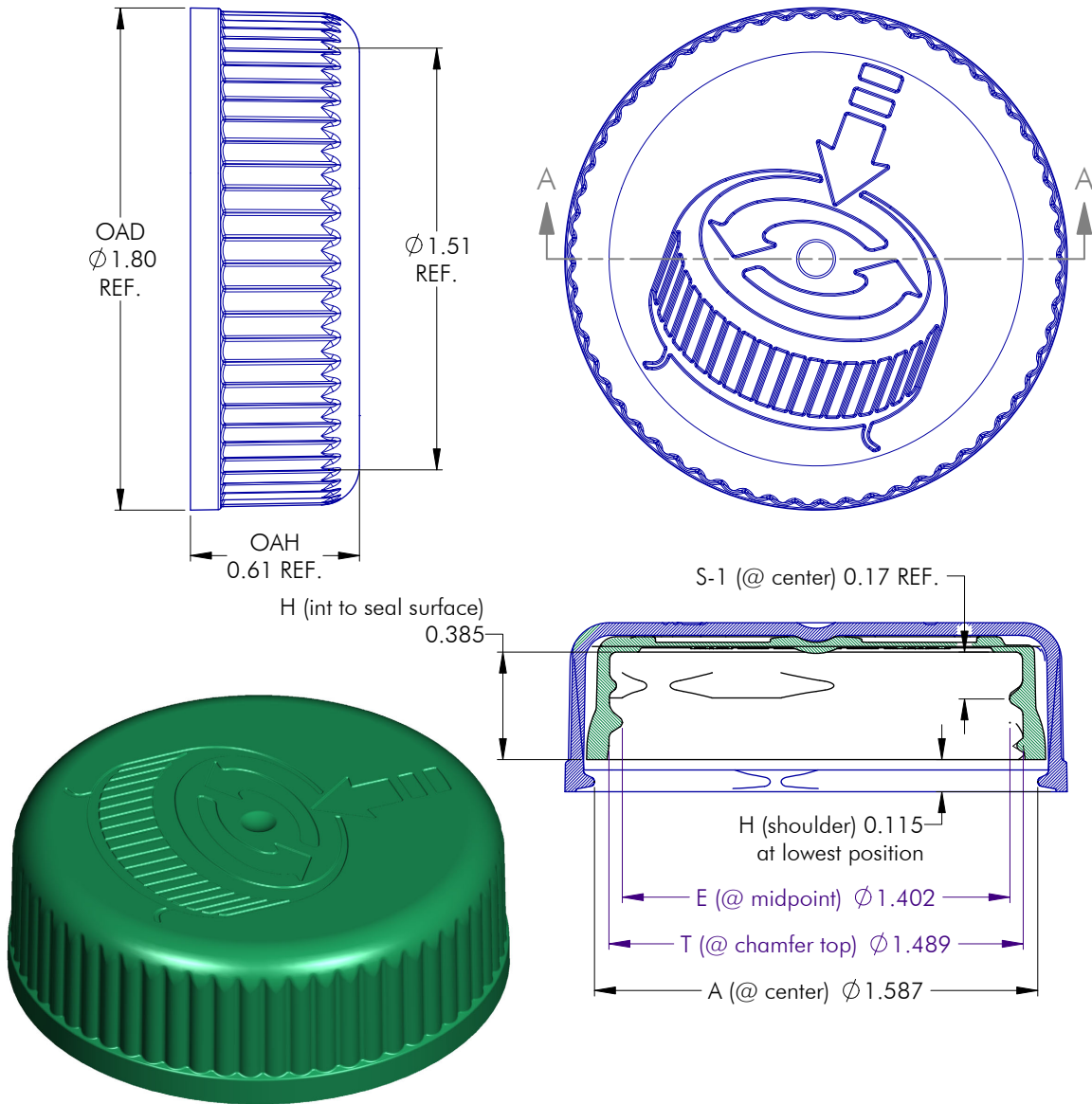

PHOENIX™

PHXPKG.COM

P 630 420 4750 E greatpkg@phxpkg.com
975 Meridian Lake Drive • Aurora, IL 60504

CHILD-RESISTANT CLOSURES

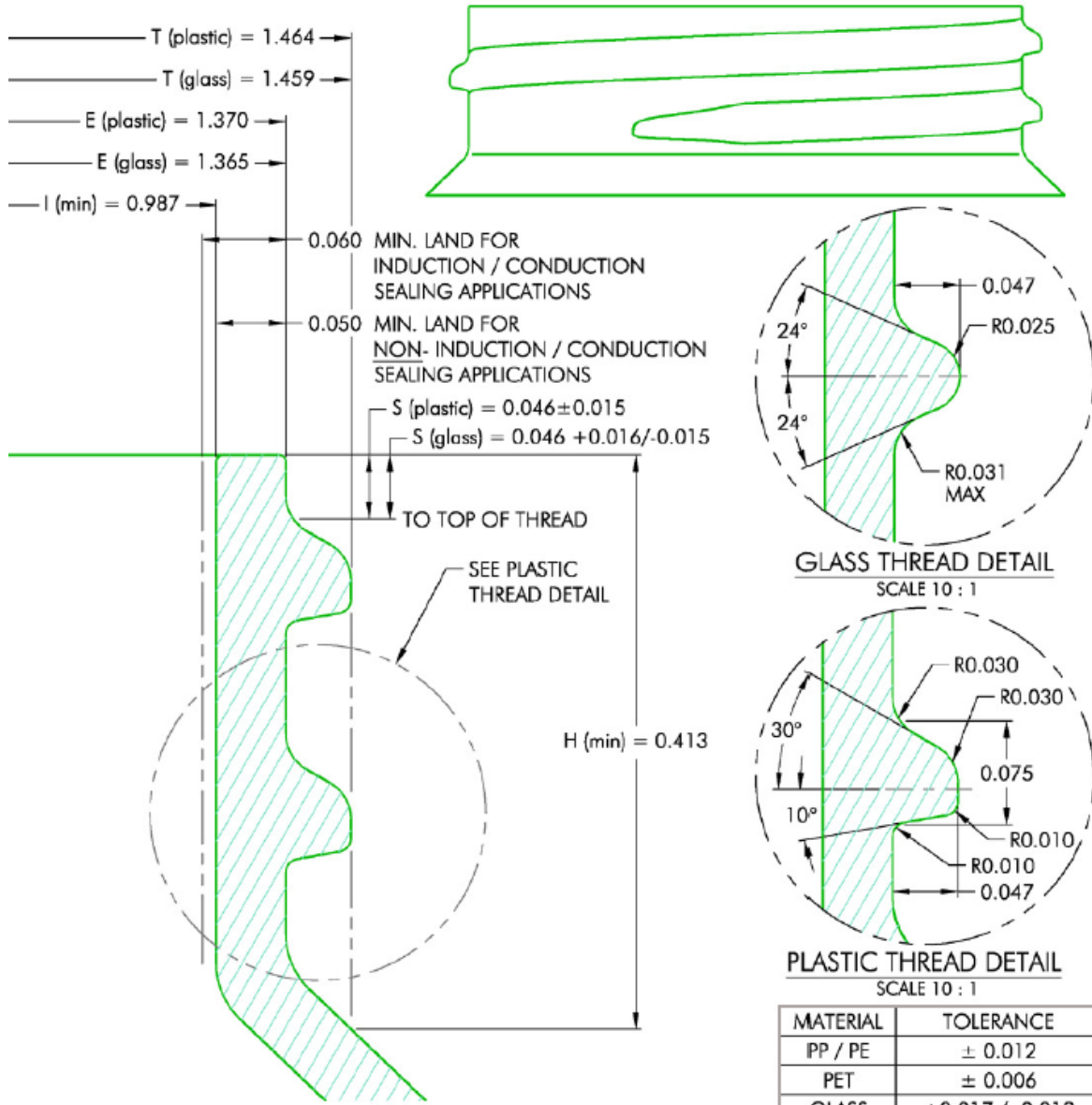
38-CRC-STPT A



NOTES: (UNLESS OTHERWISE SPECIFIED)				15	01.17.24	UPDATED RETENTION BEAD STRIP RADIUS TO 0.02"		LD
1. ALL DIMENSIONS ARE IN INCHES.				REV	DATE	DESCRIPTION		BY
2. SEE CHART FOR DIMENSIONAL TOLERANCE.						PITCH/TPI	.167 / 6	TURNS
						345°	MAT'L	PP
THIS OR FACSIMILE THEREOF IS THE EXCLUSIVE PROPERTY OF PHOENIX AND MAY NOT BE REPRODUCED WITHOUT THE EXPRESSED WRITTEN CONSENT OF PHOENIX. SOME OR ALL OF THE ITEMS DEPICTED ON THIS DRAWING MAY BE COVERED BY CURRENT PATENTS OR PATENTS APPLIED FOR BY PHOENIX.				TOLERANCE			DATE	06.29.16
				.X	±0.1	DRAWN	DMN	SCALE
				.XX	±0.02			2 : 1
				.XXX	±0.010			REV
				038 - CRC - STPT S				15

CHILD-RESISTANT CLOSURES

38-CRC-STPT A



NOTES: (UNLESS OTHERWISE SPECIFIED) 1. ALL DIMENSIONS ARE IN INCHES. 2. SEE CHART FOR DIMENSIONAL TOLERANCE. THIS OR FACSIMILE THEREOF IS THE EXCLUSIVE PROPERTY OF PHOENIX AND MAY NOT BE REPRODUCED WITHOUT THE EXPRESSED WRITTEN CONSENT OF PHOENIX. SOME OR ALL OF THE ITEMS DEPICTED ON THIS DRAWING MAY BE COVERED BY CURRENT PATENTS OR PATENTS APPLIED FOR BY PHOENIX.	BF	05.21.18	Released	DN	
	REV	DATE	DESCRIPTION	BY	
	TOLERANCE	PITCH/TPI .167 / 6		TURNS 1-1/4	MAT'L Per Chart
	.X ±0.1	DRAWN	BEZ	DATE 08.31.93	SCALE 10 : 1
.XX ±0.02	38 - 400 - FINISH			REV 0	
.XXX ±0.010					