

VISTA CHILD-RESISTANT CLOSURES

38-CRC-STBK A



Specifications:

DIAMETER 38 mm
THREAD PROFILE CRC
NECK FINISH 38-CRC
CLOSURE TOP Stipple
CLOSURE SIDEWALL Wide Ribbed
MATERIAL PP, PCR PP

PACKAGING & FREIGHT INFORMATION

PACK TYPE	PCS/CTN	CTNS/PALT	PCS/PALT	CTN WT*	PALT WT*	FRT CLASS
Bulk	2,000	15	30,000	33 ⁽¹⁾	495 ⁽¹⁾	100 ⁽¹⁾
Bulk	2,000	15	30,000	36 ⁽²⁾	537 ⁽²⁾	100 ⁽²⁾
CARTON DIMENSIONS: 24 x 16 x 15			PALLET DIMENSIONS: 48 x 40 x 50			

(1) Unlined Closures (2) Lined Closures *Approximate

MARKETS

Vitamins, Nutraceuticals, Pharmaceuticals, Supplements, Agricultural Products, Automotive Products, Household Chemicals, Cosmetics, Industrial Products, Cannabis, and Nutritional Powders

OPTIONS

Available in white, standard, and custom colors. Can be lined with a wide variety of liner systems including SureSeal (foam). Optional 25-30% food-contact safe PCR PP material available.

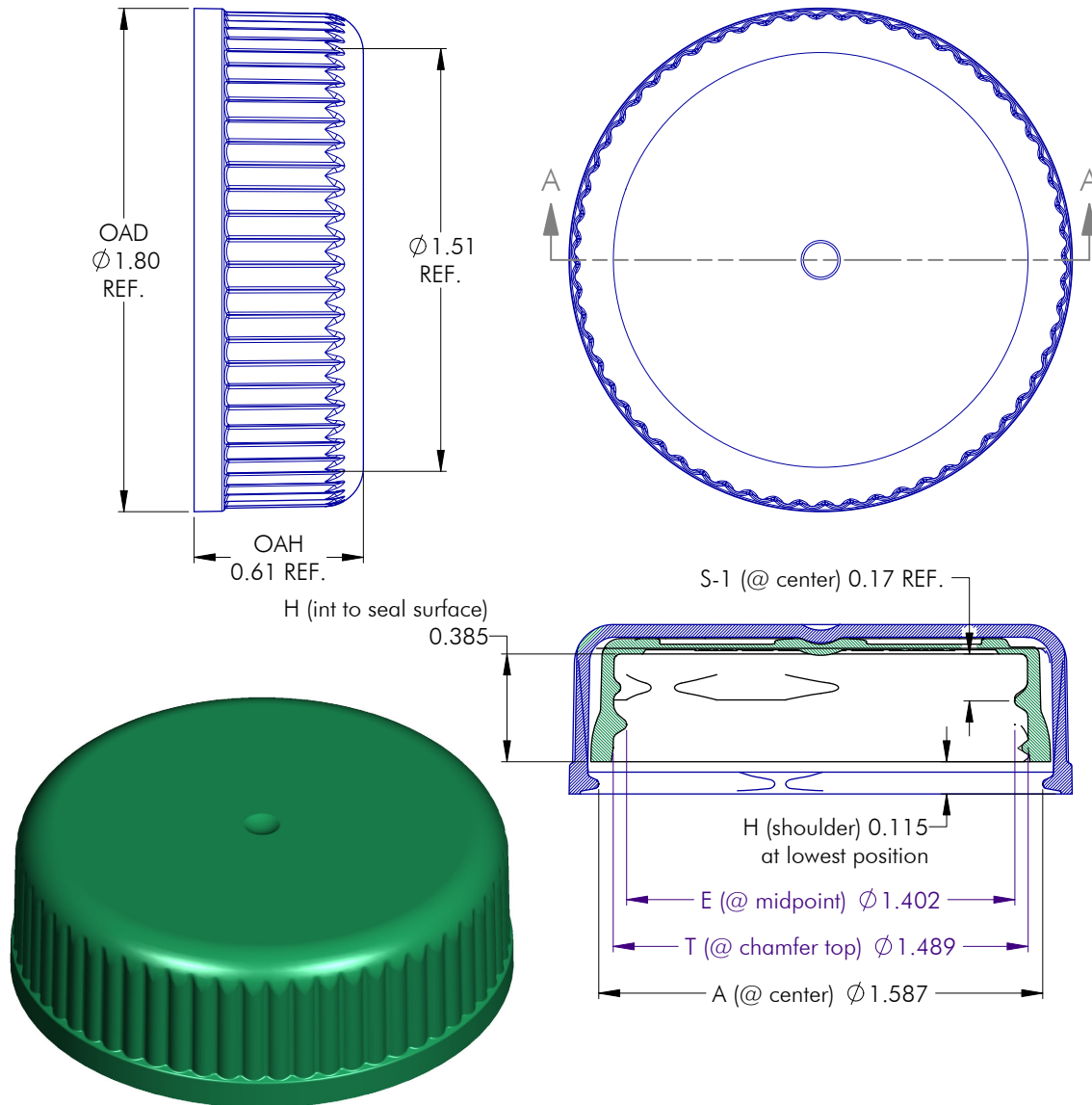
CLOSURE BENEFITS

- Offers child-resistance feature
- Vista® 2-piece CRC
- Push-and-turn
- Popular for vitamins & nutraceuticals
- Blank Top

For blank CRC closures, the customer is responsible for providing opening and closing instructions with the final package upon sale

VISTA CHILD-RESISTANT CLOSURES

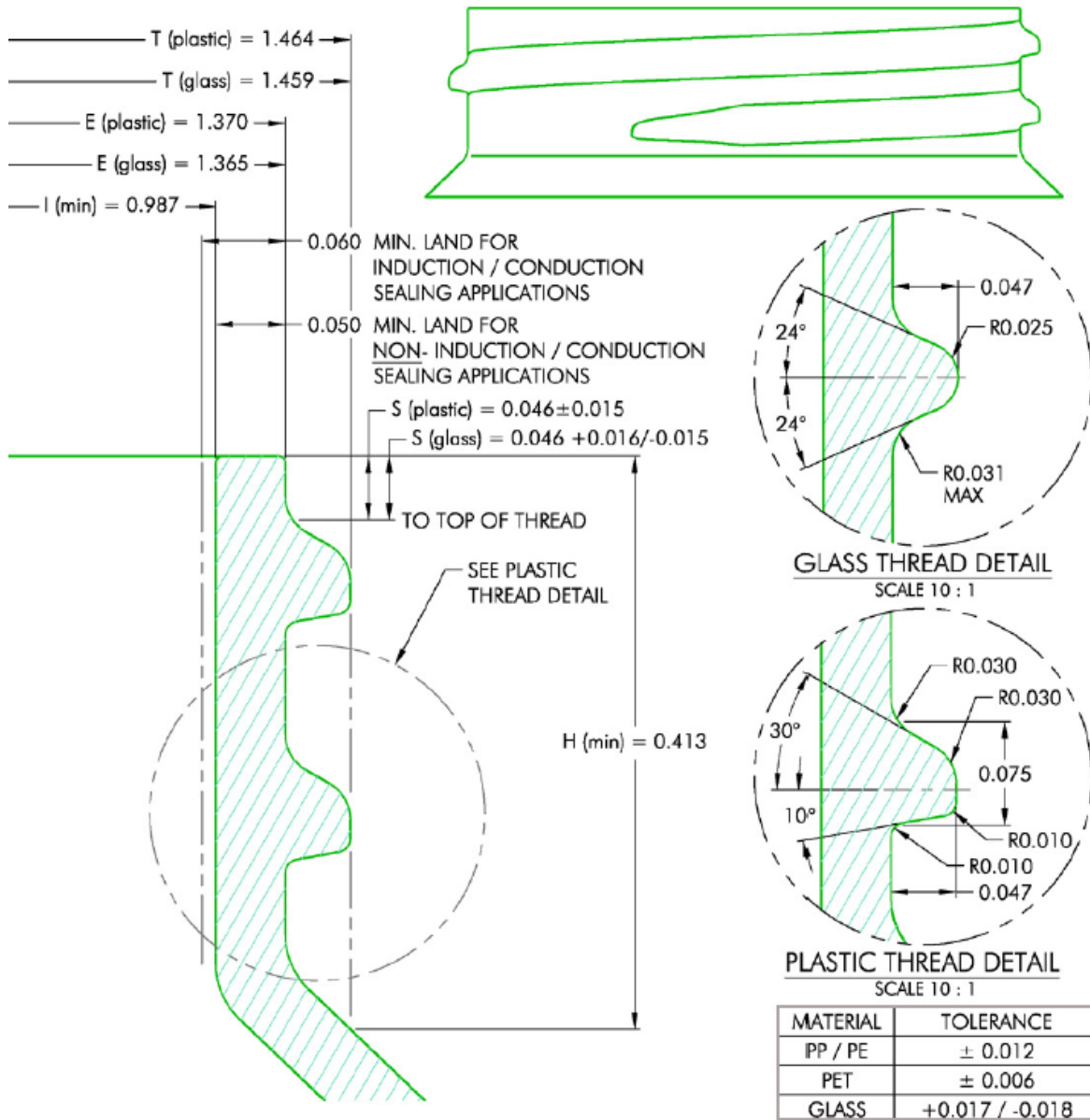
38-CRC-STBK A



NOTES: (UNLESS OTHERWISE SPECIFIED) 1. ALL DIMENSIONS ARE IN INCHES. 2. SEE CHART FOR DIMENSIONAL TOLERANCE.				15	01.17.24	UPDATED RETENTION BEAD STRIP RADIUS TO 0.02"		LD
REV		DATE		DESCRIPTION				BY
TOLERANCE		PITCH/TPI		1.167 / 6	TURNS		345°	MAT'L PP
.X	± 0.1	DRAWN	DMN	DATE	06.29.16	SCALE	2 : 1	REV
.XX	± 0.02	038 - CRC - STBK S						15
.XXX	± 0.010							

VISTA CHILD-RESISTANT CLOSURES

38-CRC-STBK A



NOTES: (UNLESS OTHERWISE SPECIFIED) 1. ALL DIMENSIONS ARE IN INCHES. 2. SEE CHART FOR DIMENSIONAL TOLERANCE. THIS OR FACSIMILE THEREOF IS THE EXCLUSIVE PROPERTY OF PHOENIX AND MAY NOT BE REPRODUCED WITHOUT THE EXPRESSED WRITTEN CONSENT OF PHOENIX. SOME OR ALL OF THE ITEMS DEPICTED ON THIS DRAWING MAY BE COVERED BY CURRENT PATENTS OR PATENTS APPLIED FOR BY PHOENIX.	BF	05.21.18	Released	DN	
	REV	DATE	DESCRIPTION	BY	
	TOLERANCE	PITCH/TPI .167 / 6		TURNS 1-1/4	MAT'L Per Chart
	.X	±0.1	DRAWN BEZ	DATE 08.31.93	SCALE 10 : 1
	.XX	±0.02	38 - 400 - FINISH		REV 0
.XXX	±0.010				