

# 38-400-73 S



## Specifications:

<b>DIAMETER</b>	38 mm
<b>NECK FINISH</b>	38-400
<b>CLOSURE TOP</b>	Smooth
<b>CLOSURE SIDEWALL</b>	Fine Ribbed
<b>MATERIAL</b>	PP, PCR PP

### PACKAGING & FREIGHT INFORMATION

PACK TYPE	PCS/CTN	CTNS/PALT	PCS/PALT	CTN WT*	PALT WT*	FRT CLASS
Bulk	3,750	15	56,250	23 <sup>(1)</sup>	338 <sup>(1)</sup>	125 <sup>(1)</sup>
Bulk	3,750	15	56,250	25 <sup>(2)</sup>	380 <sup>(2)</sup>	125 <sup>(2)</sup>
<b>CARTON DIMENSIONS: 24 x 16 x 15</b>			<b>PALLET DIMENSIONS: 48 x 40 x 50</b>			

(1) Unlined Closures (2) Lined Closures \*Approximate

### MARKETS

Food, Personal Care & Cosmetics,  
Pharmaceuticals, Nutraceuticals, Home Care,  
Dairy Products, and Medical Products

### OPTIONS

Available in white, standard, and custom colors.  
Can be lined with a variety of liner systems.  
Liners can be cut with a tri-tab easy-open feature.  
Offset printing is available in up to four colors.  
Multiple PCR materials available with food-contact  
and non-food options up to 100% PCR.

### CLOSURE BENEFITS

- A great general-purpose closure
- Fine-ribbed sides are easy to grip
- Popular for vitamins and nutraceuticals
- Stocked in white (colors available)

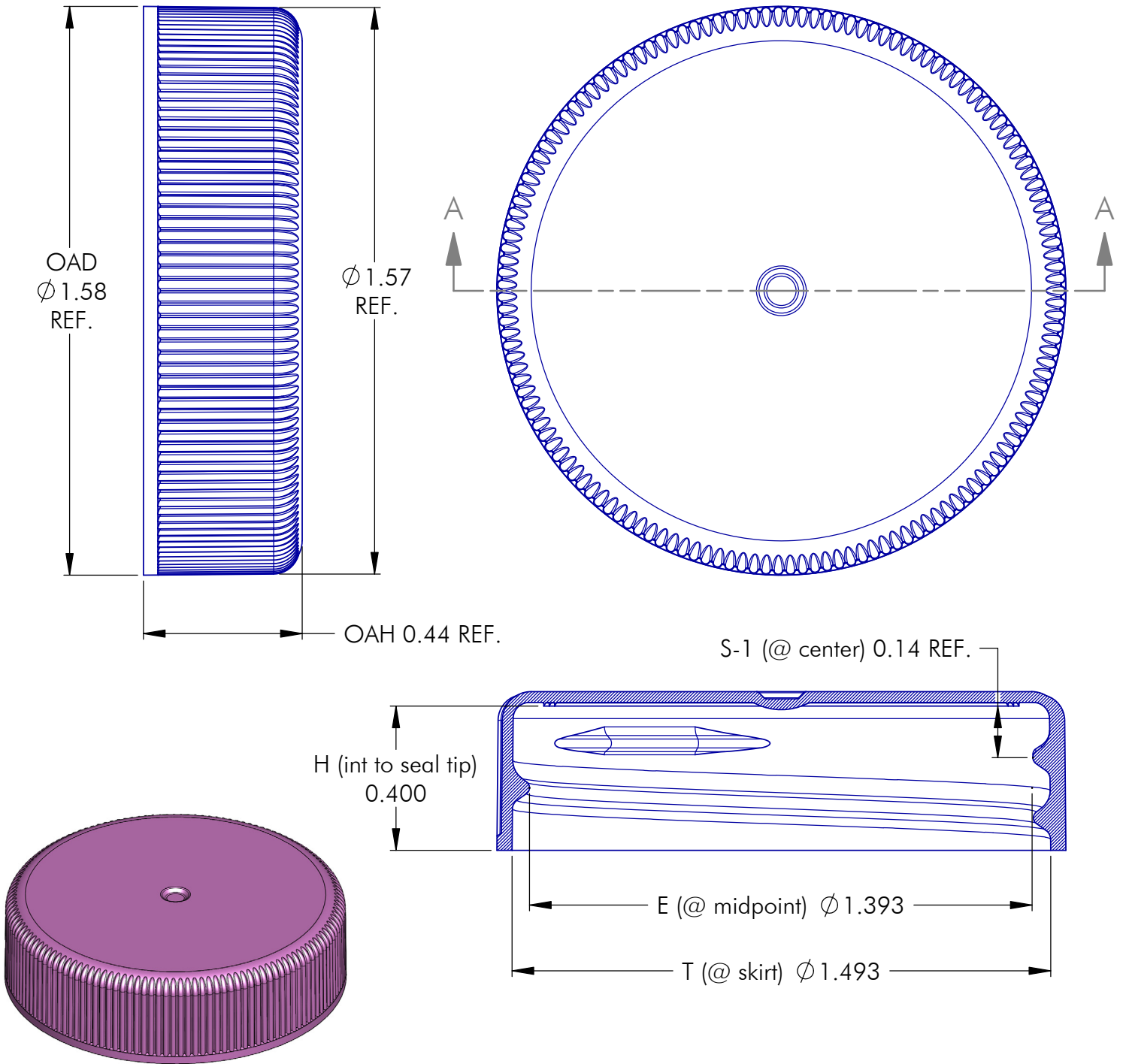


**PHOENIX™**

PHXPKG.COM

P 630 420 4750 E greatpkg@phxpkg.com  
975 Meridian Lake Drive • Aurora, IL 60504

SMOOTH TOP & RIBBED SIDES CLOSURES



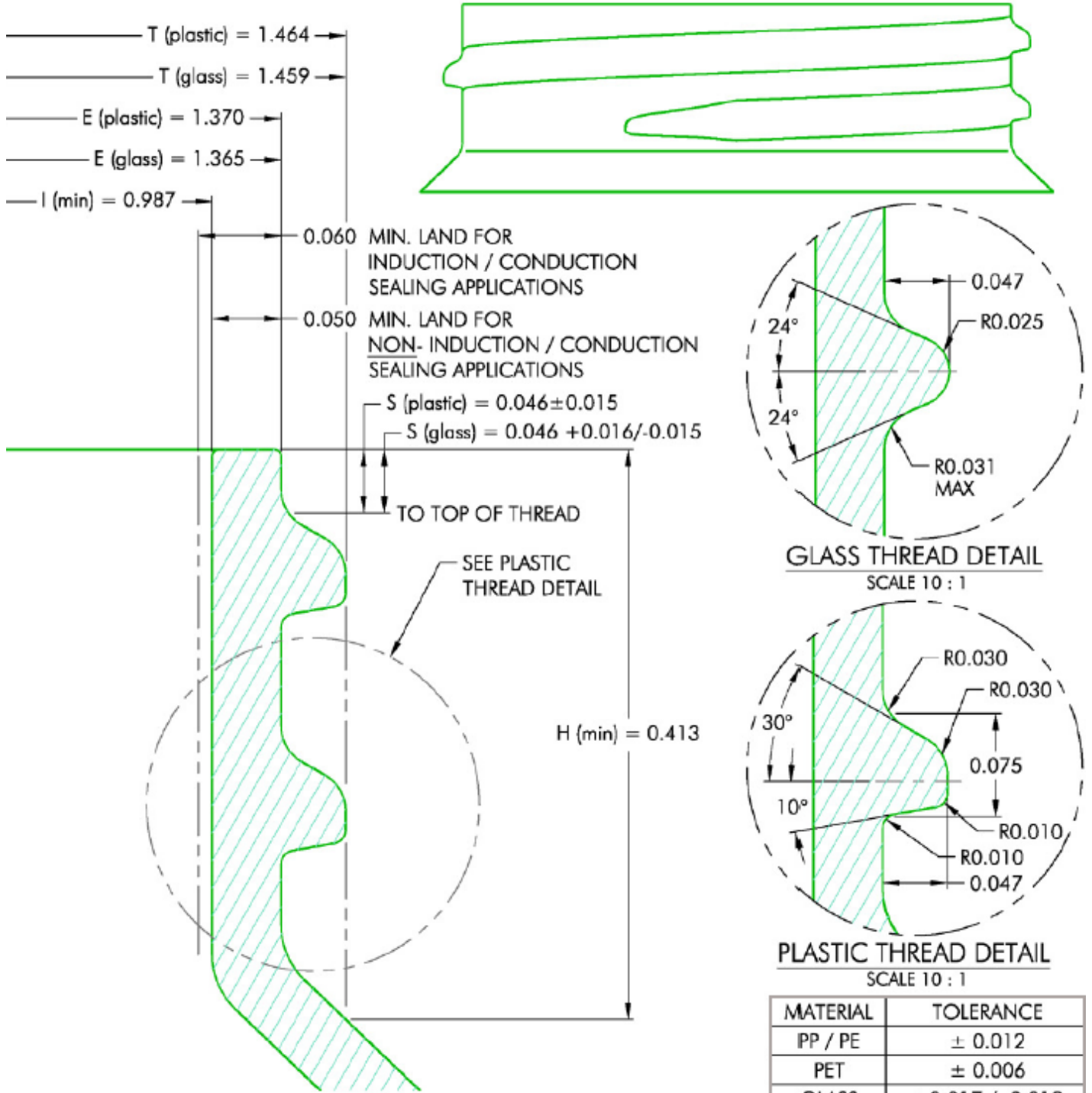
NOTES: (UNLESS OTHERWISE SPECIFIED) 1. ALL DIMENSIONS ARE IN INCHES. 2. SEE CHART FOR DIMENSIONAL TOLERANCE.	1	10.27.10	MODIFIED INT. TOP CORNER RADIUS		DN				
	REV	DATE	DESCRIPTION		BY				
THIS OR FACSIMILE THEREOF IS THE EXCLUSIVE PROPERTY OF PHOENIX AND MAY NOT BE REPRODUCED WITHOUT THE EXPRESSED WRITTEN CONSENT OF PHOENIX. SOME OR ALL OF THE ITEMS DEPICTED ON THIS DRAWING MAY BE COVERED BY CURRENT PATENTS OR PATENTS APPLIED FOR BY PHOENIX.	TOLERANCE	PITCH/TPI	.167 / 6	TURNS	1-3/16	MAT'L	PP		
	.X	±0.1	DRAWN	DMN	DATE	02.20.08	SCALE	5 : 2	REV
	.XX	±0.02	038 - 400 - 73 S					1	
	.XXX	±0.010							



PHXPKG.COM

P 630 420 4750 E greatpkg@phxpkg.com  
 975 Meridian Lake Drive • Aurora, IL 60504

SMOOTH TOP & RIBBED SIDES CLOSURES



MATERIAL	TOLERANCE
PP / PE	$\pm 0.012$
PET	$\pm 0.006$
GLASS	$+0.017 / - 0.018$

NOTES: (UNLESS OTHERWISE SPECIFIED)  
 1. ALL DIMENSIONS ARE IN INCHES.  
 2. SEE CHART FOR DIMENSIONAL TOLERANCE.

BF	05.21.18	Released	DN
REV	DATE	DESCRIPTION	BY
TOLERANCE	PITCH/TPI	TURN	MAT'L
.X $\pm 0.1$	.167 / 6	1-1/4	Per Chart
.XX $\pm 0.02$	DRAWN	DATE	SCALE
.XXX $\pm 0.010$	BEZ	08.31.93	10 : 1
<b>38 - 400 - FINISH</b>			0

THIS OR FACSIMILE THEREOF IS THE EXCLUSIVE PROPERTY OF PHOENIX AND MAY NOT BE REPRODUCED WITHOUT THE EXPRESSED WRITTEN CONSENT OF PHOENIX. SOME OR ALL OF THE ITEMS DEPICTED ON THIS DRAWING MAY BE COVERED BY CURRENT PATENTS OR PATENTS APPLIED FOR BY PHOENIX.



PHXPKG.COM

P 630 420 4750 E greatpkg@phxpkg.com  
 975 Meridian Lake Drive • Aurora, IL 60504