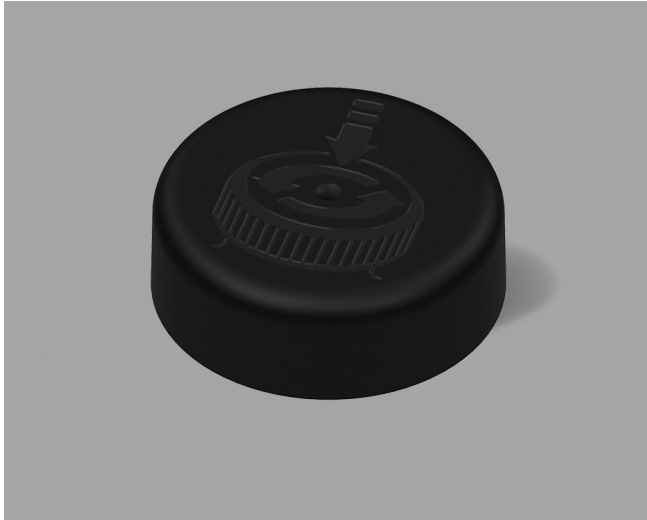


VISTA CHILD-RESISTANT CLOSURES

33-CRC-SMPT A



Specifications:

DIAMETER 33 mm

THREAD PROFILE CRC

NECK FINISH 33-CRC

CLOSURE TOP Debossed Pictogram

CLOSURE SIDEWALL Smatte™

MATERIAL PP

PACKAGING & FREIGHT INFORMATION

PACK TYPE	PCS/CTN	CTNS/PALT	PCS/PALT	CTN WT*	PALT WT*	FRT CLASS
Bulk	2,500	15	37,500	TBD ⁽¹⁾	TBD ⁽¹⁾	TBD ⁽¹⁾
Bulk	2,500	15	37,500	TBD ⁽²⁾	TBD ⁽²⁾	TBD ⁽²⁾
CARTON DIMENSIONS: 24 x 16 x 15			PALLET DIMENSIONS: 48 x 40 x 50			

(1) Unlined Closures (2) Lined Closures *Approximate

MARKETS

Vitamins, Nutraceuticals, Pharmaceuticals, Supplements, Agricultural Products, Automotive Products, Household Chemicals, Cosmetics, Industrial Products, Cannabis, and Nutritional Powders

OPTIONS

Available in white, standard, and custom colors. Can be lined with a wide variety of liner systems including SureSeal (foam). Optional 25-30% food-contact safe PCR PP material available.

CLOSURE BENEFITS

- Patented Smatte™ finish for a sleek look
- Offers child-resistance feature
- Vista® 2-piece CRC
- Push-and-turn
- Debossed with pictogram instructions
- Popular for vitamins & nutraceuticals

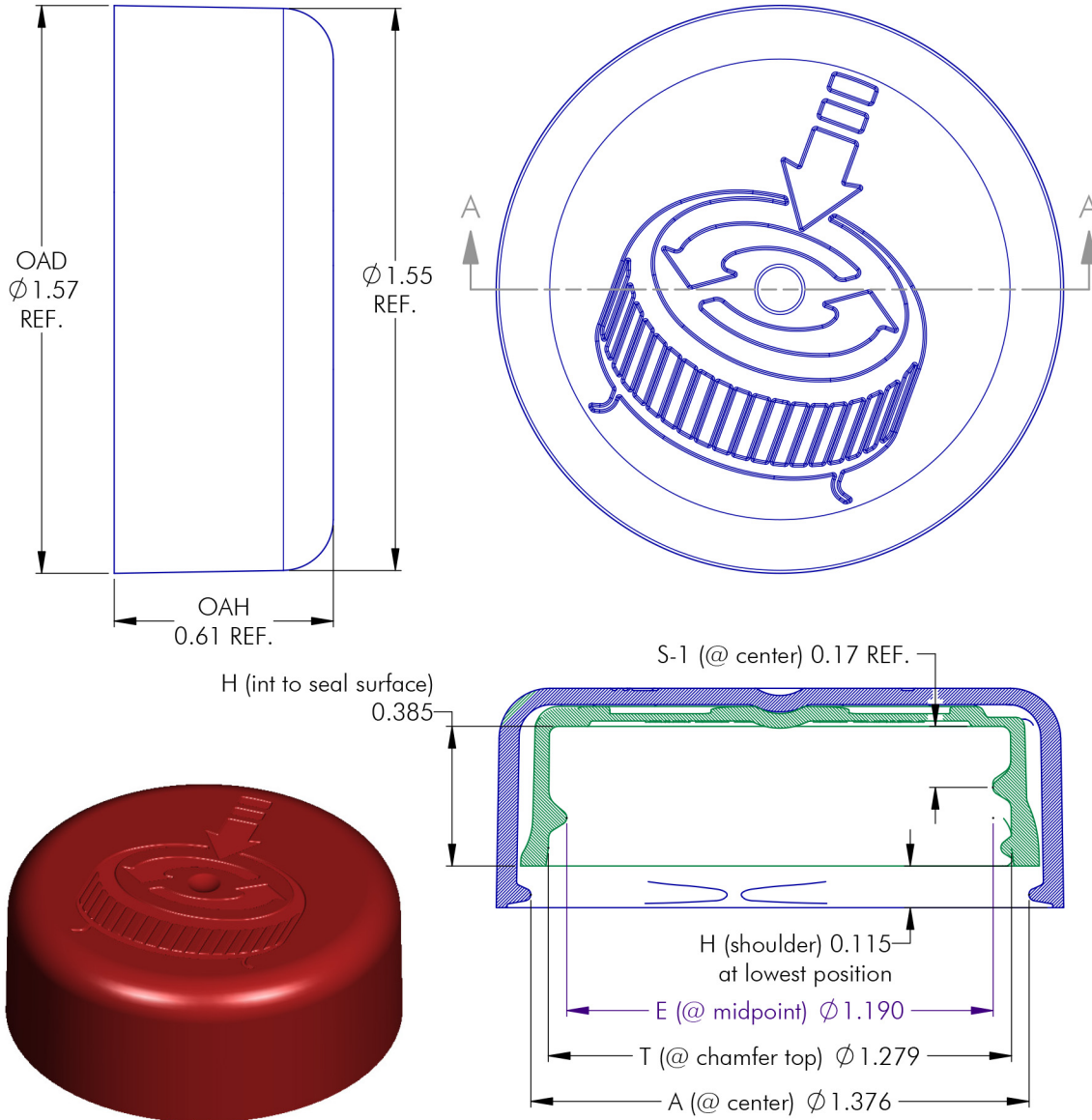


PHXPKG.COM

P 630 420 4750 E greatpkg@phxpkg.com
975 Meridian Lake Drive • Aurora, IL 60504

VISTA CHILD-RESISTANT CLOSURES

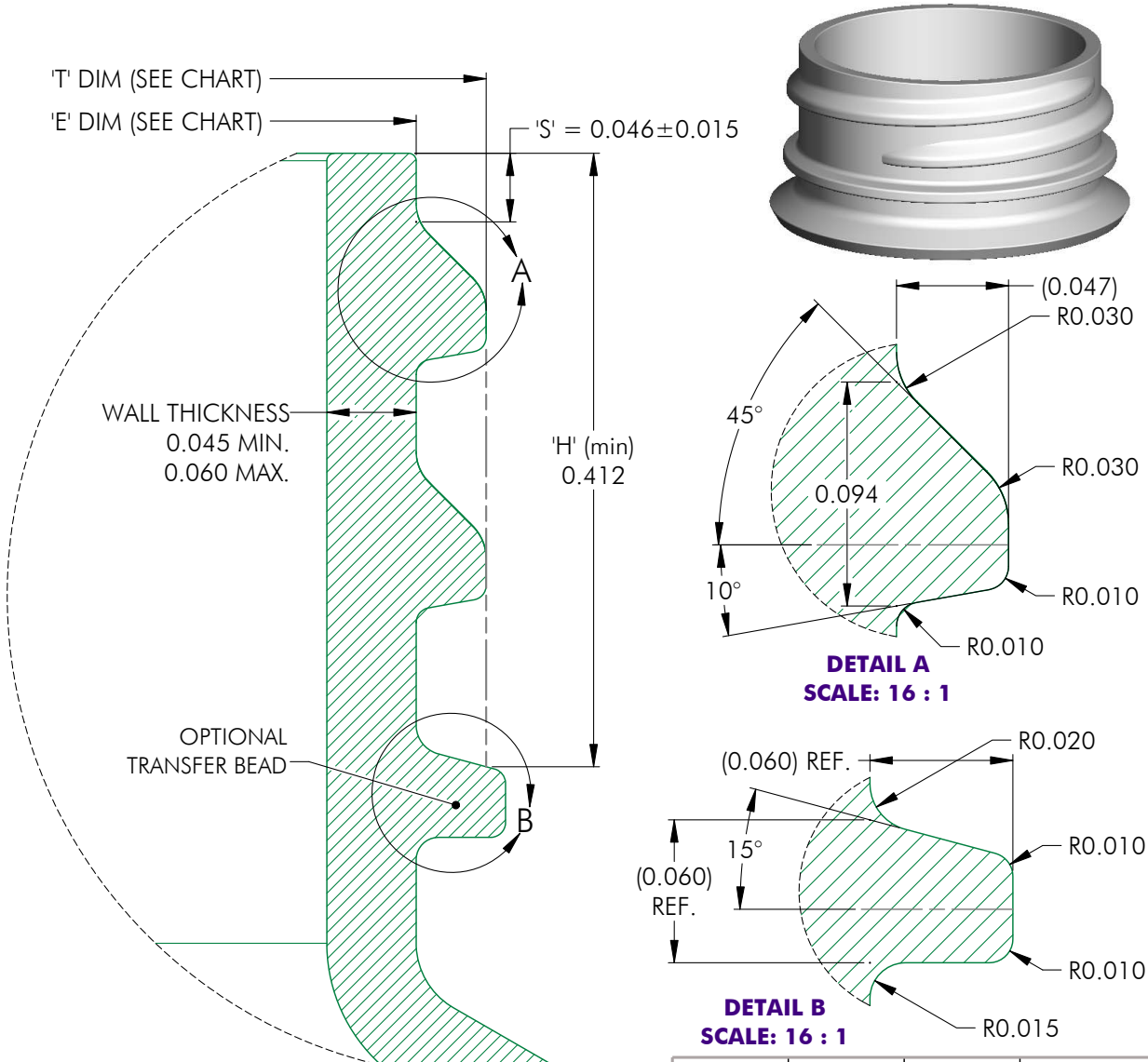
33-CRC-SMPT A



NOTES: (UNLESS OTHERWISE SPECIFIED)				2		09.27.19		Update 'E' Dim. to Reflect Production		DN		
1. ALL DIMENSIONS ARE IN INCHES.				REV	DATE		DESCRIPTION				BY	
2. SEE CHART FOR DIMENSIONAL TOLERANCE.				TOLERANCE		PITCH/TPI		.167 / 6		TURNS 345°		MATL PP
THIS OR FACSIMILE THEREOF IS THE EXCLUSIVE PROPERTY OF PHOENIX AND MAY NOT BE REPRODUCED WITHOUT THE EXPRESSED WRITTEN CONSENT OF PHOENIX. SOME OR ALL OF THE ITEMS DEPICTED ON THIS DRAWING MAY BE COVERED BY CURRENT PATENTS OR PATENTS APPLIED FOR BY PHOENIX.				.X \pm 0.1		DRAWN DMN		DATE 06.24.19		SCALE 5 : 2		REV
				.XX \pm 0.02		33 - CRC - SMPT S		2				
				.XXX \pm 0.010								

VISTA CHILD-RESISTANT CLOSURES

33-CRC-SMPT A



MATERIAL	T (mean)	E (mean)	TOLERANCE
PP / PE	1.253	1.159	± 0.012
PET	1.257	1.163	± 0.008
GLASS	0.0000	0.0000	± 0.0000

<p>NOTES: (UNLESS OTHERWISE SPECIFIED) 1. ALL DIMENSIONS ARE IN INCHES. 2. SEE CHART FOR DIMENSIONAL TOLERANCE.</p> <p>THIS OR FACSIMILE THEREOF IS THE EXCLUSIVE PROPERTY OF PHOENIX AND MAY NOT BE REPRODUCED WITHOUT THE EXPRESSED WRITTEN CONSENT OF PHOENIX. SOME OR ALL OF THE ITEMS DEPICTED ON THIS DRAWING MAY BE COVERED BY CURRENT PATENTS OR PATENTS APPLIED FOR BY PHOENIX.</p>	1	03.13.17	Update wall thickness to reflect Market	DN	
	REV	DATE	DESCRIPTION	BY	
	TOLERANCE	PITCH/TPI .167 / 6 TURNS 1-1/8 MAT'L PER CHART			
	.X ±0.1	DRAWN DMN	DATE 03.13.17	SCALE 10 : 1	REV
	.XX ±0.02	33 - 400 - FINISH			1
.XXX ±0.010					