

SHALLOW SKIRTED CLOSURES

33-400-86 S



Specifications:

DIAMETER 33 mm
THREAD PROFILE 400
NECK FINISH 33-400
CLOSURE TOP Stipple
CLOSURE SIDEWALL Smooth
MATERIAL PP

PACKAGING & FREIGHT INFORMATION

PACK TYPE	PCS/CTN	CTNS/PALT	PCS/PALT	CTN WT*	PALT WT*	FRT CLASS
Bulk	5,000	15	75,000	32 ⁽¹⁾	474 ⁽¹⁾	100 ⁽¹⁾
CARTON DIMENSIONS: 24 x 16 x 15			PALLET DIMENSIONS: 48 x 40 x 50			

(1) Unlined Closures (2) Lined Closures *Approximate

MARKETS

Dressings & Sauces, Food, Food Service, Personal Care & Cosmetics.

CLOSURE BENEFITS

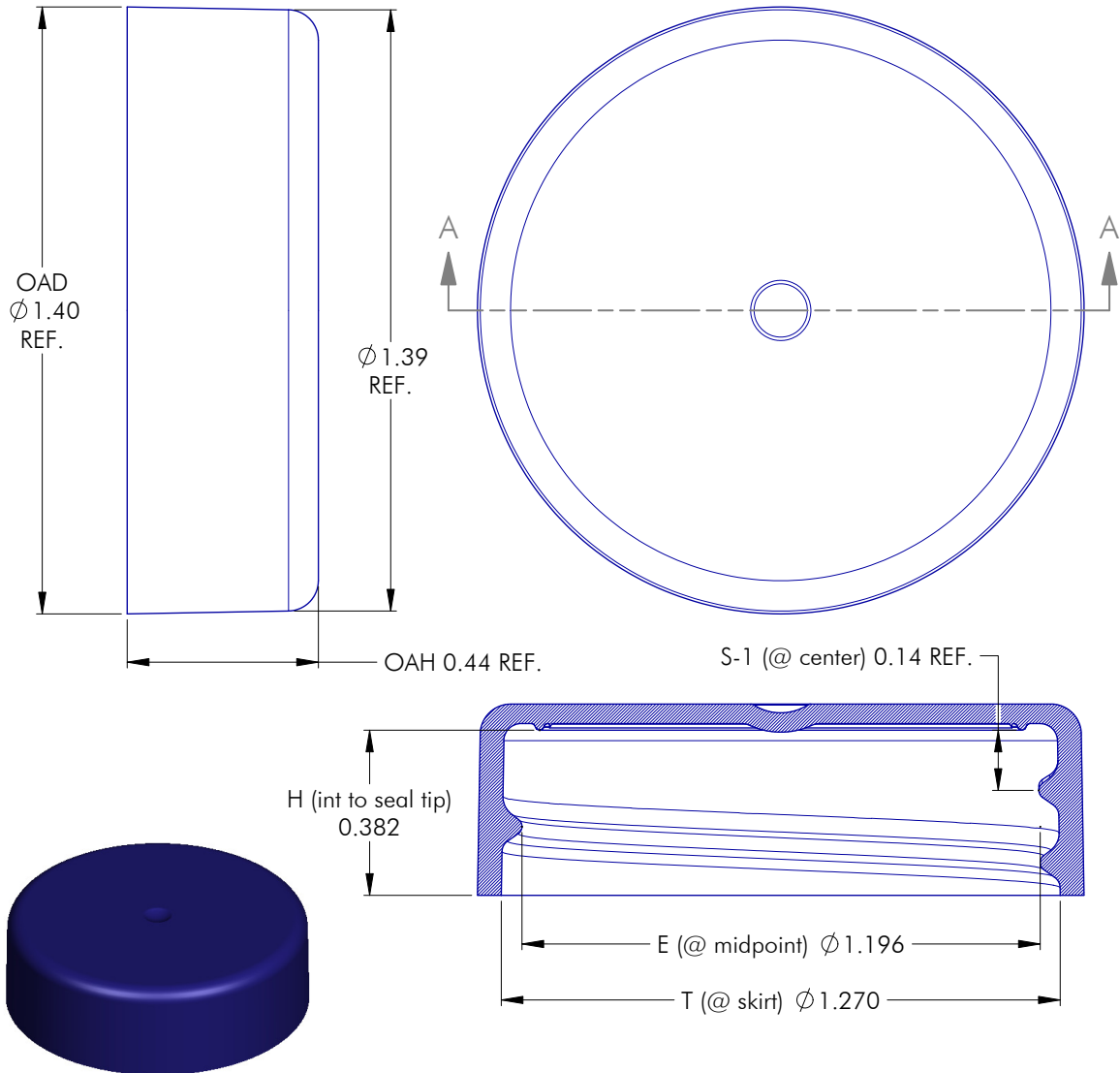
- Popular for mayonnaise products and dressings

OPTIONS

Available in white, standard colors and custom colors.

SHALLOW SKIRTED CLOSURES

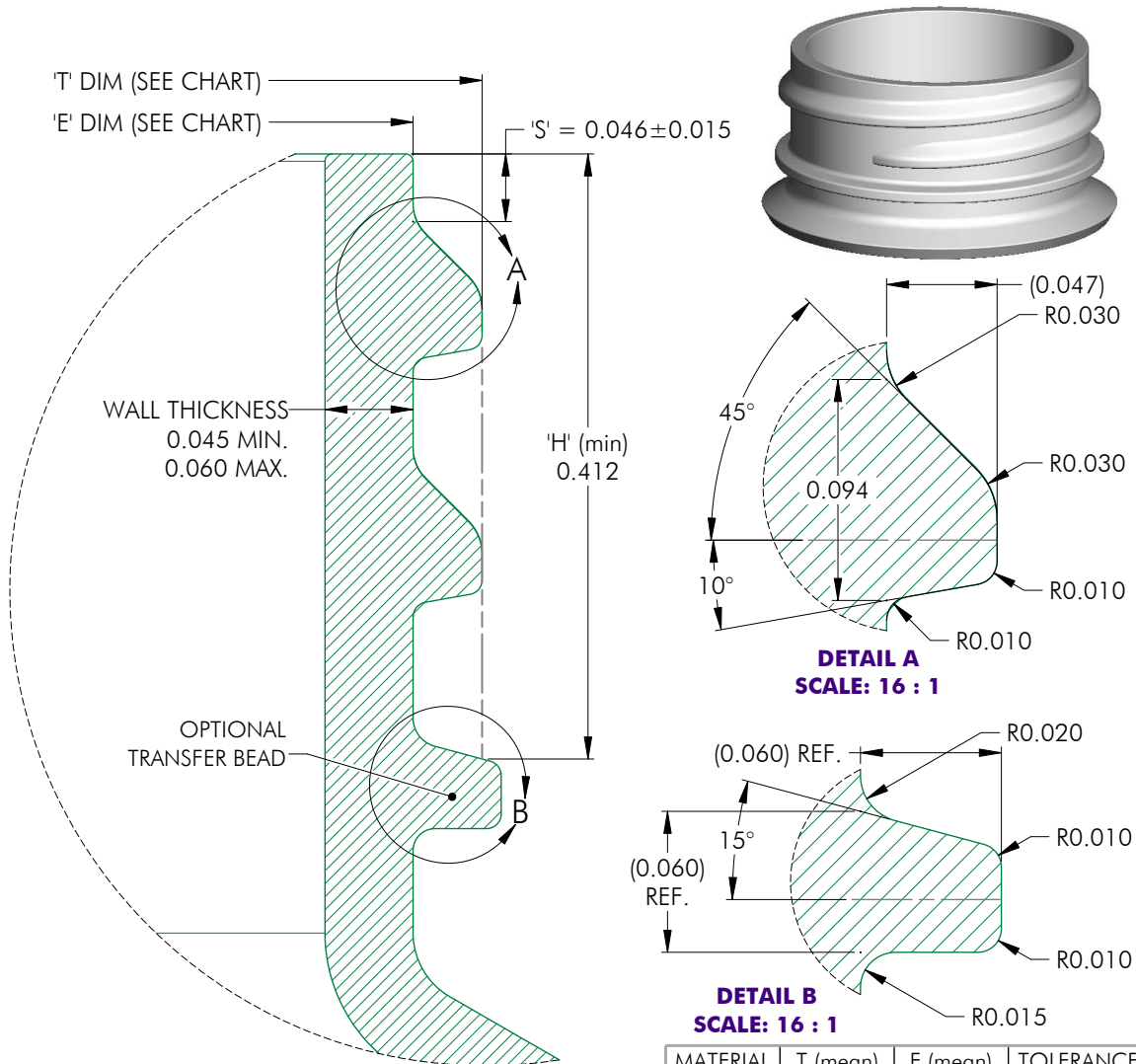
33-400-86 S



NOTES: (UNLESS OTHERWISE SPECIFIED)				4	07.26.12	Modified Seal Ring Profile	DN	
1. ALL DIMENSIONS ARE IN INCHES.				REV	DATE	DESCRIPTION	BY	
2. SEE CHART FOR DIMENSIONAL TOLERANCE.				TOLERANCE	PITCH/TPI	.167 / 6	TURNS 1-1/8	
THIS OR FACSIMILE THEREOF IS THE EXCLUSIVE PROPERTY OF PHOENIX AND MAY NOT BE REPRODUCED WITHOUT THE EXPRESSED WRITTEN CONSENT OF PHOENIX. SOME OR ALL OF THE ITEMS DEPICTED ON THIS DRAWING MAY BE COVERED BY CURRENT PATENTS OR PATENTS APPLIED FOR BY PHOENIX.				.X	±0.1	DRAWN DMN	DATE 05.23.12	
				.XX	±0.02	SCALE 3 : 1	REV	
				.XXX	±0.010	33 - 400 - 86 S		4

SHALLOW SKIRTED CLOSURES

33-400-86 S



MATERIAL	T (mean)	E (mean)	TOLERANCE
PP / PE	1.253	1.159	± 0.012
PET	1.257	1.163	± 0.008
GLASS	0.0000	0.0000	± 0.0000

NOTES: (UNLESS OTHERWISE SPECIFIED) 1. ALL DIMENSIONS ARE IN INCHES. 2. SEE CHART FOR DIMENSIONAL TOLERANCE. THIS OR FACSIMILE THEREOF IS THE EXCLUSIVE PROPERTY OF PHOENIX AND MAY NOT BE REPRODUCED WITHOUT THE EXPRESSED WRITTEN CONSENT OF PHOENIX. SOME OR ALL OF THE ITEMS DEPICTED ON THIS DRAWING MAY BE COVERED BY CURRENT PATENTS OR PATENTS APPLIED FOR BY PHOENIX.	1	03.13.17	Update wall thickness to reflect Market	DN
	REV	DATE	DESCRIPTION	BY
	TOLERANCE	PITCH/TP/1.167 / 6 TURNS 1-1/8 MAT'L PER CHART		
	.X ±0.1	DRAWN DMN	DATE 03.13.17	SCALE 10 : 1
	.XX ±0.02	33 - 400 - FINISH		
.XXX ±0.010				1