

OASIS DISPENSING CLOSURES

28-DIS-CS25 U



Specifications:

- DIAMETER** 28 mm
- THREAD PROFILE** 410
- NECK FINISH** 28-410
- CLOSURE TYPE** Flip-top dispensing
- CLOSURE TOP** Smooth
- CLOSURE SIDEWALL** Smooth
- MATERIAL** PP

PACKAGING & FREIGHT INFORMATION

PACK TYPE	PCS/CTN	CTNS/PALT	PCS/PALT	CTN WT*	PALT WT*	FRT CLASS
Bulk	3,100	15	46,500	28 ⁽¹⁾	459 ⁽¹⁾	100 ⁽¹⁾
CARTON DIMENSIONS: 24 x 16 x 15			PALLET DIMENSIONS: 48 x 40 x 50			

(1) Unlined Closures (2) Lined Closures *Approximate

MARKETS

Hand sanitizer, Liquid Soaps, Shampoos, Skin Care, Gels, Lotions, Cleansers, Cleansing Liquids

OPTIONS

Available in white, standard, and custom colors.

CLOSURE BENEFITS

- 0.25" orifice
- Oasis Flip-Top Dispensing Closure
- Crab-claw linerless seal
- Smooth gloss finish
- Leak-free design
- Popular for hand sanitizers
- Popular for personal care items

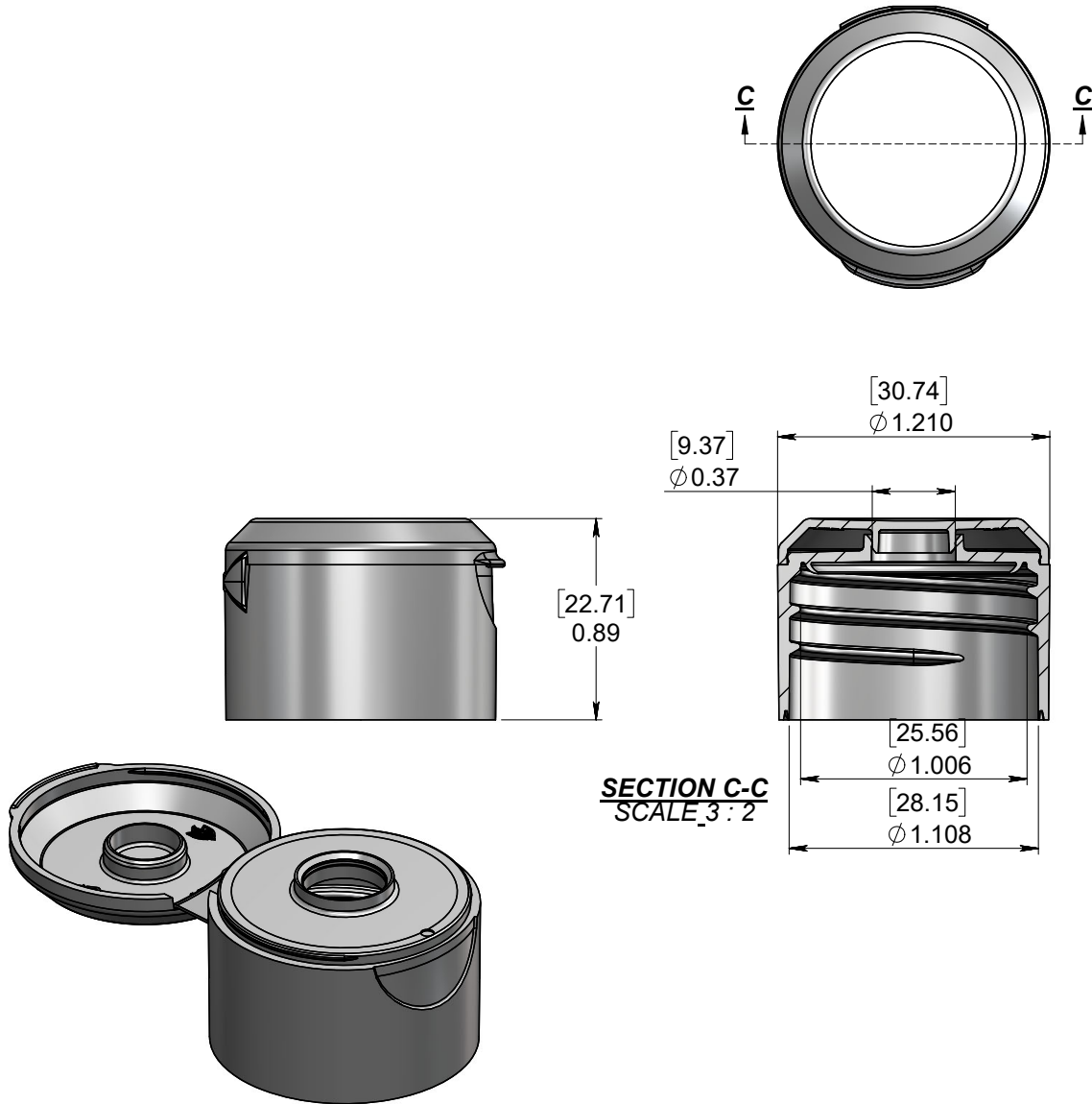


PHXPKG.COM

P 630 420 4750 E greatpkg@phxpkg.com
975 Meridian Lake Drive • Aurora, IL 60504

OASIS DISPENSING CLOSURES

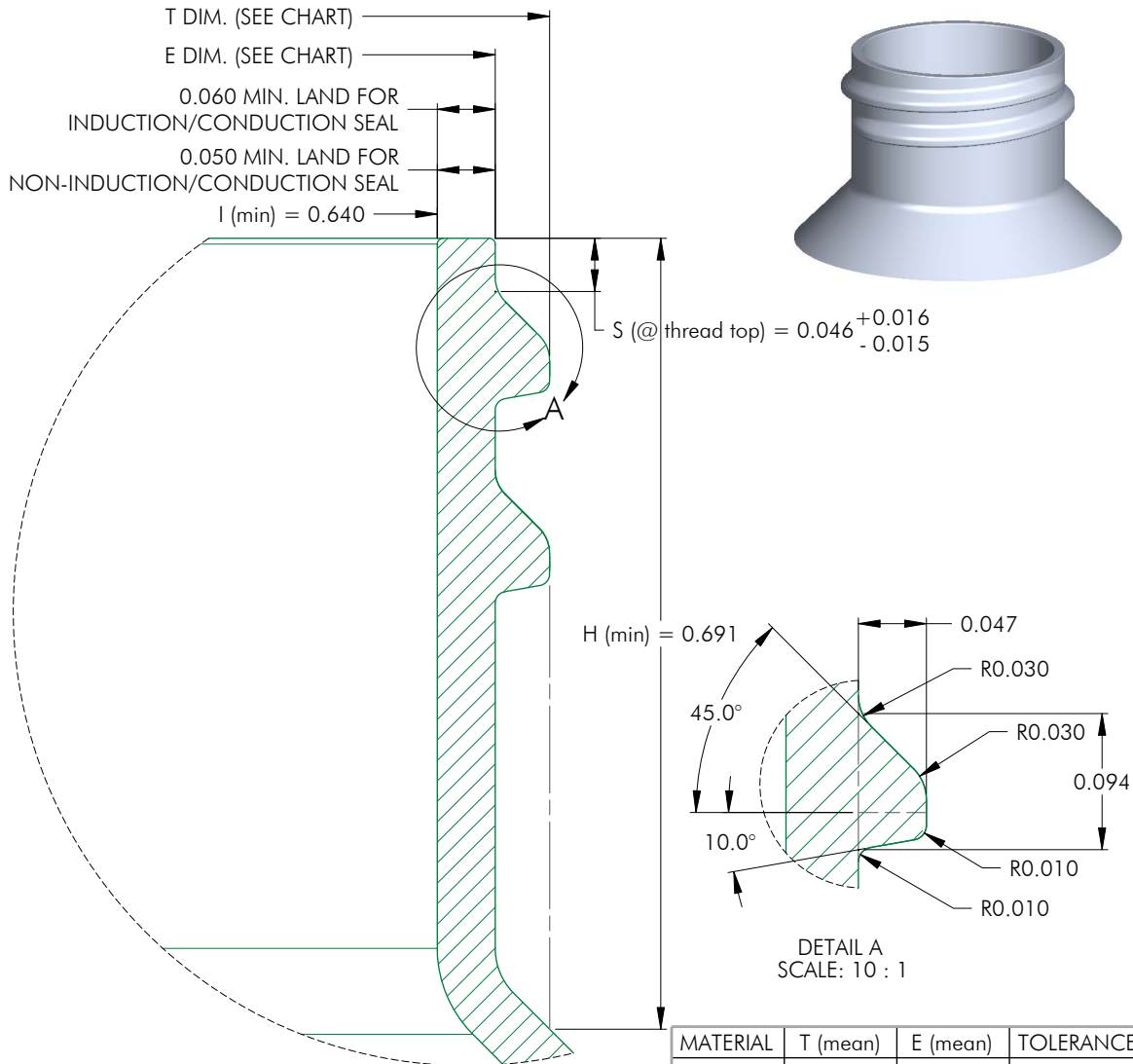
28-DIS-CS25 U



<p>NOTES: (UNLESS OTHERWISE SPECIFIED) 1. ALL DIMENSIONS ARE IN INCHES. 2. SEE CHART FOR DIMENSIONAL TOLERANCE.</p> <p>THIS OR FACSIMILE THEREOF IS THE EXCLUSIVE PROPERTY OF PHOENIX AND MAY NOT BE REPRODUCED WITHOUT THE EXPRESSED WRITTEN CONSENT OF PHOENIX. SOME OR ALL OF THE ITEMS DEPICTED ON THIS DRAWING MAY BE COVERED BY CURRENT PATENTS OR PATENTS APPLIED FOR BY PHOENIX.</p>	D	04.20.20	Finalize Design, Add PCI Logo			TCS			
	REV	DATE	DESCRIPTION			BY			
			TOLERANCE	PITCH/TPI	.167 / 6	TURNS	1	MAT'L	PP
	.X	±0.1	DRAWN	RAG	DATE	04.16.20	SCALE	1.5 : 1	REV
	.XX	±0.02	028 - DIS - CS38 U			D			
.XXX	±0.010								

OASIS DISPENSING CLOSURES

28-DIS-CS25 U



MATERIAL	T (mean)	E (mean)	TOLERANCE
PP / PE	1.078	0.984	± 0.010
PET	1.078	0.984	± 0.006
GLASS	N/A	N/A	± N/A

<p>NOTES: (UNLESS OTHERWISE SPECIFIED) 1. ALL DIMENSIONS ARE IN INCHES. 2. SEE CHART FOR DIMENSIONAL TOLERANCE.</p> <p>THIS OR FACSIMILE THEREOF IS THE EXCLUSIVE PROPERTY OF PHOENIX AND MAY NOT BE REPRODUCED WITHOUT THE EXPRESSED WRITTEN CONSENT OF PHOENIX. SOME OR ALL OF THE ITEMS DEPICTED ON THIS DRAWING MAY BE COVERED BY CURRENT PATENTS OR PATENTS APPLIED FOR BY PHOENIX.</p>	0	10.19.18	Released	BZ				
	REV	DATE	DESCRIPTION	BY				
	TOLERANCE	PITCH/TPI	.167 / 6	TURNS	1-1/4	MAT'L	PER CHART	
	.X	±0.1	DRAWN	BEZ	DATE	10.19.04	SCALE	8 : 1
.XX	±0.02	28 - 410 - FINISH				0		
.XXX	±0.010							