

28-DIS-CR19 U



Specifications:

DIAMETER	28 mm
NECK FINISH	28-410
CLOSURE TYPE	Flip-top dispensing
CLOSURE TOP	Smooth
CLOSURE SIDEWALL	Ribbed
MATERIAL	PP, PCR PP
ORIFICE	0.187"

PACKAGING & FREIGHT INFORMATION

PACK TYPE	PCS/CTN	CTNS/PALT	PCS/PALT	CTN WT*	PALT WT*	FRT CLASS
Bulk	3,100	15	46,500	29 ⁽¹⁾	464 ⁽¹⁾	100 ⁽¹⁾
CARTON DIMENSIONS: 24 x 16 x 15			PALLET DIMENSIONS: 48 x 40 x 50			

(1) Unlined Closures (2) Lined Closures *Approximate

MARKETS

Hand Sanitizer, Liquid Soaps, Shampoos, Skin Care, Gels, Lotions, Food, Syrup, Honey, Cleansers, Cleaning Liquids

OPTIONS

Available in white, standard, and custom colors. Leak-free linerless and liner options. PCR material available for non-food up to 100%.

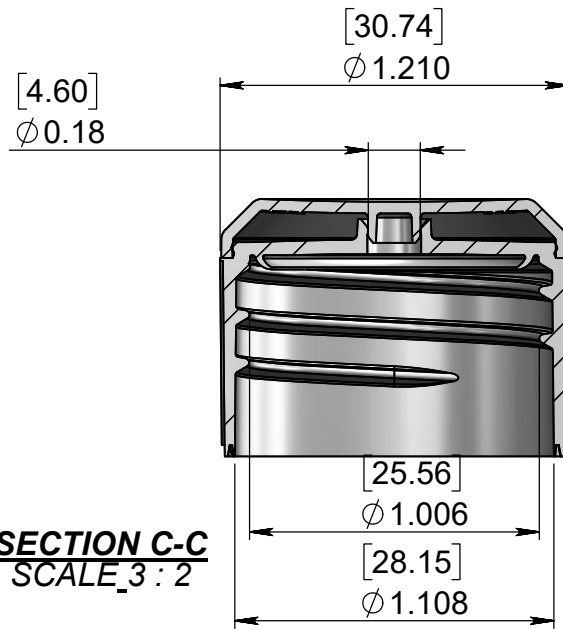
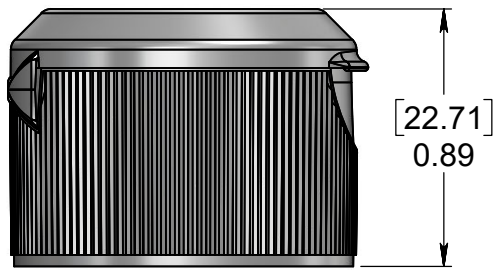
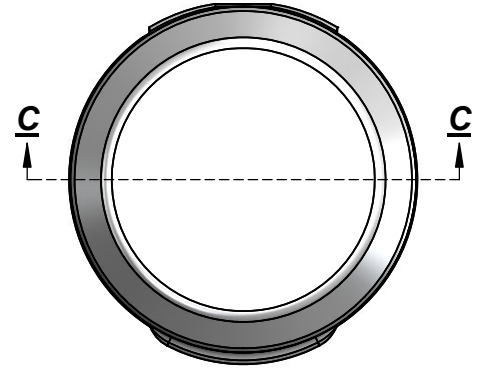
CLOSURE BENEFITS

- 0.187" orifice
- Oasis Flip-Top Dispensing Closure
- Crab-claw linerless seal
- Leak-free design
- Popular for hand sanitizers
- Popular for personal care items

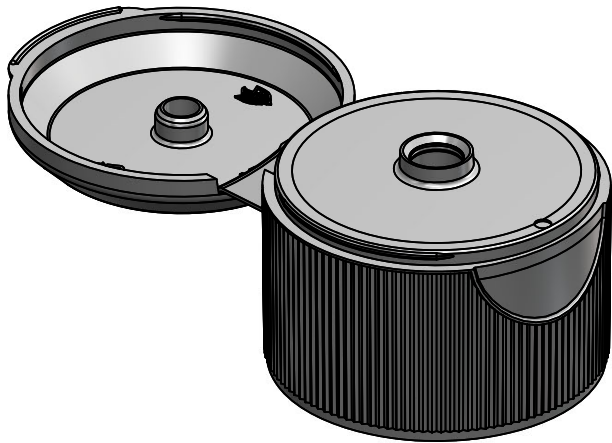


PHXPKG.COM

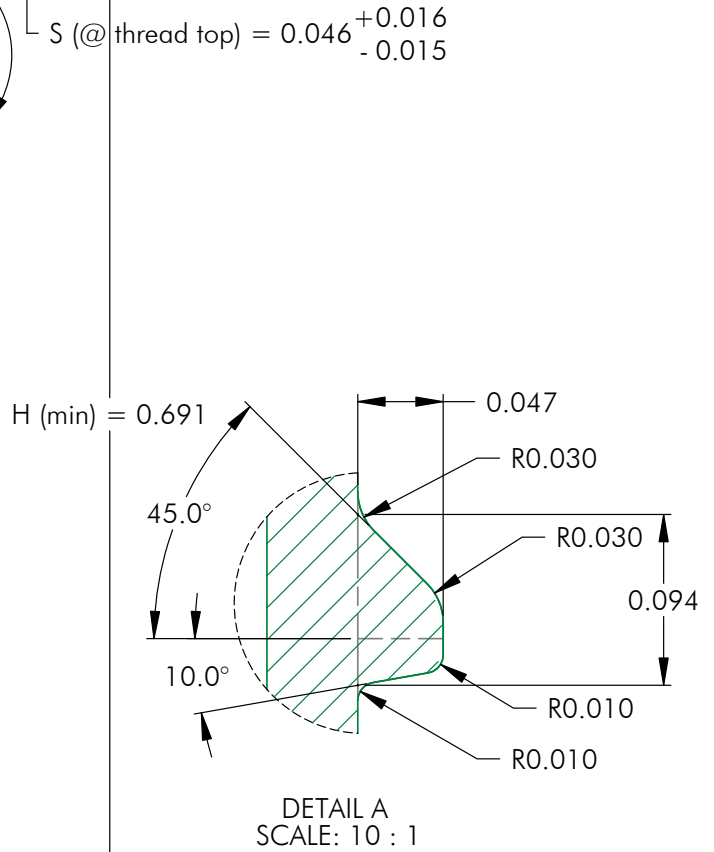
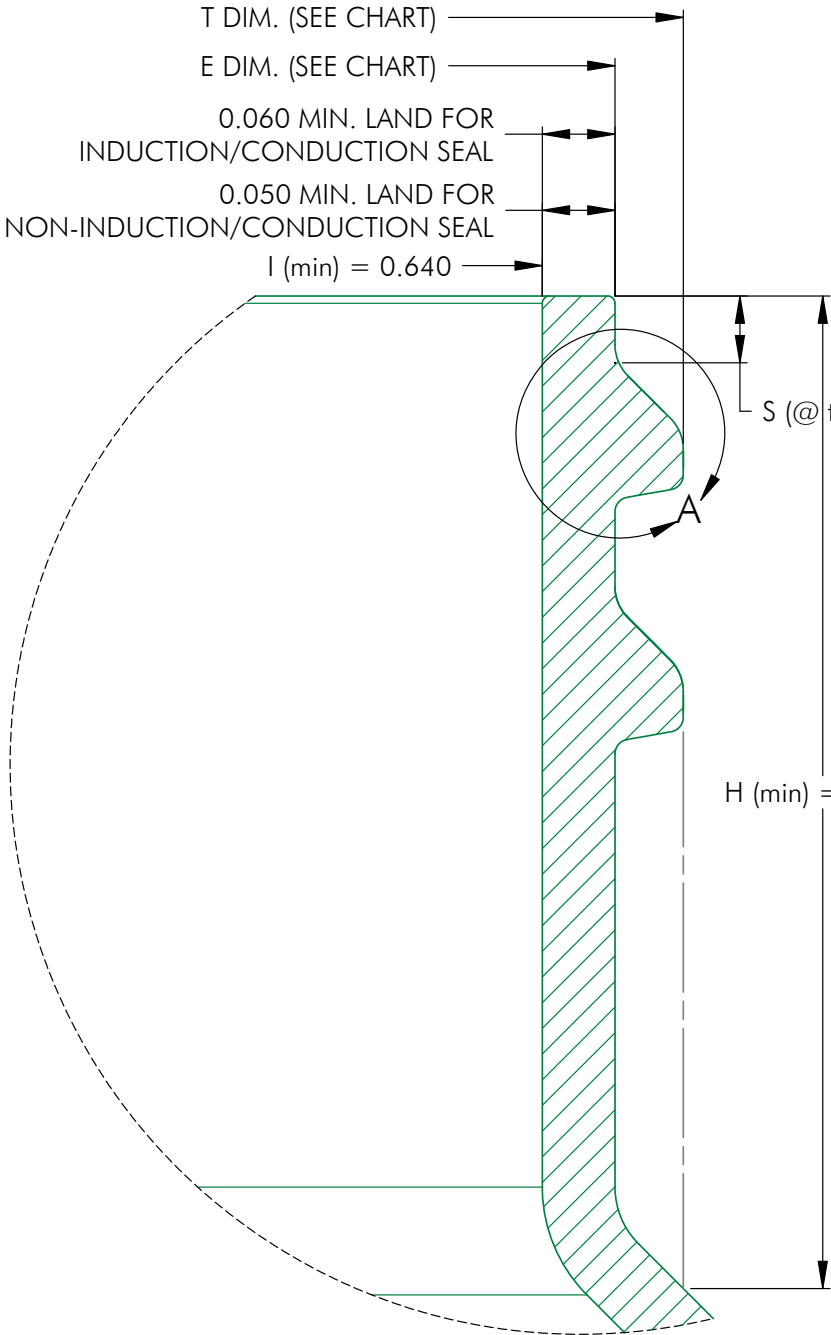
P 630 420 4750 E greatpkg@phxpkg.com
975 Meridian Lake Drive • Aurora, IL 60504



SECTION C-C
SCALE 3 : 2



NOTES: (UNLESS OTHERWISE SPECIFIED) 1. ALL DIMENSIONS ARE IN INCHES. 2. SEE CHART FOR DIMENSIONAL TOLERANCE. THIS OR FACSIMILE THEREOF IS THE EXCLUSIVE PROPERTY OF PHOENIX AND MAY NOT BE REPRODUCED WITHOUT THE EXPRESSED WRITTEN CONSENT OF PHOENIX. SOME OR ALL OF THE ITEMS DEPICTED ON THIS DRAWING MAY BE COVERED BY CURRENT PATENTS OR PATENTS APPLIED FOR BY PHOENIX.	D	04.20.20	Finalize Design, Add PCI Logo	TCS					
	REV	DATE	DESCRIPTION	BY					
	TOLERANCE	PITCH/TPI	.167 / 6	TURNS	1	MAT'L	PP		
	.X	±0.1	DRAWN	RAG	DATE	04.16.20	SCALE	1.5 : 1	REV
.XX	±0.02	028 - DIS - CR19 U							D
.XXX	±0.010								



MATERIAL	T (mean)	E (mean)	TOLERANCE
PP / PE	1.078	0.984	± 0.010
PET	1.078	0.984	± 0.006
GLASS	N/A	N/A	± N/A

NOTES: (UNLESS OTHERWISE SPECIFIED)
 1. ALL DIMENSIONS ARE IN INCHES.
 2. SEE CHART FOR DIMENSIONAL TOLERANCE.

0	10.19.18	Released	BZ
REV	DATE	DESCRIPTION	BY
TOLERANCE	PITCH/TPI .167 / 6	TURNS 1-1/4	MAT'L PER CHART
.X ±0.1	DRAWN BEZ	DATE 10.19.04	SCALE 8 : 1
.XX ±0.02	28 - 410 - FINISH		REV
.XXX ±0.010			0

THIS OR FACSIMILE THEREOF IS THE EXCLUSIVE PROPERTY OF PHOENIX AND MAY NOT BE REPRODUCED WITHOUT THE EXPRESSED WRITTEN CONSENT OF PHOENIX. SOME OR ALL OF THE ITEMS DEPICTED ON THIS DRAWING MAY BE COVERED BY CURRENT PATENTS OR PATENTS APPLIED FOR BY PHOENIX.



PHXPKG.COM

P 630 420 4750 E greatpkg@phxpkg.com
 975 Meridian Lake Drive • Aurora, IL 60504