

# 24-DIS-CR13 U



## Specifications:

<b>DIAMETER</b>	24 mm
<b>NECK FINISH</b>	24-410
<b>CLOSURE TYPE</b>	Flip-top dispensing
<b>CLOSURE TOP</b>	Smooth
<b>CLOSURE SIDEWALL</b>	Ribbed
<b>MATERIAL</b>	PP, PCR PP
<b>ORIFICE</b>	0.125"

### PACKAGING & FREIGHT INFORMATION

PACK TYPE	PCS/CTN	CTNS/PALT	PCS/PALT	CTN WT*	PALT WT*	FRT CLASS
Bulk	4,650	15	69,750	33 <sup>(1)</sup>	533 <sup>(1)</sup>	100 <sup>(1)</sup>
<b>CARTON DIMENSIONS: 24 x 16 x 15</b>			<b>PALLET DIMENSIONS: 48 x 40 x 50</b>			

(1) Unlined Closures (2) Lined Closures \*Approximate

### MARKETS

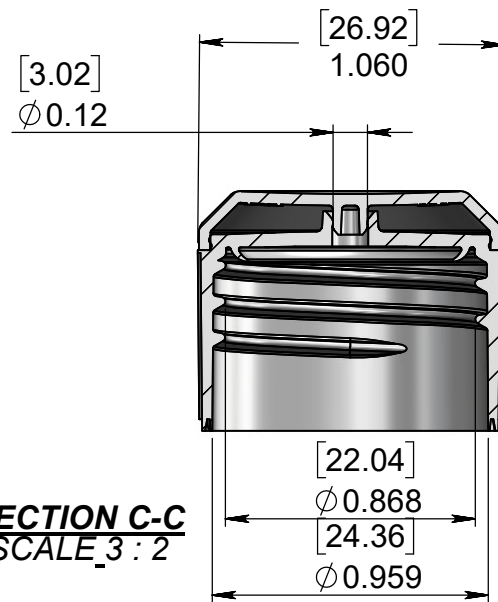
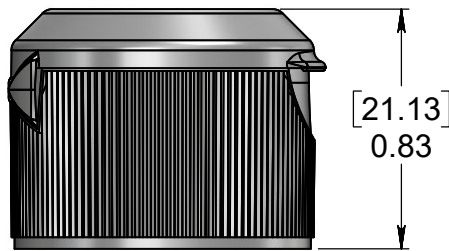
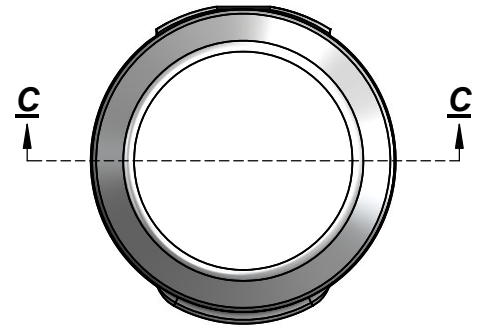
Hand Sanitizer, Liquid Soaps, Shampoos, Skin Care, Gels, Lotions, Food, Syrup, Honey, Cleansers, Cleaning Liquids

### OPTIONS

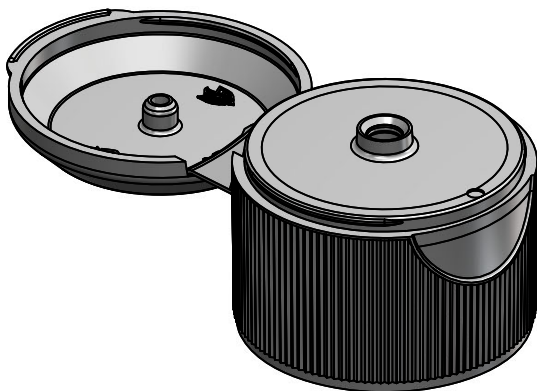
Available in white, standard, and custom colors. Leak-free linerless and liner options. PCR material available for non-food up to 100%.

### CLOSURE BENEFITS

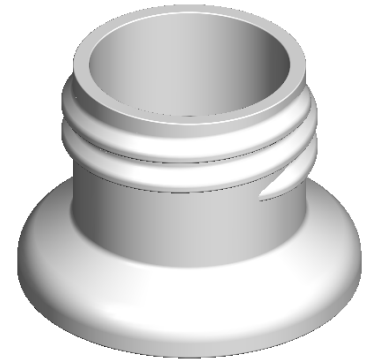
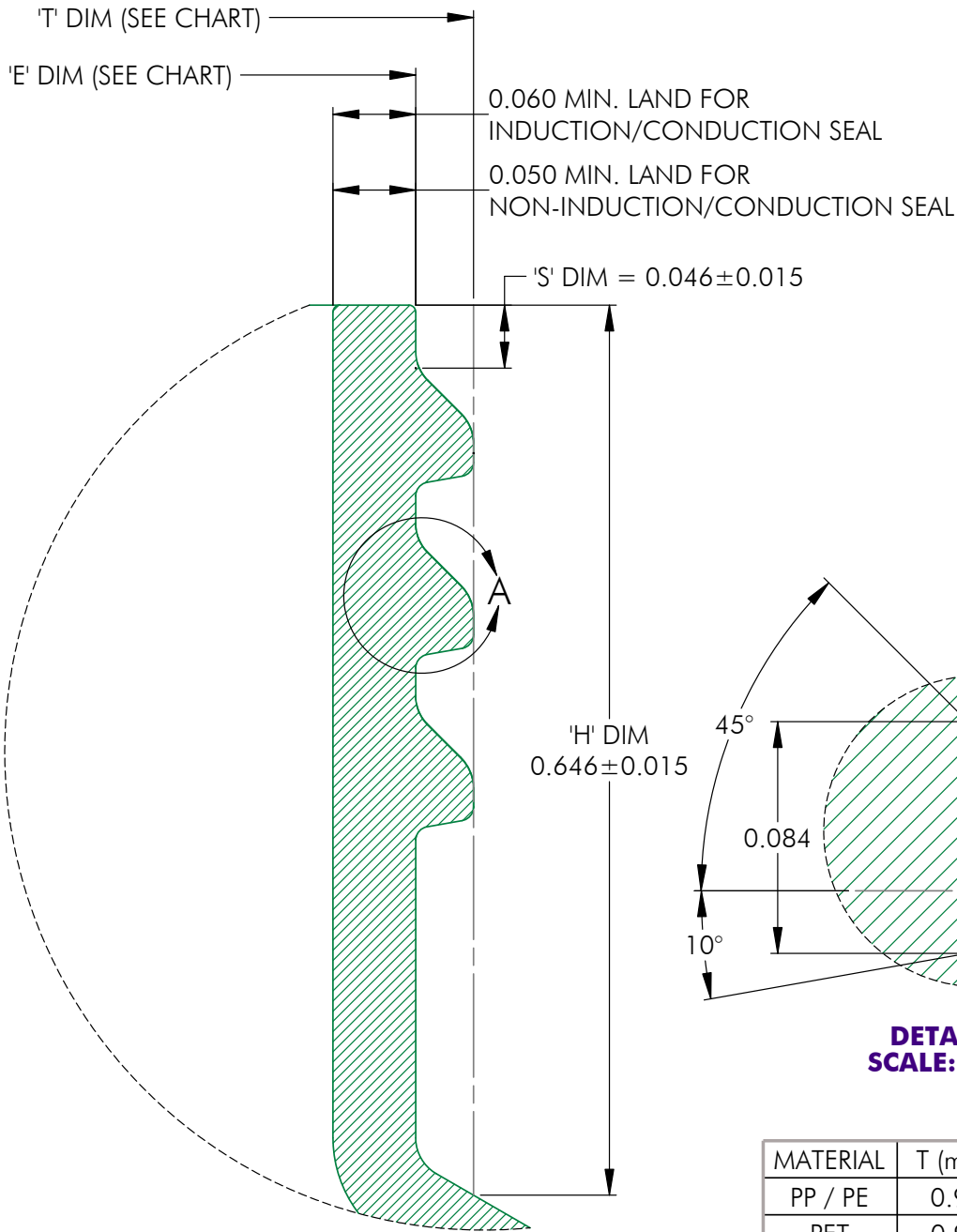
- Oasis Flip-Top Dispensing Closure with 0.125" orifice
- Crab-claw linerless seal
- Leak-free design
- Popular for hand sanitizers
- Popular for personal care items



**SECTION C-C**  
SCALE 3 : 2



NOTES: (UNLESS OTHERWISE SPECIFIED) 1. ALL DIMENSIONS ARE IN INCHES. 2. SEE CHART FOR DIMENSIONAL TOLERANCE.  THIS OR FACSIMILE THEREOF IS THE EXCLUSIVE PROPERTY OF PHOENIX AND MAY NOT BE REPRODUCED WITHOUT THE EXPRESSED WRITTEN CONSENT OF PHOENIX. SOME OR ALL OF THE ITEMS DEPICTED ON THIS DRAWING MAY BE COVERED BY CURRENT PATENTS OR PATENTS APPLIED FOR BY PHOENIX.	D	04.20.20	Finalize Design, Add PCI Logo			TCS	
	REV	DATE	DESCRIPTION			BY	
	TOLERANCE	PITCH/TPI .167 / 6		TURN	1	MAT'L PP	
	.X	±0.1	DRAWN	RAG	DATE 04.16.20	SCALE 1.5 : 1	REV
	.XX	±0.02	024 - DIS - CR13 U			D	
.XXX	±0.010						



MATERIAL	T (mean)	E (mean)	TOLERANCE
PP / PE	0.932	0.848	± 0.008
PET	0.934	0.850	± 0.006
GLASS	N/A	N/A	± N/A

NOTES: (UNLESS OTHERWISE SPECIFIED)  
 1. ALL DIMENSIONS ARE IN INCHES.  
 2. SEE CHART FOR DIMENSIONAL TOLERANCE.

0	10.19.04	Released	BZ
REV	DATE	DESCRIPTION	BY
TOLERANCE	PITCH/TPI .125 / 8		TURNS 2
.X ±0.1	DRAWN BEZ	DATE 10.19.04	SCALE 8 : 1
.XX ±0.02	24 - 410 - FINISH		REV 0
.XXX ±0.010			

THIS OR FACSIMILE THEREOF IS THE EXCLUSIVE PROPERTY OF PHOENIX AND MAY NOT BE REPRODUCED WITHOUT THE EXPRESSED WRITTEN CONSENT OF PHOENIX. SOME OR ALL OF THE ITEMS DEPICTED ON THIS DRAWING MAY BE COVERED BY CURRENT PATENTS OR PATENTS APPLIED FOR BY PHOENIX.



PHXPKG.COM

P 630 420 4750 E greatpkg@phxpkg.com  
 975 Meridian Lake Drive • Aurora, IL 60504