

SHALLOW SKIRTED CLOSURES

24-400-62 S



Specifications:

DIAMETER 24 mm
THREAD PROFILE 400
NECK FINISH 24-400
CLOSURE TOP Stipple
CLOSURE SIDEWALL Fine Ribbed
MATERIAL PP, PCR PP

PACKAGING & FREIGHT INFORMATION

PACK TYPE	PCS/CTN	CTNS/PALT	PCS/PALT	CTN WT*	PALT WT*	FRT CLASS
Bulk	4,000	30	120,000	15 ⁽¹⁾	457 ⁽¹⁾	100 ⁽¹⁾
Bulk	4,000	30	120,000	17 ⁽²⁾	501 ⁽²⁾	100 ⁽²⁾
CARTON DIMENSIONS: 24 x 8 x 15			PALLET DIMENSIONS: 48 x 40 x 50			

(1) Unlined Closures (2) Lined Closures *Approximate

MARKETS

Automotive, Medical Products, Household Chemicals, Cosmetics, Food, Food Service, Personal Care, and Pharmaceuticals.

OPTIONS

Available in white, standard colors, and custom colors.

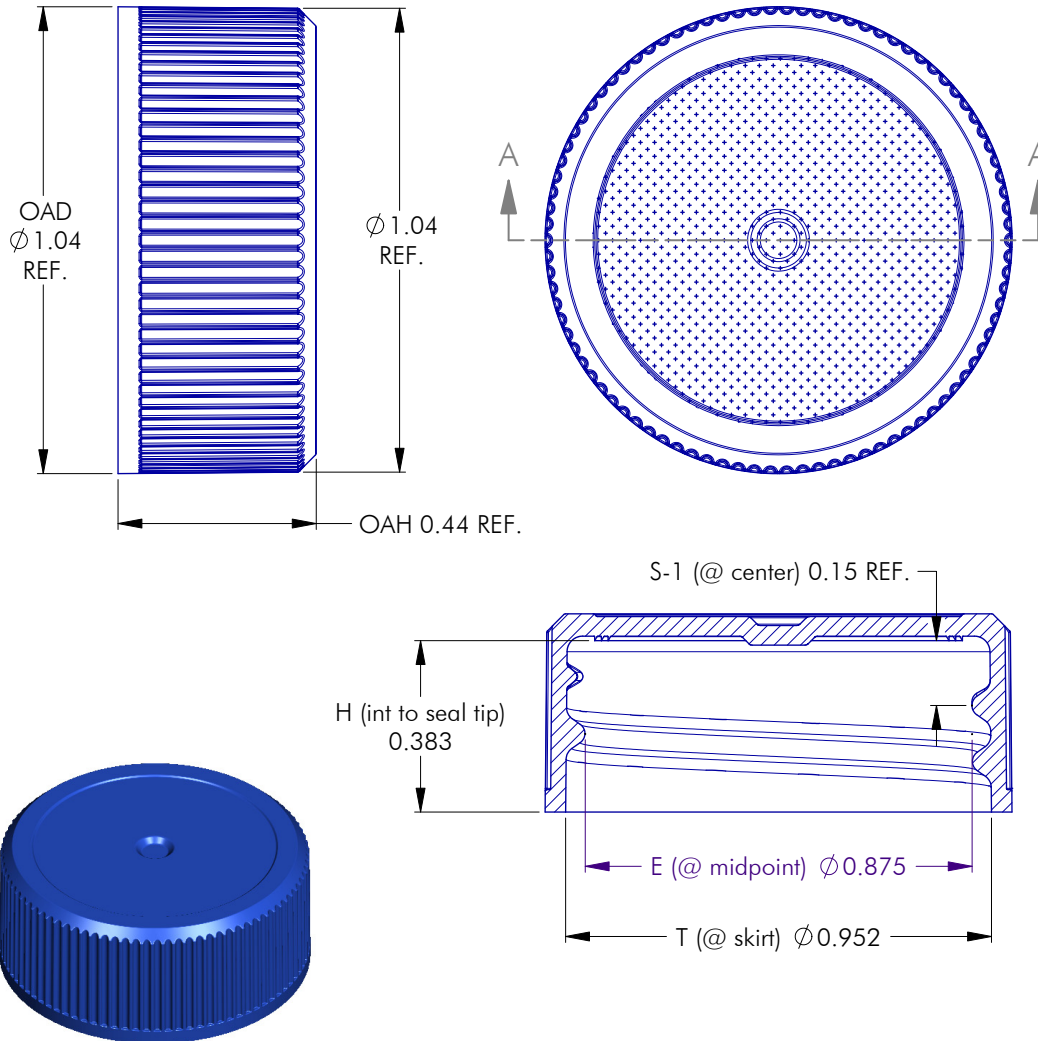
Optional 25–30% food-contact PCR PP material available

CLOSURE BENEFITS

- A great general-purpose closure
- Fine-ribbed sides are easier to grip
- Popular for cosmetics
- Our most popular closure style

SHALLOW SKIRTED CLOSURES

24-400-62 S



NOTES: (UNLESS OTHERWISE SPECIFIED)

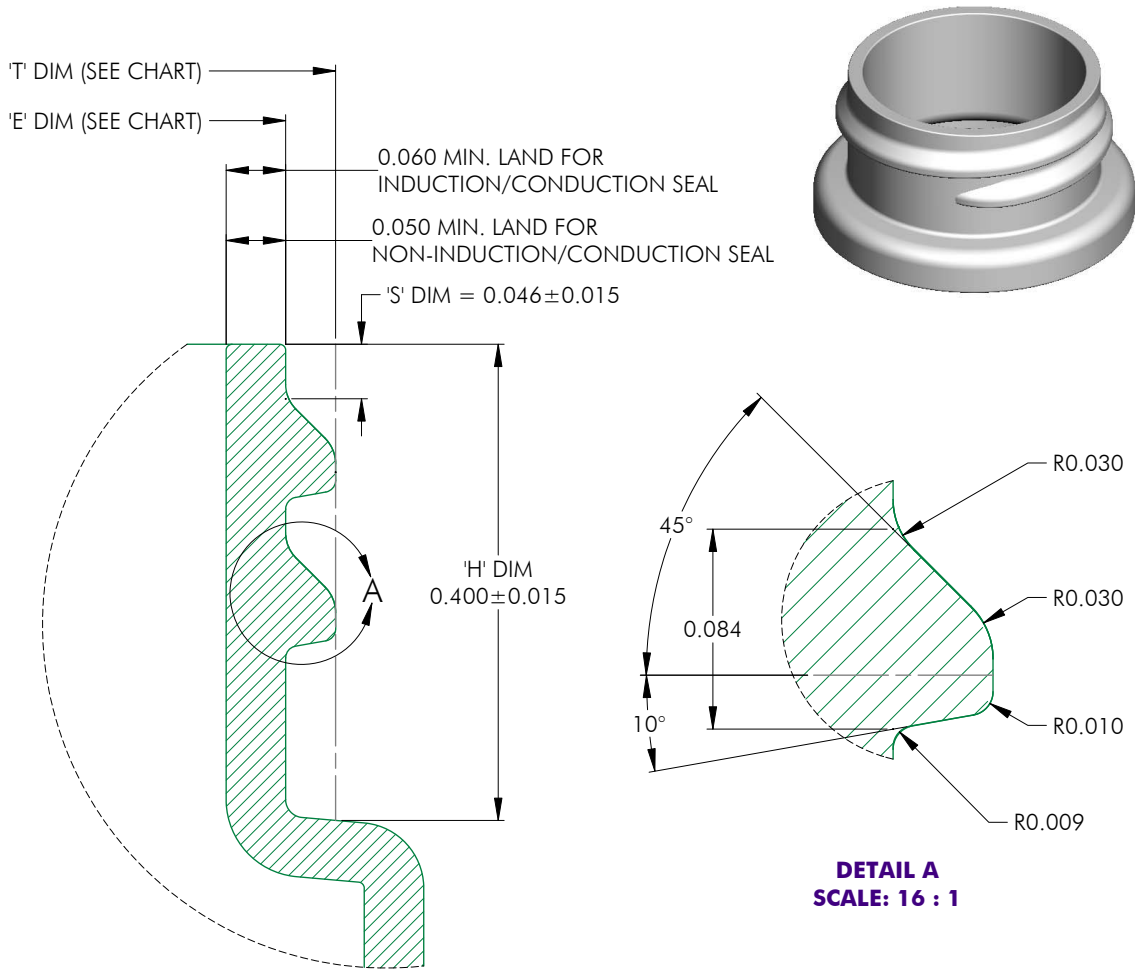
1. ALL DIMENSIONS ARE IN INCHES.
2. SEE CHART FOR DIMENSIONAL TOLERANCE.

THIS OR FACSIMILE THEREOF IS THE EXCLUSIVE PROPERTY OF PHOENIX AND MAY NOT BE REPRODUCED WITHOUT THE EXPRESSED WRITTEN CONSENT OF PHOENIX. SOME OR ALL OF THE ITEMS DEPICTED ON THIS DRAWING MAY BE COVERED BY CURRENT PATENTS OR PATENTS APPLIED FOR BY PHOENIX.

0	12.02.05	Released	BZ
REV	DATE	DESCRIPTION	BY
TOLERANCE	PITCH/TPI	.125 / 8	TURNS 1-1/8
.X	±0.1	DRAWN BEZ	DATE 12.02.05
.XX	±0.02	SCALE	3 : 1
.XXX	±0.010	24 - 400 - 62 S	
			0

SHALLOW SKIRTED CLOSURES

24-400-62 S



DETAIL A
SCALE: 16 : 1

MATERIAL	T (mean)	E (mean)	TOLERANCE
PP / PE	0.932	0.848	± 0.008
PET	0.934	0.850	± 0.006
GLASS	N/A	N/A	± N/A

NOTES: (UNLESS OTHERWISE SPECIFIED) 1. ALL DIMENSIONS ARE IN INCHES. 2. SEE CHART FOR DIMENSIONAL TOLERANCE. THIS OR FACSIMILE THEREOF IS THE EXCLUSIVE PROPERTY OF PHOENIX AND MAY NOT BE REPRODUCED WITHOUT THE EXPRESSED WRITTEN CONSENT OF PHOENIX. SOME OR ALL OF THE ITEMS DEPICTED ON THIS DRAWING MAY BE COVERED BY CURRENT PATENTS OR PATENTS APPLIED FOR BY PHOENIX.	0	10.19.04	Released	BZ					
	REV	DATE	DESCRIPTION	BY					
	TOLERANCE	PITCH/TPI	1.25 / 8	TURNS	1-1/8	MAT'L	PER CHART		
	.X	±0.1	DRAWN	BEZ	DATE	10.19.04	SCALE	8 : 1	REV
	.XX	±0.02	24 - 400 - FINISH					0	
.XXX	±0.010								