

SHALLOW SKIRTED CLOSURES

120-400-9639 S



Specifications:

DIAMETER 120 mm
THREAD PROFILE 400
NECK FINISH 120-400
CLOSURE TOP Stipple
CLOSURE SIDEWALL Fine Ribbed
MATERIAL PP, PCR PP

PACKAGING & FREIGHT INFORMATION

PACK TYPE	PCS/CTN	CTNS/PALT	PCS/PALT	CTN WT*	PALT WT*	FRT CLASS
Stack	328	15	4,920	18 ⁽¹⁾	298 ⁽¹⁾	TBD ⁽¹⁾
Stack	328	15	4,920	20 ⁽²⁾	332 ⁽²⁾	TBD ⁽²⁾
CARTON DIMENSIONS: 24 x 16 x 15			PALLET DIMENSIONS: 48 x 40 x 50			

(1) Unlined Closures (2) Lined Closures *Approximate

MARKETS

Food, Food Service, Nutraceuticals
and Powdered Drinks.

OPTIONS

Available in white, standard, and custom colors.
Can be embossed/debossed with custom message.
Offset printing is available on this closure
in up to four colors. Multiple PCR materials available
with food-contact and non-food options up to 100%
PCR content.

CLOSURE BENEFITS

- A great general-purpose closure
- Fine-ribbed sides are easier to grip
- Our most popular closure style
- EcoStack nested stacking for improved quality and increased pack count



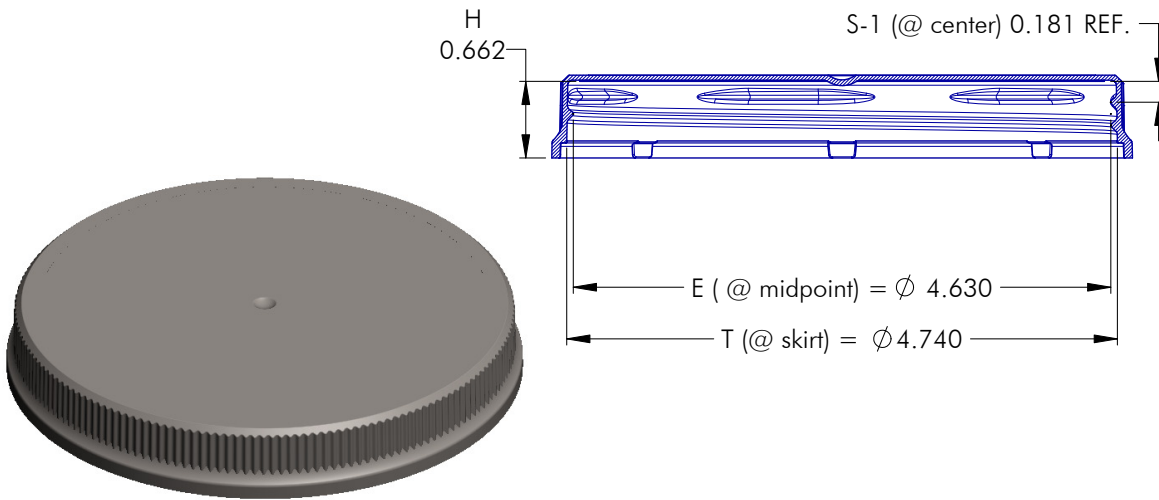
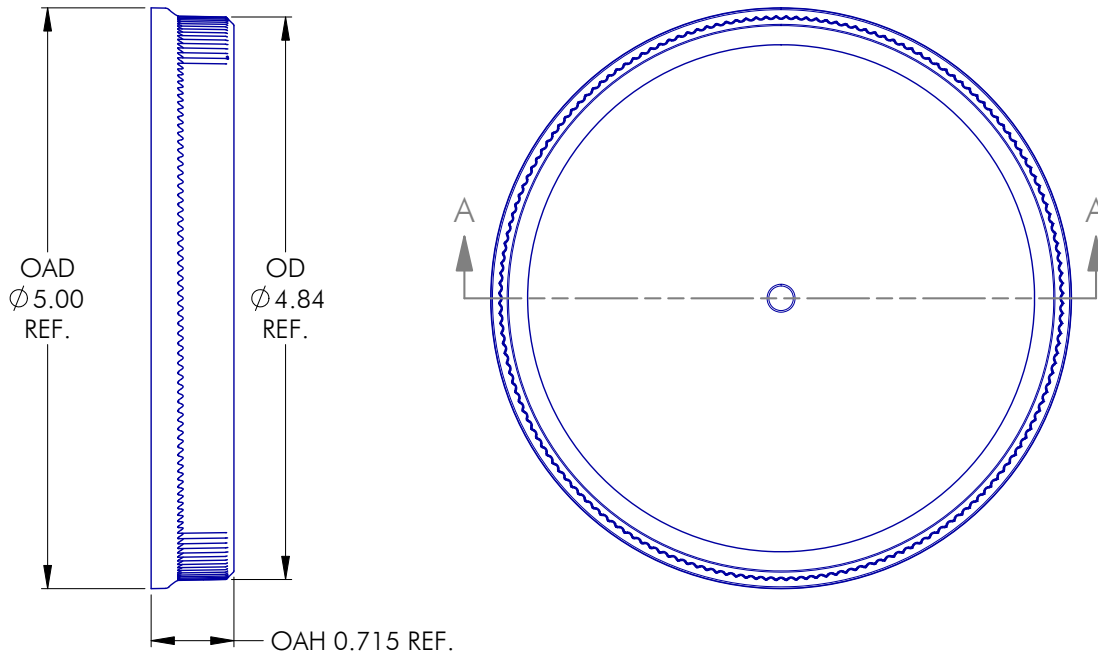
PHOENIX™

PHXPKG.COM

P 630 420 4750 E greatpkg@phxpkg.com
975 Meridian Lake Drive • Aurora, IL 60504

SHALLOW SKIRTED CLOSURES

120-400-9639 S



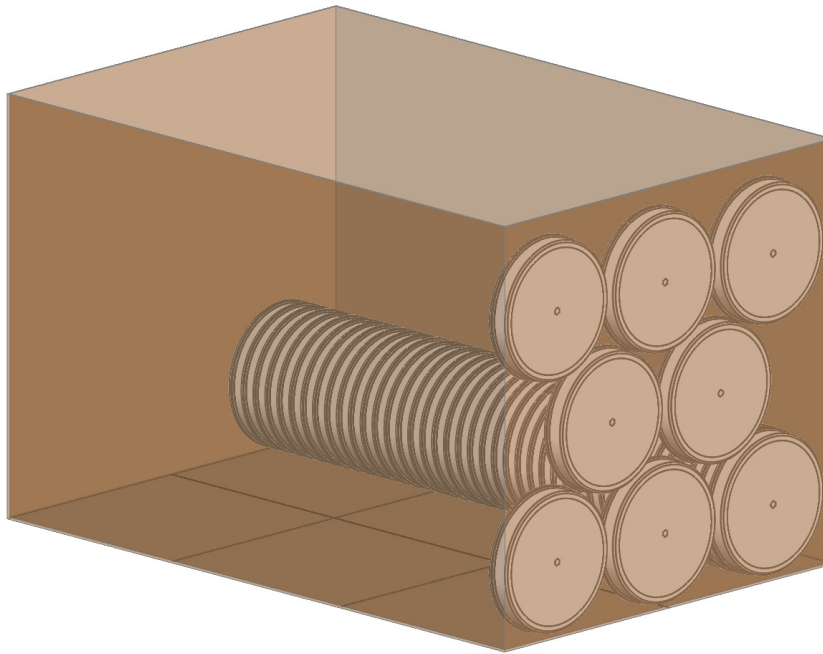
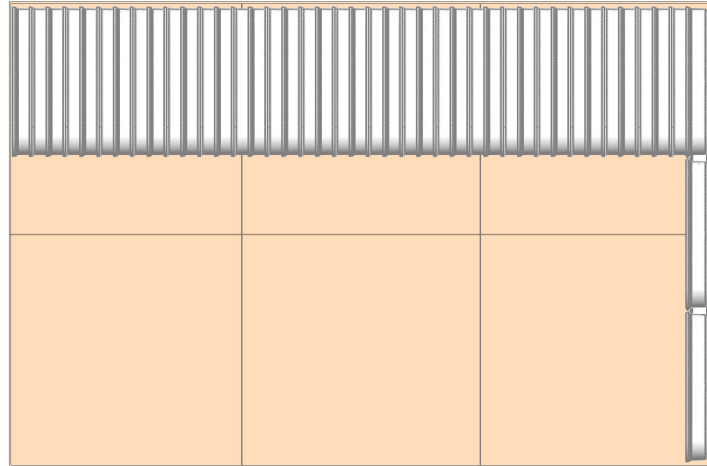
NOTES: (UNLESS OTHERWISE SPECIFIED) 1. ALL DIMENSIONS ARE IN INCHES. 2. SEE CHART FOR DIMENSIONAL TOLERANCE. THIS OR FACSIMILE THEREOF IS THE EXCLUSIVE PROPERTY OF PHOENIX AND MAY NOT BE REPRODUCED WITHOUT THE EXPRESSED WRITTEN CONSENT OF PHOENIX. SOME OR ALL OF THE ITEMS DEPICTED ON THIS DRAWING MAY BE COVERED BY CURRENT PATENTS OR PATENTS APPLIED FOR BY PHOENIX.	9	06.03.19	Issue QA drawing with 1hr T & E	TS				
	REV	DATE	DESCRIPTION	BY				
	TOLERANCE	PITCH/TPI	.200 / 5	TURNS	1-1/4	MAT'L	PP	
	.X	±0.1	DRAWN	DAA	DATE	09.20.16	SCALE	3/4 : 1
.XX	±0.02	120 - 400 - 9639 S				9		
.XXX	±0.010							

SHALLOW SKIRTED CLOSURES

120-400-9639 S

Carton Layout
 Closures per Row = 41
 Rows per Carton = 8

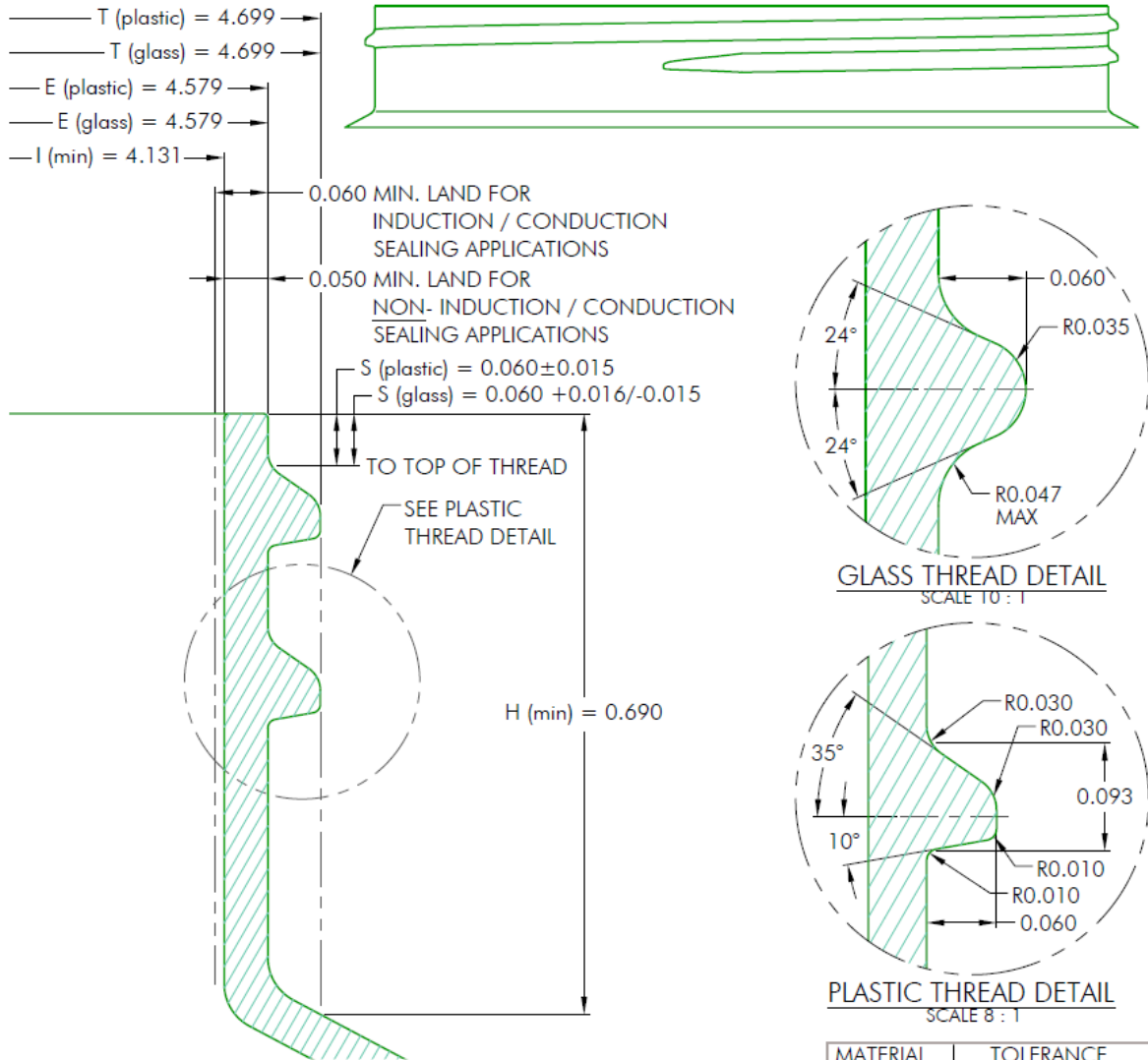
Pack Count
 328 Caps Total



NOTES: (UNLESS OTHERWISE SPECIFIED)		2	10.19.16	REVISE PACK COUNT	DA
1. ALL DIMENSIONS ARE IN INCHES.		REV	DATE	DESCRIPTION	BY
2. SEE CHART FOR DIMENSIONAL TOLERANCE.		TOLERANCE	PITCH/TPI	N/A	TURNS
THIS OR FACSIMILE THEREOF IS THE EXCLUSIVE PROPERTY OF PHOENIX AND MAY NOT BE REPRODUCED WITHOUT THE EXPRESSED WRITTEN CONSENT OF PHOENIX. SOME OR ALL OF THE ITEMS DEPICTED ON THIS DRAWING MAY BE COVERED BY CURRENT PATENTS OR PATENTS APPLIED FOR BY PHOENIX.		.X	±0.1	DRAWN	DAA
		.XX	±0.02	DATE	12.23.13
		.XXX	±0.010	SCALE	1 : 5
		120 - 400 - 9639 PACK COUNT			REV

SHALLOW SKIRTED CLOSURES

120-400-9639 S



MATERIAL	TOLERANCE
PP / PE	± 0.025
PET	± 0.015
GLASS	± 0.025

NOTES: (UNLESS OTHERWISE SPECIFIED)		0	11.04.97	Released	BZ
1. ALL DIMENSIONS ARE IN INCHES.		REV	DATE	DESCRIPTION	BY
2. SEE CHART FOR DIMENSIONAL TOLERANCE.		TOLERANCE	PITCH/TPI	200 / 5	TURNS 1-1/4
THIS OR FACSIMILE THEREOF IS THE EXCLUSIVE PROPERTY OF PHOENIX AND MAY NOT BE REPRODUCED WITHOUT THE EXPRESSED WRITTEN CONSENT OF PHOENIX. SOME OR ALL OF THE ITEMS DEPICTED ON THIS DRAWING MAY BE COVERED BY CURRENT PATENTS OR PATENTS APPLIED FOR BY PHOENIX.		.X	±0.1	DRAWN BEZ	DATE 11.04.97
		.XX	±0.02	SCALE	8 : 1
		.XXX	±0.010	REV	0
		120 - 400 - FINISH			