

MESA NUTRA DISPENSING CLOSURES

# 38-NTR-GC S



## Specifications:

**DIAMETER** 38 mm  
**THREAD PROFILE** 400  
**NECK FINISH** 38-400  
**CLOSURE TOP** Flip-top  
**CLOSURE SIDEWALL** Smooth  
**MATERIAL** PP

### PACKAGING & FREIGHT INFORMATION

PACK TYPE	PCS/CTN	CTNS/PALT	PCS/PALT	CTN WT*	PALT WT*	FRT CLASS
Bulk	2,500	15	37,500	28 <sup>(1)</sup>	450 <sup>(1)</sup>	TBD <sup>(1)</sup>
Bulk	2,500	15	37,500	TBD <sup>(2)</sup>	TBD <sup>(2)</sup>	TBD <sup>(2)</sup>
<b>CARTON DIMENSIONS: 24 x 16 x 15</b>			<b>PALLET DIMENSIONS: 48 x 40 x 50</b>			

(1) Unlined Closures (2) Lined Closures \*Approximate

### MARKETS

Consumer Healthcare, Vitamins, Minerals, Supplements, Home Care, Food, Beverage

### OPTIONS

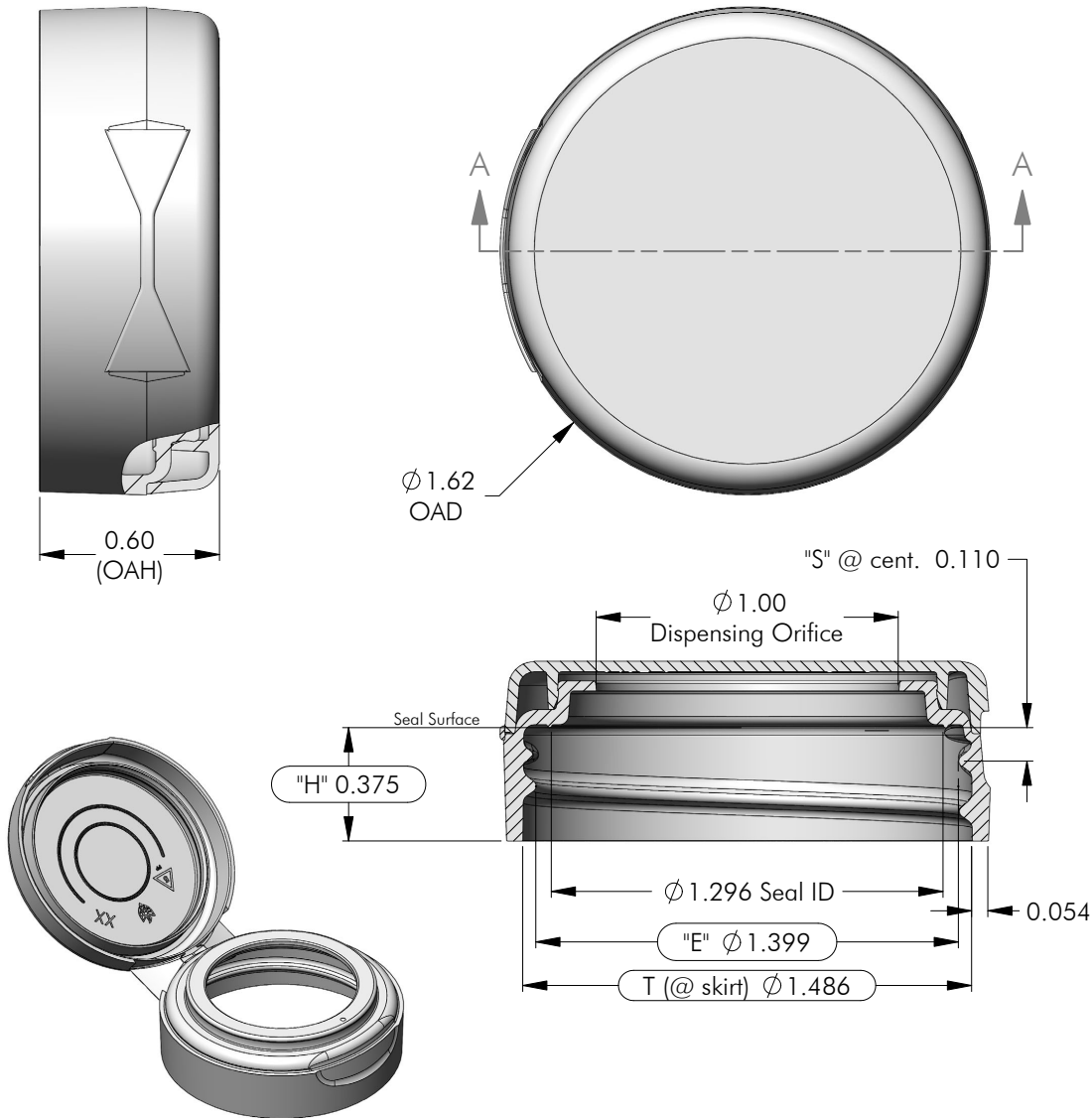
Available in white, standard colors and custom colors. Can be lined with a wide variety of liner systems. This closure can be embossed/debossed with your custom message.

### CLOSURE BENEFITS

- One-hand open and close makes dispensing easy
- MESA Nutra Flip-top dispensing closure
- Full lid remains open at 160°
- Full circle orifice
- Smooth design lends a clean look

MESA NUTRA DISPENSING CLOSURES

# 38-NTR-GC S



4.452

NOTES: (UNLESS OTHERWISE SPECIFIED) 1. ALL DIMENSIONS ARE IN INCHES. 2. SEE CHART FOR DIMENSIONAL TOLERANCE.		3	02.14.23	Add printing support rings to Lid	TCS
		REV	DATE	DESCRIPTION	BY
THIS OR FACSIMILE THEREOF IS THE EXCLUSIVE PROPERTY OF PHOENIX AND MAY NOT BE REPRODUCED WITHOUT THE EXPRESSED WRITTEN CONSENT OF PHOENIX. SOME OR ALL OF THE ITEMS DEPICTED ON THIS DRAWING MAY BE COVERED BY CURRENT PATENTS OR PATENTS APPLIED FOR BY PHOENIX.		TOLERANCE		PITCH/TPI .167 / 6	TURNS 1-1/8
				MAT'L PP	
		.X ±0.1	DRAWN TCS		DATE 03.10.21
		.XX ±0.02			
		.XXX ±0.010	<b>038 - NTR - GC (S)</b>		
					<b>3</b>

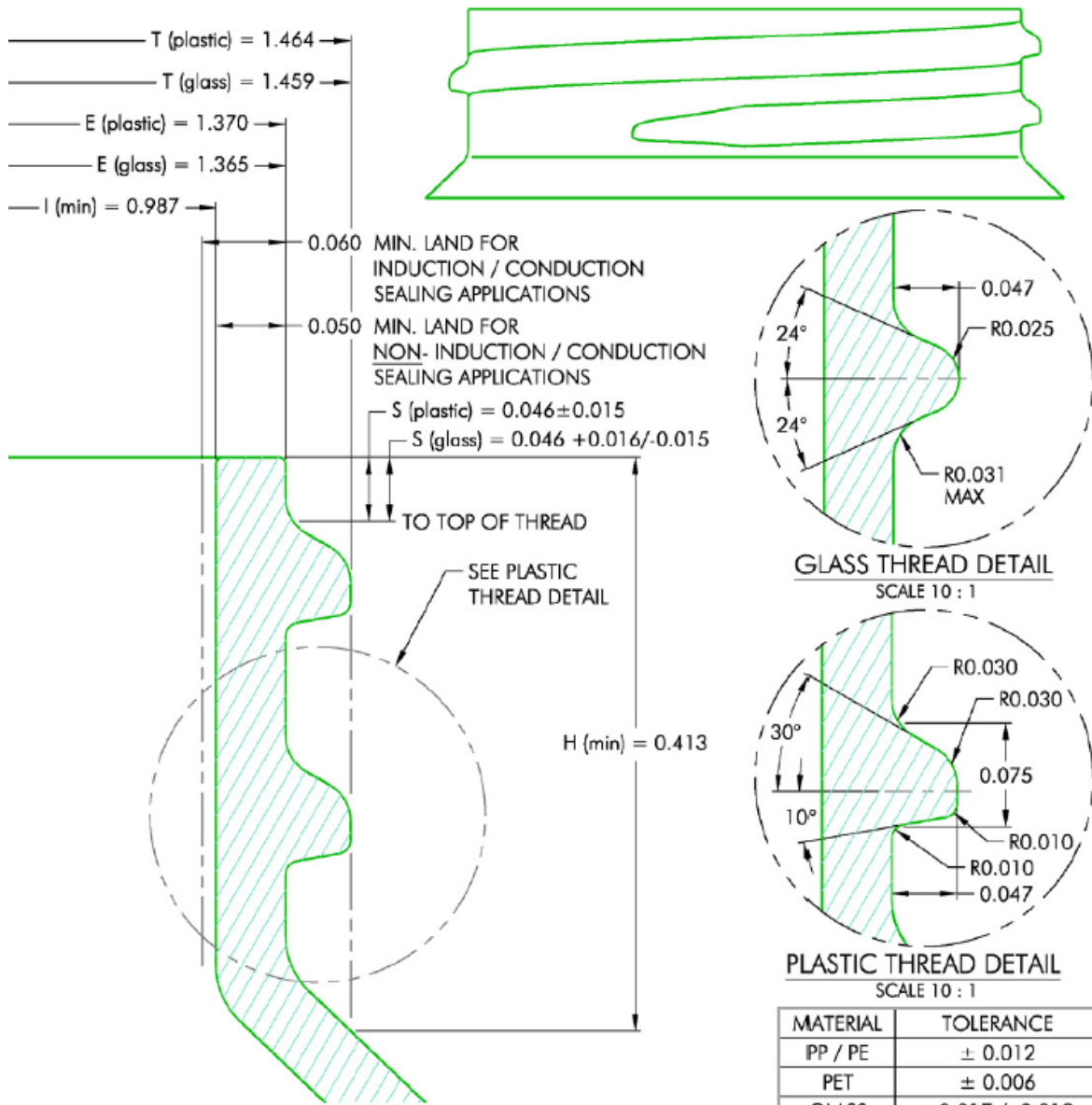


PHXPKG.COM

P 630 420 4750 E greatpkg@phxpkg.com  
975 Meridian Lake Drive • Aurora, IL 60504

MESA NUTRA DISPENSING CLOSURES

# 38-NTR-GC S



NOTES: (UNLESS OTHERWISE SPECIFIED)

1. ALL DIMENSIONS ARE IN INCHES.
2. SEE CHART FOR DIMENSIONAL TOLERANCE.

THIS OR FACSIMILE THEREOF IS THE EXCLUSIVE PROPERTY OF PHOENIX AND MAY NOT BE REPRODUCED WITHOUT THE EXPRESSED WRITTEN CONSENT OF PHOENIX. SOME OR ALL OF THE ITEMS DEPICTED ON THIS DRAWING MAY BE COVERED BY CURRENT PATENTS OR PATENTS APPLIED FOR BY PHOENIX.

BF	05.21.18	Released	DN
REV	DATE	DESCRIPTION	BY
TOLERANCE	PITCH/TPI	1.67 / 6	TURNS 1-1/4
.X	$\pm 0.1$	DRAWN	BEZ
.XX	$\pm 0.02$	DATE	08.31.93
.XXX	$\pm 0.010$	SCALE	10 : 1
38 - 400 - FINISH			0