

SCOOPS

Z80-SCC-TPBK G



Specifications:

- TYPE** Measuring cup
- VOLUME** 8 oz
- HANDLE** Small (cup)
- DESIGN** Tapered
- MATERIAL** PP

PACKAGING & FREIGHT INFORMATION

PACK TYPE	PCS/CTN	CTNS/PALT	PCS/PALT	CTN WT*	PALT WT*	FRT CLASS
Bulk	160	24	3,840	9	266	250
CARTON DIMENSIONS: 19 x 15 x 18			PALLET DIMENSIONS: 40 x 48 x 80			

*Approximate

MARKETS

Nutritional Powders, Powdered Drinks, Baby Formulas, Household Chemical; Cleaning Products; Pet Products

OPTIONS

Available in natural, white, black and colors. Custom logo engraving available.

SCOOP BENEFITS

- Manufactured by HQC
- Customization options available
- Popular for nutritional powders

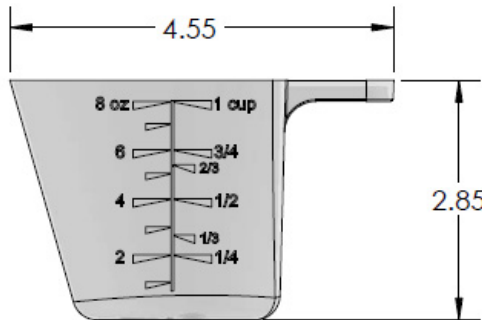
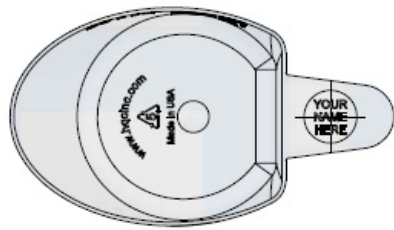
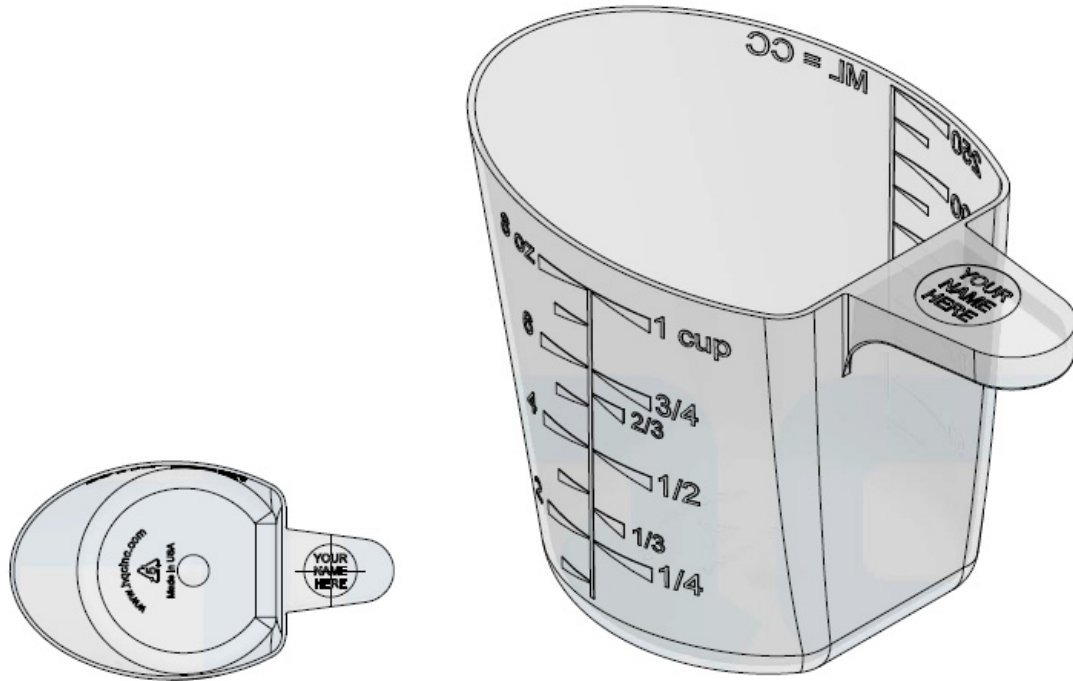


PHXPKG.COM

P 630 420 4750 E greatpkg@phxpkg.com
975 Meridian Lake Drive ▪ Aurora, IL 60504

SCOOPS

Z80-SCC-TPBK G



NOTES: (UNLESS OTHERWISE SPECIFIED) 1. ALL DIMENSIONS ARE IN INCHES. 2. SEE CHART FOR DIMENSIONAL TOLERANCE. THIS OR FACSIMILE THEREOF IS THE EXCLUSIVE PROPERTY OF PHOENIX AND MAY NOT BE REPRODUCED WITHOUT THE EXPRESSED WRITTEN CONSENT OF PHOENIX. SOME OR ALL OF THE ITEMS DEPICTED ON THIS DRAWING MAY BE COVERED BY CURRENT PATENTS OR PATENTS APPLIED FOR BY PHOENIX.	-	00.00.00	-	-				
	REV	DATE	DESCRIPTION		BY			
	TOLERANCE	PITCH/TPI	NA / 0	TURNS	x	MAT'L	PP	
	.X	±0.1	DRAWN	HQC	DATE	01.06.15	SCALE	0 : 1
.XX	±0.02	Z80 - SCC - TPBK G					0	
.XXX	±0.010							