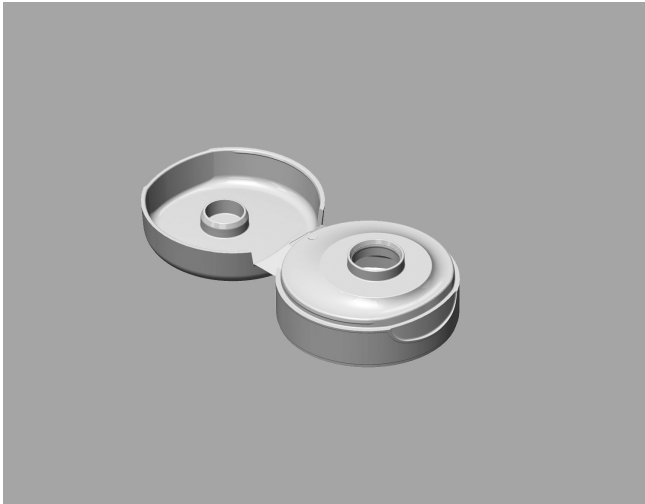


MESA DISPENSING CLOSURES

33-DIS-1 S38 S MESA®



Specifications:

DIAMETER 33 mm
THREAD PROFILE 400
CLOSURE TYPE Dispensing
NECK FINISH 33-400
CLOSURE TOP Flip-top
CLOSURE SIDEWALL Smooth
MATERIAL CP

PACKAGING & FREIGHT INFORMATION

PACK TYPE	PCS/CTN	CTNS/PALT	PCS/PALT	CTN WT*	PALT WT*	FRT CLASS
Bulk	2,500	15	37,500	28.6 ⁽¹⁾	430 ⁽¹⁾	125 ⁽¹⁾
Bulk	2,500	15	37,500	29.7 ⁽²⁾	446 ⁽²⁾	100 ⁽²⁾
CARTON DIMENSIONS: 24 x 16 x 15			PALLET DIMENSIONS: 48 x 40 x 50			

(1) Unlined Closures (2) Lined Closures *Approximate

MARKETS

Dressings & Sauces, Honey, Jams and Jellies, Condiments, Lotions, Cleansers, Cleaning Products.

OPTIONS

Available in white, standard colors and custom colors. Can be lined with a wide variety of liner systems.

CLOSURE BENEFITS

- Easy dispensing & clean flow
- Flip-top dispensing closure
- 0.375" orifice
- Audible "click" conveys security
- Single-wall design
- Smooth design lends a clean look
- MESA dispensing closure

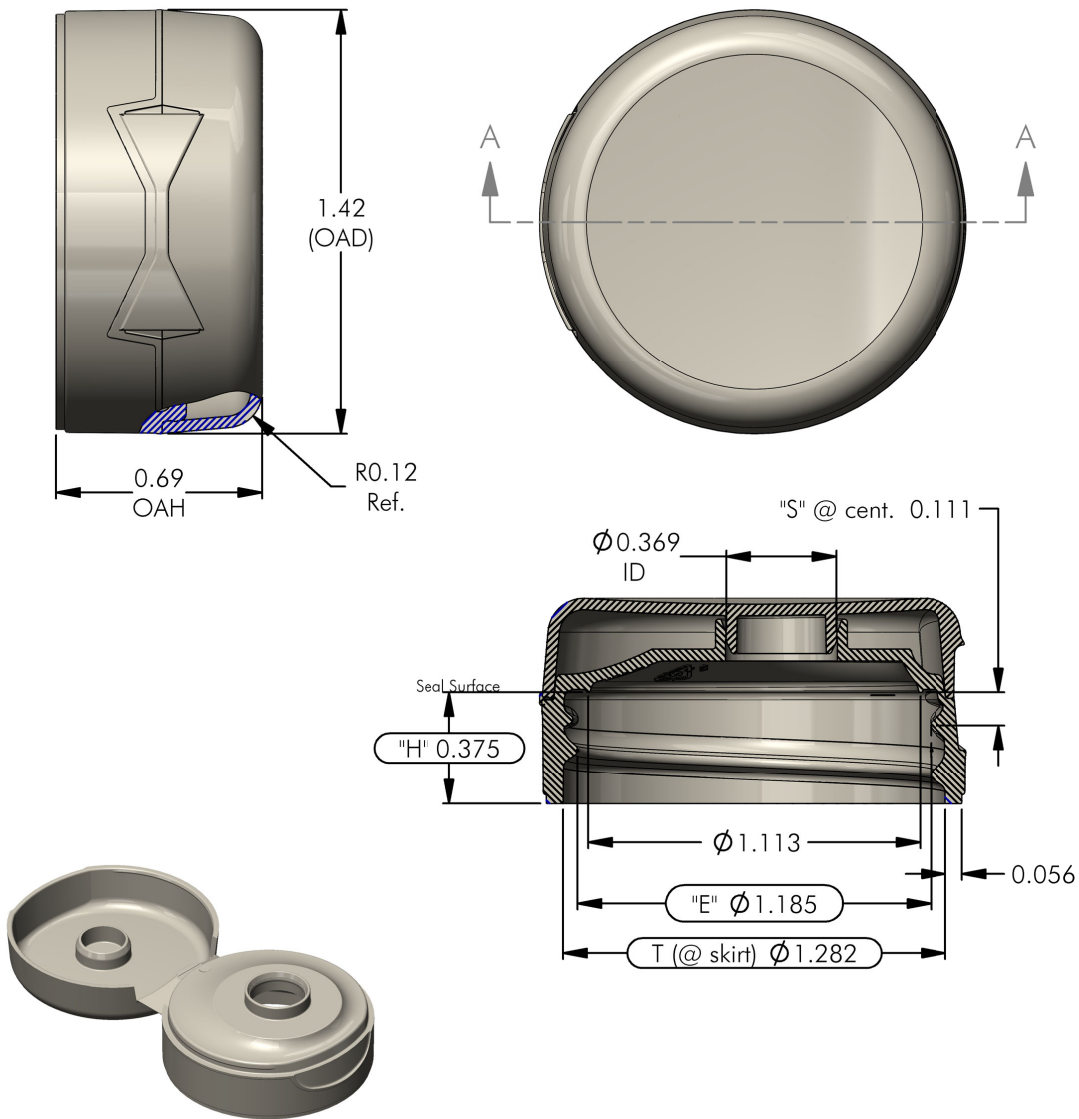


PHXPKG.COM

P 630 420 4750 E greatpkg@phxpkg.com
975 Meridian Lake Drive • Aurora, IL 60504

MESA DISPENSING CLOSURES

33-DIS-1 S38 S MESA®



4.350

NOTES: (UNLESS OTHERWISE SPECIFIED)		-	00.00.00	-	-
1. ALL DIMENSIONS ARE IN INCHES.		REV	DATE	DESCRIPTION	BY
2. SEE CHART FOR DIMENSIONAL TOLERANCE.		TOLERANCE	PITCH/TPI	.167 / 6	TURNS 1-1/8
THIS OR FACSIMILE THEREOF IS THE EXCLUSIVE PROPERTY OF PHOENIX AND MAY NOT BE REPRODUCED WITHOUT THE EXPRESSED WRITTEN CONSENT OF PHOENIX. SOME OR ALL OF THE ITEMS DEPICTED ON THIS DRAWING MAY BE COVERED BY CURRENT PATENTS OR PATENTS APPLIED FOR BY PHOENIX.		.X	±0.1	DRAWN TCS	DATE 11.02.20
		.XX	±0.02	SCALE 2 : 1	REV
		.XXX	±0.010	033 - DIS - 1 S38 S 0	

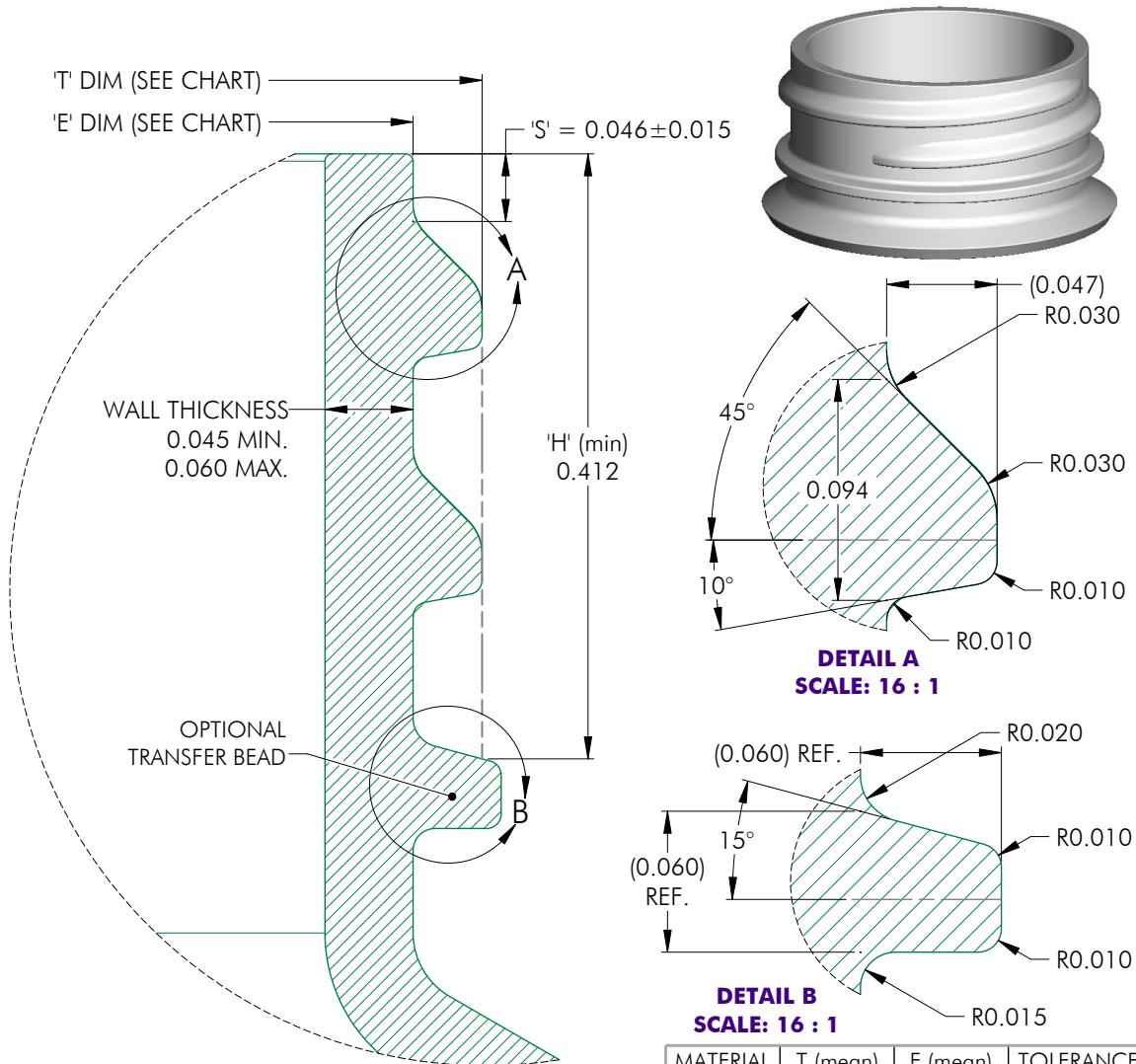


PHXPKG.COM

P 630 420 4750 E greatpkg@phxpkg.com
975 Meridian Lake Drive • Aurora, IL 60504

MESA DISPENSING CLOSURES

33-DIS-1 S38 S MESA®



MATERIAL	T (mean)	E (mean)	TOLERANCE
PP / PE	1.253	1.159	± 0.012
PET	1.257	1.163	± 0.008
GLASS	0.0000	0.0000	± 0.0000

NOTES: (UNLESS OTHERWISE SPECIFIED) 1. ALL DIMENSIONS ARE IN INCHES. 2. SEE CHART FOR DIMENSIONAL TOLERANCE. THIS OR FACSIMILE THEREOF IS THE EXCLUSIVE PROPERTY OF PHOENIX AND MAY NOT BE REPRODUCED WITHOUT THE EXPRESSED WRITTEN CONSENT OF PHOENIX. SOME OR ALL OF THE ITEMS DEPICTED ON THIS DRAWING MAY BE COVERED BY CURRENT PATENTS OR PATENTS APPLIED FOR BY PHOENIX.	1	03.13.17	Update wall thickness to reflect Market	DN
	REV	DATE	DESCRIPTION	BY
	TOLERANCE	PITCH/TPI .167 / 6 TURNS 1-1/8 MAT'L PER CHART		
	.X ±0.1	DRAWN DMN	DATE 03.13.17	SCALE 10:1
	.XX ±0.02	33 - 400 - FINISH		



PHXPKG.COM
 P 630 420 4750 E greatpkg@phxpkg.com
 975 Meridian Lake Drive • Aurora, IL 60504