

SHALLOW SKIRTED CLOSURES

53-400-6213 S



Specifications:

DIAMETER 53 mm
THREAD PROFILE 400
NECK FINISH 53-400
CLOSURE TOP Stipple
CLOSURE SIDEWALL Fine Ribbed
MATERIAL PP

PACKAGING & FREIGHT INFORMATION

PACK TYPE	PCS/CTN	CTNS/PALT	PCS/PALT	CTN WT*	PALT WT*	FRT CLASS
Bulk	2,000	15	30,000	24.8 ⁽¹⁾	373 ⁽¹⁾	125 ⁽¹⁾
Bulk	2,000	15	30,000	28.1 ⁽²⁾	421 ⁽²⁾	125 ⁽²⁾
CARTON DIMENSIONS: 24 x 16 x 15			PALLET DIMENSIONS: 48 x 40 x 50			

(1) Unlined Closures (2) Lined Closures *Approximate

MARKETS

Industrial, and Medical Products, Dressings & Sauces, Food, Food Service, Personal Care & Cosmetics, Pharmaceuticals, Nutraceuticals, and Non-Dairy Creamer.

OPTIONS

Available in white, standard, and custom colors. Can be embossed/debossed with custom message. Offset printing is available in up to three colors.

CLOSURE BENEFITS

- A great general-purpose closure
- Fine-ribbed sides are easier to grip
- Our most popular closure style



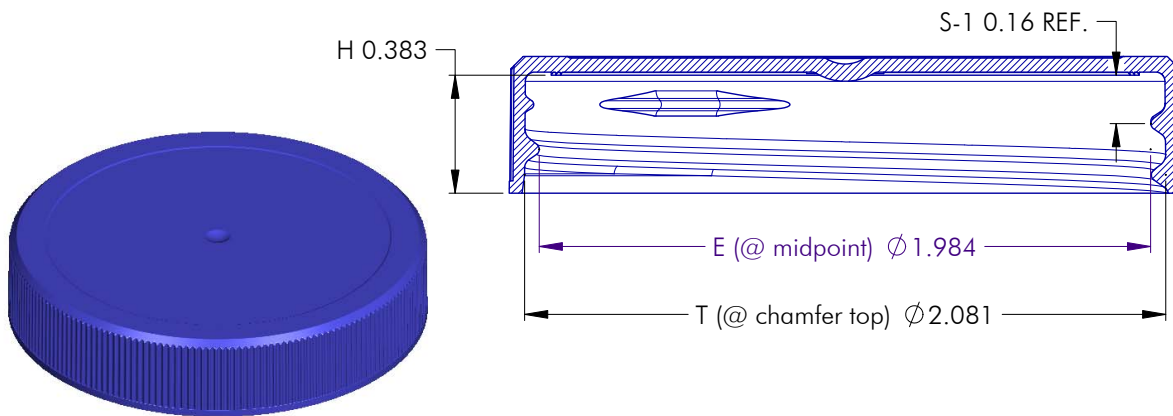
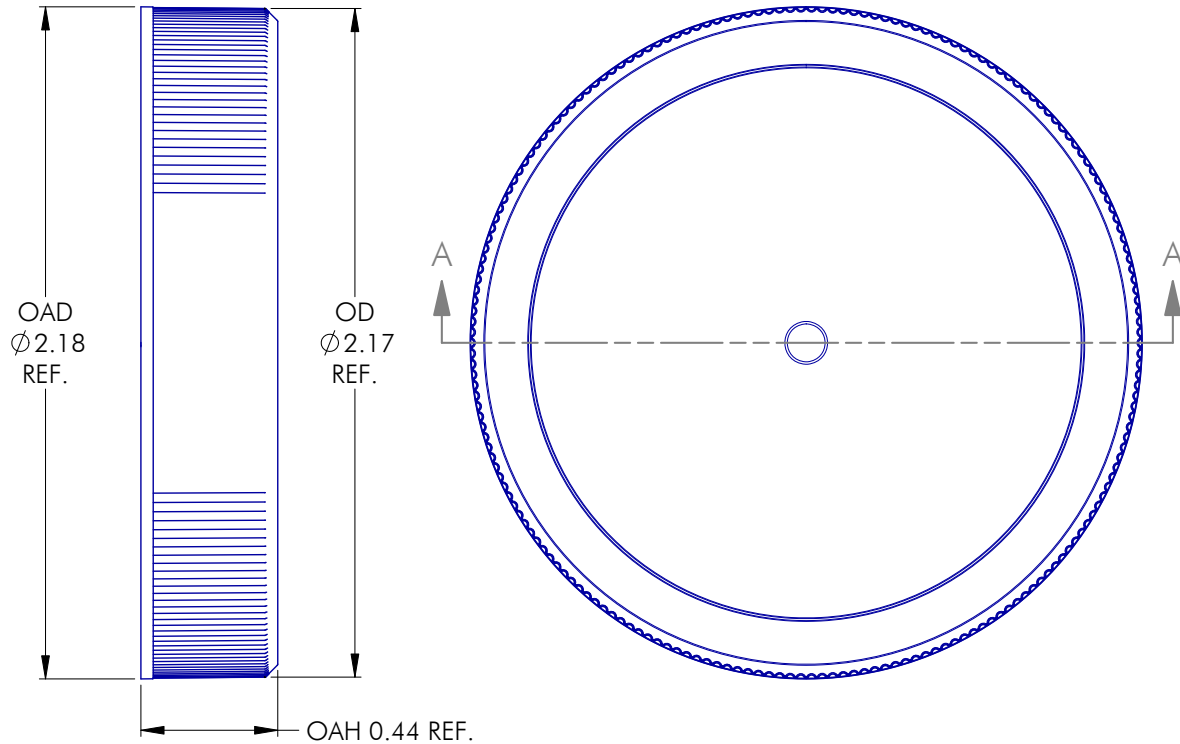
PHOENIX™

PHXPKG.COM

P 630 420 4750 E greatpkg@phxpkg.com
975 Meridian Lake Drive • Aurora, IL 60504

SHALLOW SKIRTED CLOSURES

53-400-6213 S



NOTES: (UNLESS OTHERWISE SPECIFIED)
 1. ALL DIMENSIONS ARE IN INCHES.
 2. SEE CHART FOR DIMENSIONAL TOLERANCE.

THIS OR FACSIMILE THEREOF IS THE EXCLUSIVE PROPERTY OF PHOENIX AND MAY NOT BE REPRODUCED WITHOUT THE EXPRESSED WRITTEN CONSENT OF PHOENIX. SOME OR ALL OF THE ITEMS DEPICTED ON THIS DRAWING MAY BE COVERED BY CURRENT PATENTS OR PATENTS APPLIED FOR BY PHOENIX.

2	02.23.21	Added Engraving to Top Wall Interior		DN
REV	DATE	DESCRIPTION		BY
TOLERANCE	PITCH/TPI	.167 / 6	TURNS	1
.X ±0.1	DRAWN	DMN	DATE	02.09.21
.XX ±0.02	SCALE	2 : 1		REV
.XXX ±0.010	053 - 400 - 6213 S			2

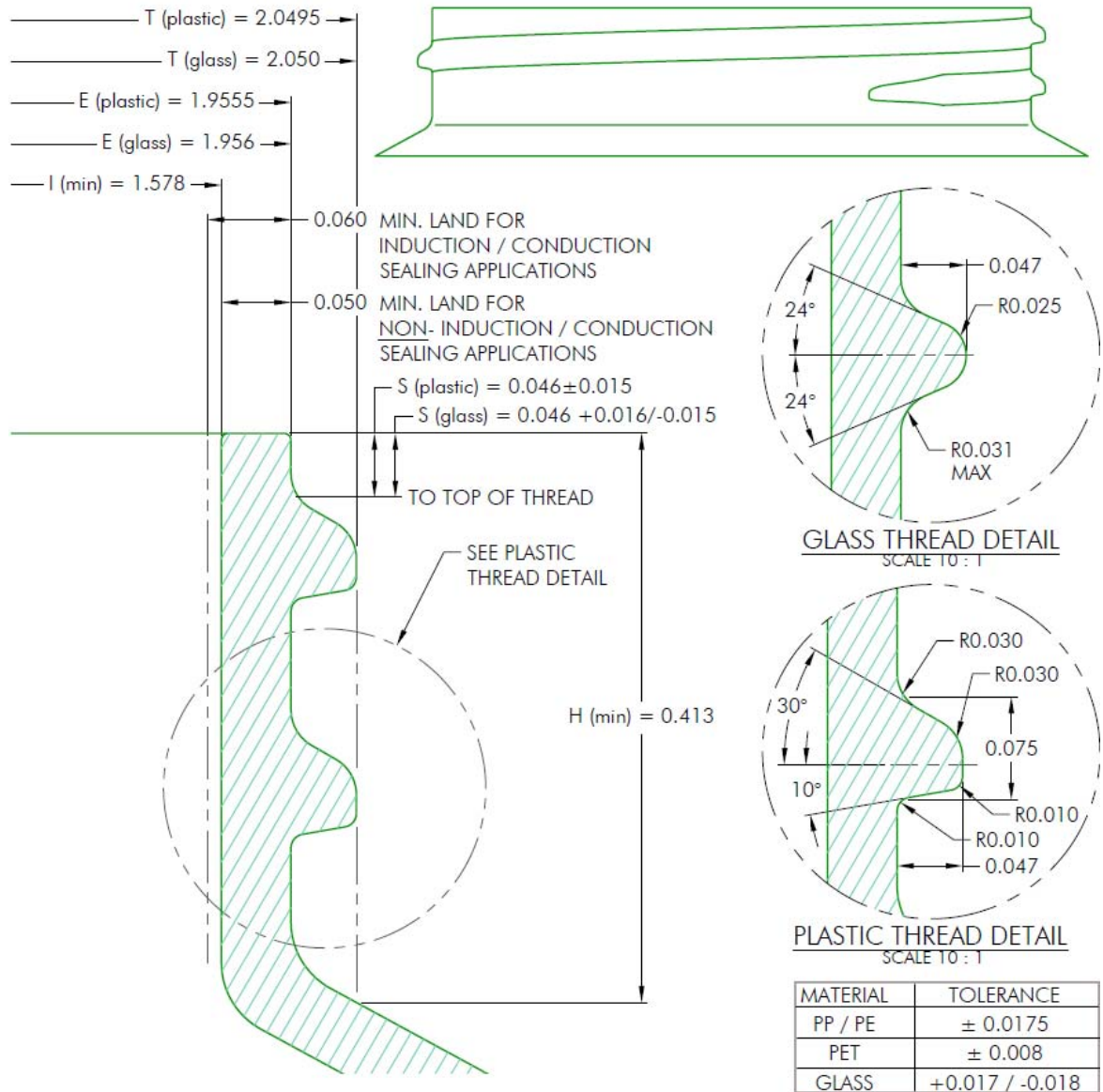


PHXPKG.COM

P 630 420 4750 E greatpkg@phxpkg.com
 975 Meridian Lake Drive • Aurora, IL 60504

SHALLOW SKIRTED CLOSURES

53-400-6213 S



NOTES: (UNLESS OTHERWISE SPECIFIED)		0	10.01.02	Released	BZ
1. ALL DIMENSIONS ARE IN INCHES.		REV	DATE	DESCRIPTION	BY
2. SEE CHART FOR DIMENSIONAL TOLERANCE.		TOLERANCE	PITCH/TPI	1.67 / 6	TURNS
THIS OR FACSIMILE THEREOF IS THE EXCLUSIVE PROPERTY OF PHOENIX AND MAY NOT BE REPRODUCED WITHOUT THE EXPRESSED WRITTEN CONSENT OF PHOENIX. SOME OR ALL OF THE ITEMS DEPICTED ON THIS DRAWING MAY BE COVERED BY CURRENT PATENTS OR PATENTS APPLIED FOR BY PHOENIX.		.X	±0.1	DRAWN	BEZ
		.XX	±0.02	DATE	10.01.02
		.XXX	±0.010	SCALE	10 : 1
		53 - 400 - FINISH			REV



PHXPKG.COM

P 630 420 4750 E greatpkg@phxpkg.com
 975 Meridian Lake Drive • Aurora, IL 60504