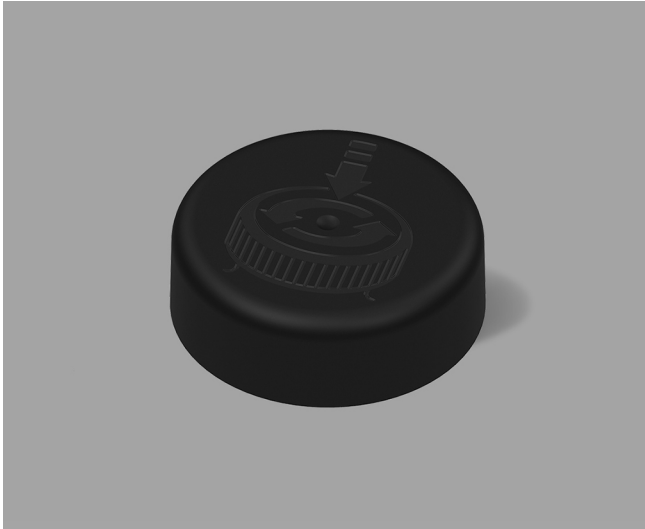


## CHILD-RESISTANT CLOSURES

# 28-CRC-SMPT A Vista™



## Specifications:

**DIAMETER** 28 mm

**THREAD PROFILE** CRC

**NECK FINISH** 28-CRC

**CLOSURE TOP** Embossed

**CLOSURE SIDEWALL** Smatte™

**MATERIAL** PP

## PACKAGING & FREIGHT INFORMATION

PACK TYPE	PCS/CTN	CTNS/PALT	PCS/PALT	CTN WT*	PALT WT*	FRT CLASS
Bulk	3,000	15	45,000	34.4 <sup>(1)</sup>	516 <sup>(1)</sup>	100 <sup>(1)</sup>
Bulk	3,000	15	45,000	35.6 <sup>(2)</sup>	534 <sup>(2)</sup>	100 <sup>(2)</sup>
<b>CARTON DIMENSIONS:</b> 24 x 16 x 15			<b>PALLET DIMENSIONS:</b> 48 x 40 x 50			

(1) Unlined Closures (2) Lined Closures \*Approximate

## MARKETS

Vitamins, Nutraceuticals, Pharmaceuticals, Supplements, Agricultural Products, Automotive Products, Household Chemicals, Cosmetics, Industrial Products, Cannabis, and Nutritional Powders.

## OPTIONS

Available in white, standard, and custom colors. Can be lined with a wide variety of liner systems including SureSeal (foam).

## CLOSURE BENEFITS

- Patented Smatte™ finish for a sleek look
- Offers child-resistance feature
- Vista™ CRC
- Push-and-turn
- Embossed with pictogram
- Popular for vitamins & nutraceuticals



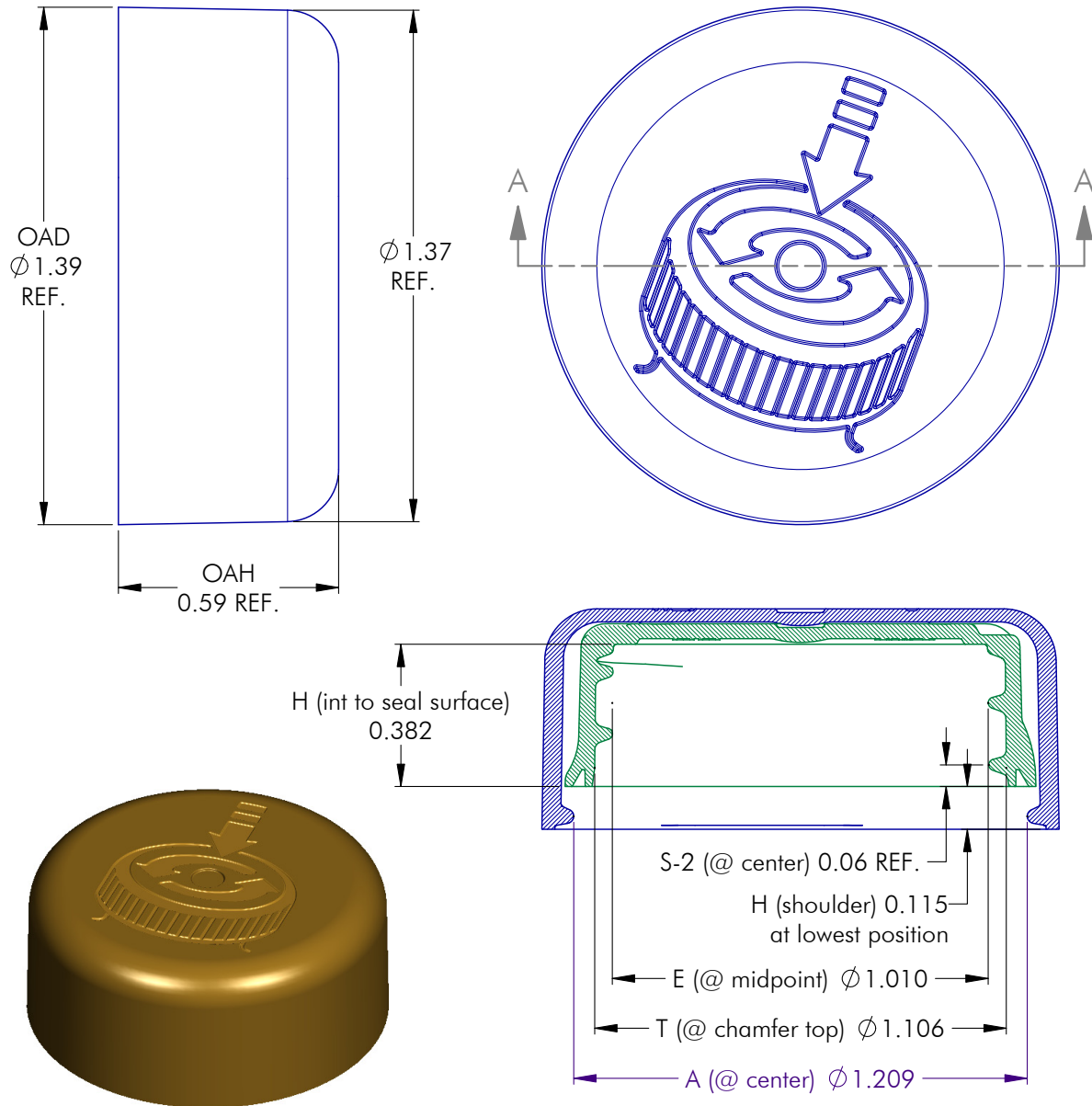
**PHOENIX™**

PHXPKG.COM

P 630 420 4750 E greatpkg@phxpkg.com  
1899 High Grove Lane Naperville, IL 60540

CHILD-RESISTANT CLOSURES

# 28-CRC-SMPT A Vista™



NOTES: (UNLESS OTHERWISE SPECIFIED)

1. ALL DIMENSIONS ARE IN INCHES.
2. SEE CHART FOR DIMENSIONAL TOLERANCE.

THIS OR FACSIMILE THEREOF IS THE EXCLUSIVE PROPERTY OF PHOENIX AND MAY NOT BE REPRODUCED WITHOUT THE EXPRESSED WRITTEN CONSENT OF PHOENIX. SOME OR ALL OF THE ITEMS DEPICTED ON THIS DRAWING MAY BE COVERED BY CURRENT PATENTS OR PATENTS APPLIED FOR BY PHOENIX.

4	03.19.21	Update "E" Dim. to Reflect Production		DN
REV	DATE	DESCRIPTION		BY
TOLERANCE	PITCH/TPI	.167 / 6	TURNS ~1-1/4	MAT'L PP
.X	$\pm 0.1$	DRAWN DMN	DATE 07.24.20	SCALE 5 : 2
.XX	$\pm 0.02$	28 - CRC - SMPT S		REV
.XXX	$\pm 0.010$			4



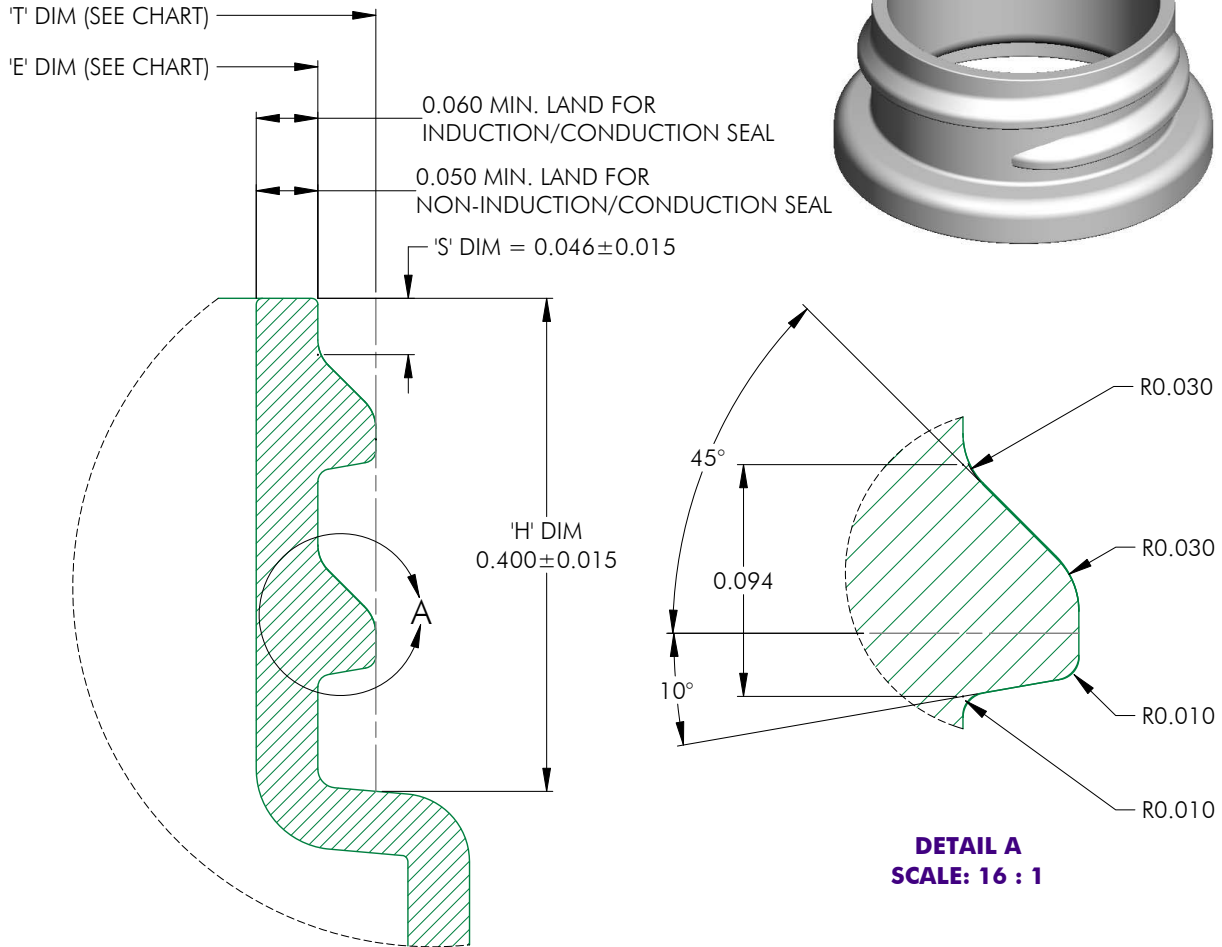
**PHOENIX™**

PHXPKG.COM

P 630 420 4750 E greatpkg@phxpkg.com  
1899 High Grove Lane Naperville, IL 60540

CHILD-RESISTANT CLOSURES

# 28-CRC-SMPT A Vista™



MATERIAL	T (mean)	E (mean)	TOLERANCE
PP / PE	1.078	0.984	± 0.010
PET	1.080	0.986	± 0.008
GLASS	N/A	N/A	± N/A

NOTES: (UNLESS OTHERWISE SPECIFIED) 1. ALL DIMENSIONS ARE IN INCHES. 2. SEE CHART FOR DIMENSIONAL TOLERANCE.  THIS OR FACSIMILE THEREOF IS THE EXCLUSIVE PROPERTY OF PHOENIX AND MAY NOT BE REPRODUCED WITHOUT THE EXPRESSED WRITTEN CONSENT OF PHOENIX. SOME OR ALL OF THE ITEMS DEPICTED ON THIS DRAWING MAY BE COVERED BY CURRENT PATENTS OR PATENTS APPLIED FOR BY PHOENIX.	0	11.15.04	Released	BZ			
	REV	DATE	DESCRIPTION	BY			
	TOLERANCE	PITCH/TPI	.167 / 6	TURNS	1-1/8	MAT'L	PER CHART
	.X ±0.1	DRAWN	BEZ	DATE	11.15.04	SCALE	8 : 1
.XX ±0.02	<b>28 - 400 - FINISH</b>						0
.XXX ±0.010							



PHXPKG.COM

P 630 420 4750 E greatpkg@phxpkg.com  
1899 High Grove Lane Naperville, IL 60540