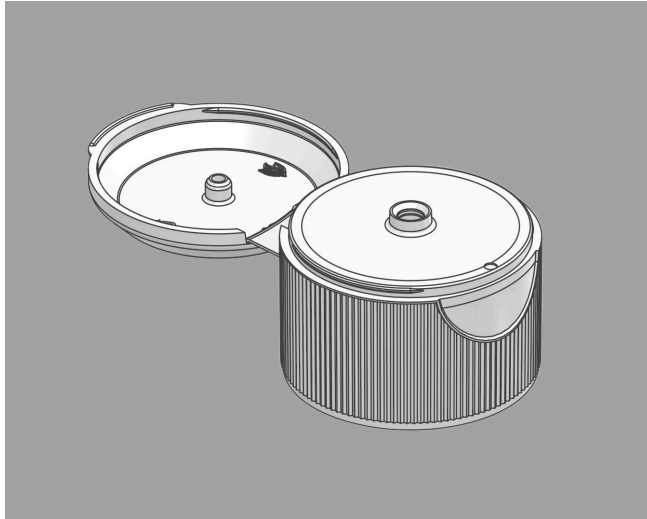


DISPENSING CLOSURES

28-DIS-CR13 U Oasis™



Specifications:

DIAMETER 28 mm
THREAD PROFILE 410
NECK FINISH 28-410
CLOSURE TYPE Flip-top dispensing
CLOSURE TOP Smooth
CLOSURE SIDEWALL Ribbed
MATERIAL PP

PACKAGING & FREIGHT INFORMATION

PACK TYPE	PCS/CTN	CTNS/PALT	PCS/PALT	CTN WT*	PALT WT*	FRT CLASS
Bulk	3,100	15	46,500	TBD ⁽¹⁾	TBD ⁽¹⁾	TBD ⁽¹⁾
CARTON DIMENSIONS: 24 x 16 x 15			PALLET DIMENSIONS: 48 x 40 x 50			

(1) Unlined Closures (2) Lined Closures *Approximate

MARKETS

Hand sanitizer, Liquid Soaps, Shampoos, Skin Care, Gels, Lotions, Syrup, Honey, Cleansers, Cleansing Liquids.

OPTIONS

Available in white, standard, and custom colors.

CLOSURE BENEFITS

- 0.125" orifice
- Crab-claw linerless seal
- Leak-free design
- Oasis™ flip-top dispensing closure
- Popular for hand sanitizers
- Popular for personal care items



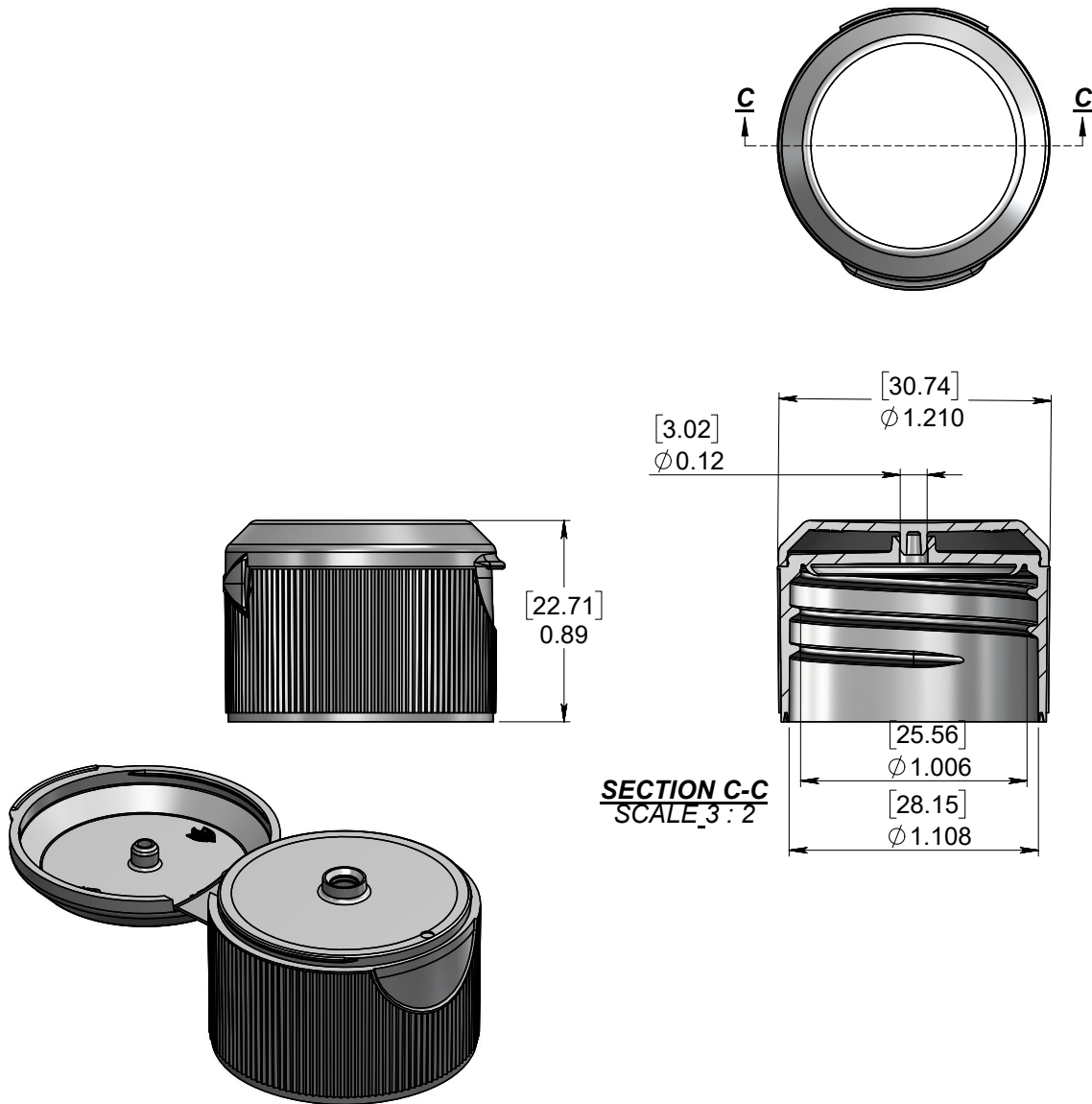
PHOENIX™

PHXPKG.COM

P 630 420 4750 E greatpkg@phxpkg.com
1899 High Grove Lane Naperville, IL 60540

DISPENSING CLOSURES

28-DIS-CR13 U Oasis™



<p>NOTES: (UNLESS OTHERWISE SPECIFIED) 1. ALL DIMENSIONS ARE IN INCHES. 2. SEE CHART FOR DIMENSIONAL TOLERANCE.</p> <p>THIS OR FACSIMILE THEREOF IS THE EXCLUSIVE PROPERTY OF PHOENIX AND MAY NOT BE REPRODUCED WITHOUT THE EXPRESSED WRITTEN CONSENT OF PHOENIX. SOME OR ALL OF THE ITEMS DEPICTED ON THIS DRAWING MAY BE COVERED BY CURRENT PATENTS OR PATENTS APPLIED FOR BY PHOENIX.</p>	D	04.20.20	Finalize Design, Add PCI Logo			TCS
	REV	DATE	DESCRIPTION			BY
	TOLERANCE	PITCH/TPI .167 / 6		URNS	1	MAT'L PP
	.X	±0.1	DRAWN RAG	DATE 04.16.20	SCALE 1.5 : 1	REV
.XX	±0.02	028 - DIS - CR13 U				D
.XXX	±0.010					

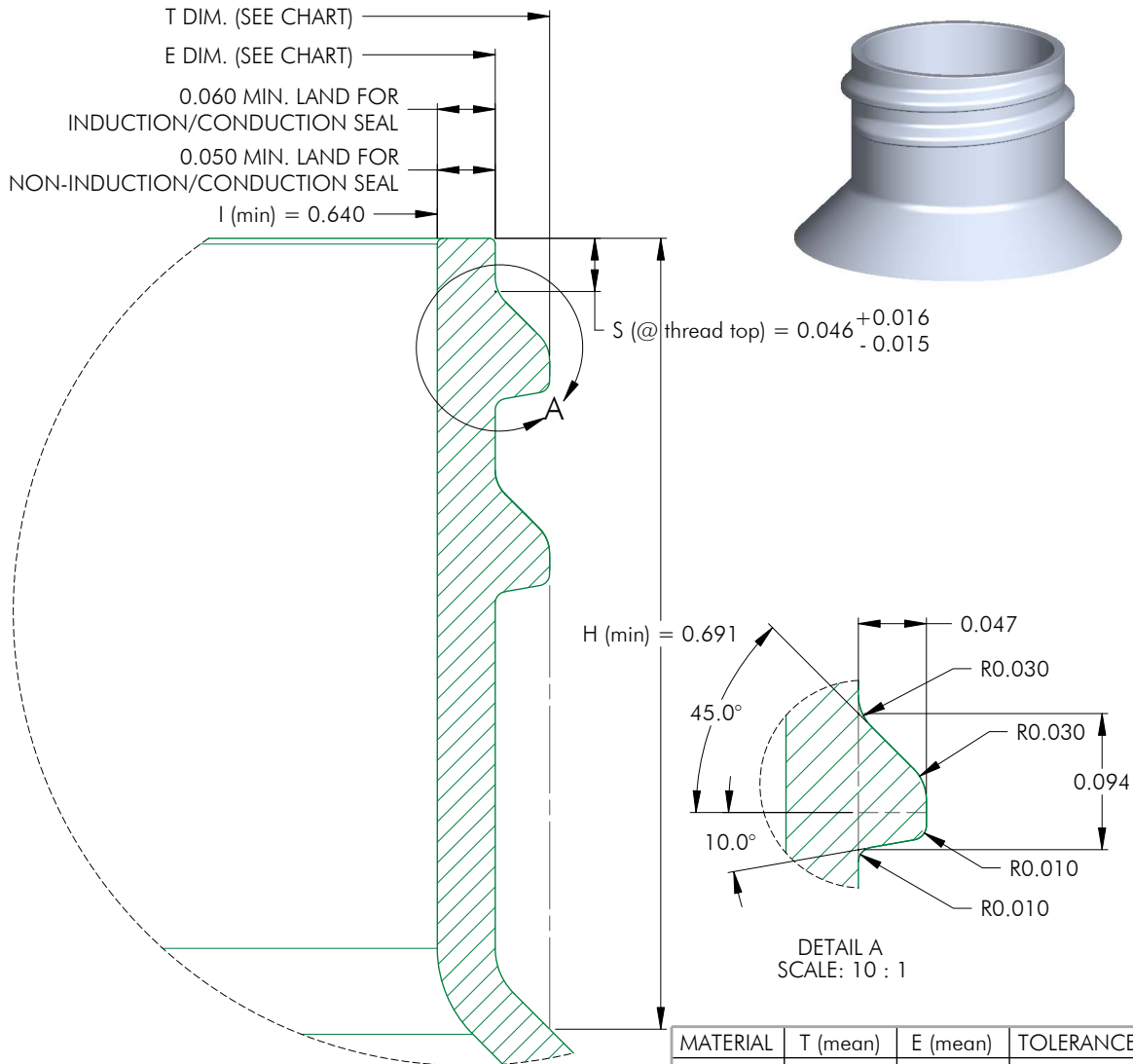


PHXPKG.COM

P 630 420 4750 E greatpkg@phxpkg.com
 1899 High Grove Lane Naperville, IL 60540

DISPENSING CLOSURES

28-DIS-CR13 U Oasis™



MATERIAL	T (mean)	E (mean)	TOLERANCE
PP / PE	1.078	0.984	± 0.010
PET	1.078	0.984	± 0.006
GLASS	N/A	N/A	± N/A

NOTES: (UNLESS OTHERWISE SPECIFIED) 1. ALL DIMENSIONS ARE IN INCHES. 2. SEE CHART FOR DIMENSIONAL TOLERANCE.		0	10.19.18	Released	BZ	
REV	DATE	DESCRIPTION		BY		
TOLERANCE		PITCH/TPI	1.67 / 6	TURNS	1-1/4	MAT'L PER CHART
.X	±0.1	DRAWN	BEZ	DATE	10.19.04	SCALE 8 : 1
.XX	±0.02					REV
.XXX	±0.010			28 - 410 - FINISH		0



PHXPKG.COM

P 630 420 4750 E greatpkg@phxpkg.com
1899 High Grove Lane Naperville, IL 60540