

DISPENSING CLOSURES

24-DIS-CS38 U Oasis®



Specifications:

DIAMETER 24 mm
THREAD PROFILE 410
NECK FINISH 24-410
CLOSURE TYPE Flip-top dispensing
CLOSURE TOP Smooth
CLOSURE SIDEWALL Smooth
MATERIAL PP

PACKAGING & FREIGHT INFORMATION

PACK TYPE	PCS/CTN	CTNS/PALT	PCS/PALT	CTN WT*	PALT WT*	FRT CLASS
Bulk	4,650	15	69,750	TBD ⁽¹⁾	TBD ⁽¹⁾	TBD ⁽¹⁾
CARTON DIMENSIONS: 24 x 16 x 15			PALLET DIMENSIONS: 48 x 40 x 50			

(1) Unlined Closures (2) Lined Closures *Approximate

MARKETS

Hand sanitizer, Liquid Soaps, Shampoos, Skin Care, Gels, Lotions, Syrup, Honey, Cleansers, Cleansing Liquids.

OPTIONS

Available in white, standard, and custom colors.

CLOSURE BENEFITS

- 0.375" orifice
- Crab-claw linerless seal
- Smooth gloss finish
- Oasis® flip-top dispensing closure
- Leak-free design
- Popular for hand sanitizers
- Popular for personal care items

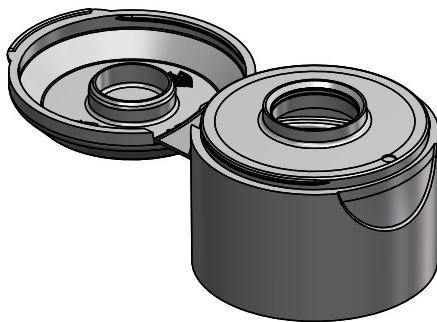
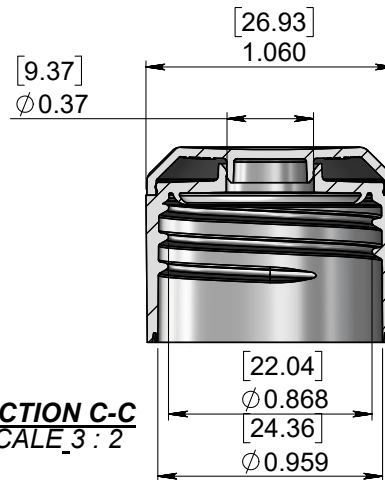
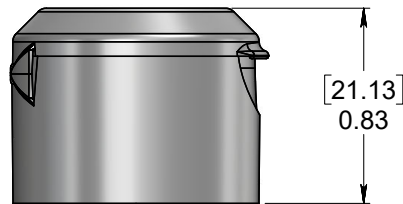
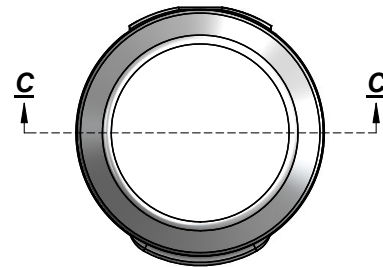


PHXPKG.COM

P 630 420 4750 E greatpkg@phxpkg.com
975 Meridian Lake Drive • Aurora, IL 60504

DISPENSING CLOSURES

24-DIS-CS38 U Oasis®



NOTES: (UNLESS OTHERWISE SPECIFIED)
 1. ALL DIMENSIONS ARE IN INCHES.
 2. SEE CHART FOR DIMENSIONAL TOLERANCE.

THIS OR FACSIMILE THEREOF IS THE EXCLUSIVE PROPERTY OF PHOENIX AND MAY NOT BE REPRODUCED WITHOUT THE EXPRESSED WRITTEN CONSENT OF PHOENIX. SOME OR ALL OF THE ITEMS DEPICTED ON THIS DRAWING MAY BE COVERED BY CURRENT PATENTS OR PATENTS APPLIED FOR BY PHOENIX.

D	04.20.20	Finalize Design, Add PCI Logo			TCS
REV	DATE	DESCRIPTION			BY
TOLERANCE		PITCH/TPI	.167 / 6	TURNS	1
		MAT'L	PP		
.X	±0.1	DRAWN	RAG	DATE	04.16.20
.XX	±0.02	SCALE	1.5 : 1		REV
.XXX	±0.010	024 - DIS - CS38 U			D

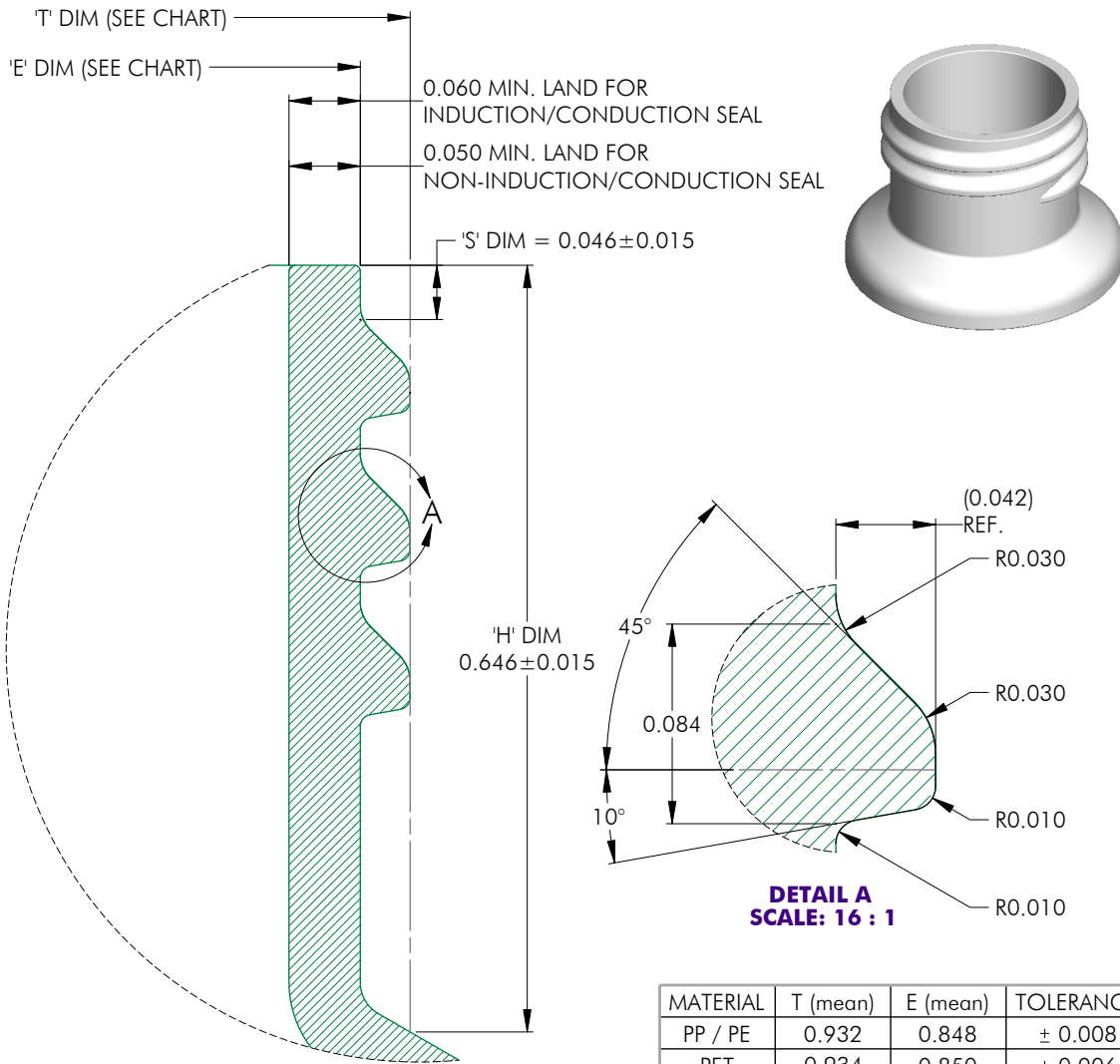


PHXPKG.COM

P 630 420 4750 E greatpkg@phxpkg.com
 975 Meridian Lake Drive • Aurora, IL 60504

DISPENSING CLOSURES

24-DIS-CS38 U Oasis®



MATERIAL	T (mean)	E (mean)	TOLERANCE
PP / PE	0.932	0.848	± 0.008
PET	0.934	0.850	± 0.006
GLASS	N/A	N/A	± N/A

NOTES: (UNLESS OTHERWISE SPECIFIED)		0		10.19.04		Released		BZ		
1. ALL DIMENSIONS ARE IN INCHES.		REV	DATE	DESCRIPTION				BY		
2. SEE CHART FOR DIMENSIONAL TOLERANCE.										
THIS OR FACSIMILE THEREOF IS THE EXCLUSIVE PROPERTY OF PHOENIX AND MAY NOT BE REPRODUCED WITHOUT THE EXPRESSED WRITTEN CONSENT OF PHOENIX. SOME OR ALL OF THE ITEMS DEPICTED ON THIS DRAWING MAY BE COVERED BY CURRENT PATENTS OR PATENTS APPLIED FOR BY PHOENIX.		TOLERANCE	PITCH/TPI .125 / 8		TURNS 2		MAT'L PER CHART			
		.X ±0.1	DRAWN	BEZ	DATE	10.19.04	SCALE	8 : 1	REV	
		.XX ±0.02	24 - 410 - FINISH							0
		.XXX ±0.010								



PHXPKG.COM

P 630 420 4750 E greatpkg@phxpkg.com
975 Meridian Lake Drive • Aurora, IL 60504