

## DISPENSING CLOSURES

# 24-DIS-CS13 U Oasis™



## Specifications:

**DIAMETER** 24 mm  
**THREAD PROFILE** 410  
**NECK FINISH** 24-410  
**CLOSURE TYPE** Flip-top dispensing  
**CLOSURE TOP** Smooth  
**CLOSURE SIDEWALL** Smooth  
**MATERIAL** PP

## PACKAGING & FREIGHT INFORMATION

| PACK TYPE                              | PCS/CTN | CTNS/PALT | PCS/PALT                               | CTN WT*            | PALT WT*           | FRT CLASS          |
|--|---------|-----------|--|--------------------|--------------------|--------------------|
| Bulk                                   | 4,650   | 15        | 69,750                                 | TBD <sup>(1)</sup> | TBD <sup>(1)</sup> | TBD <sup>(1)</sup> |
| <b>CARTON DIMENSIONS: 24 x 16 x 15</b> |         |           | <b>PALLET DIMENSIONS: 48 x 40 x 50</b> |                    |                    |                    |

(1) Unlined Closures (2) Lined Closures \*Approximate

## MARKETS

Hand sanitizer, Liquid Soaps, Shampoos, Skin Care, Gels, Lotions, Syrup, Honey, Cleansers, Cleansing Liquids.

## OPTIONS

Available in white, standard, and custom colors.

## CLOSURE BENEFITS

- 0.125" orifice
- Crab-claw linerless seal
- Smooth gloss finish
- Oasis™ flip-top dispensing closure
- Leak-free design
- Popular for hand sanitizers
- Popular for personal care items



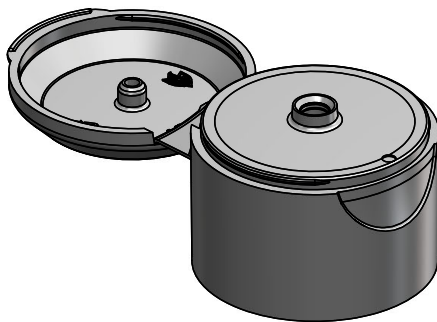
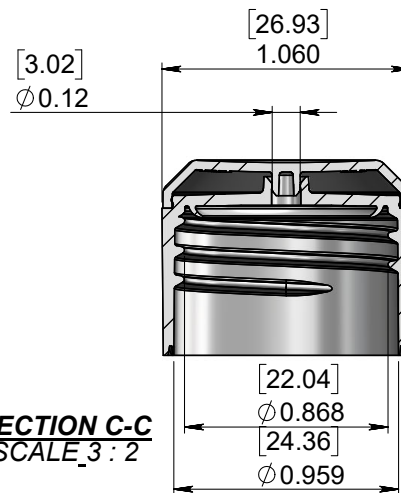
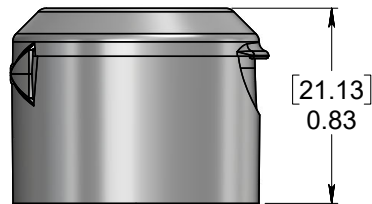
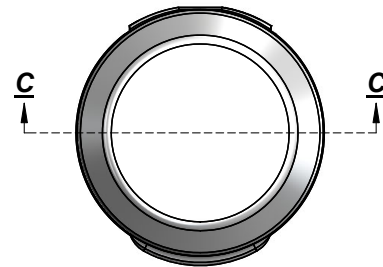
**PHOENIX™**

PHXPKG.COM

P 630 420 4750 E greatpkg@phxpkg.com  
1899 High Grove Lane Naperville, IL 60540

DISPENSING CLOSURES

# 24-DIS-CS13 U Oasis™



NOTES: (UNLESS OTHERWISE SPECIFIED)  
 1. ALL DIMENSIONS ARE IN INCHES.  
 2. SEE CHART FOR DIMENSIONAL TOLERANCE.

THIS OR FACSIMILE THEREOF IS THE EXCLUSIVE PROPERTY OF PHOENIX AND MAY NOT BE REPRODUCED WITHOUT THE EXPRESSED WRITTEN CONSENT OF PHOENIX. SOME OR ALL OF THE ITEMS DEPICTED ON THIS DRAWING MAY BE COVERED BY CURRENT PATENTS OR PATENTS APPLIED FOR BY PHOENIX.

|           |           |                               |               |               |          |
|-----------|-----------|-------------------------------|---------------|---------------|----------|
| D         | 04.20.20  | Finalize Design, Add PCI Logo |               |               | TCS      |
| REV       | DATE      | DESCRIPTION                   |               |               | BY       |
| TOLERANCE | PITCH/TPI | .167 / 6                      | TURNS         | 1             | MAT'L PP |
| .X        | ±0.1      | DRAWN RAG                     | DATE 04.16.20 | SCALE 1.5 : 1 | REV      |
| .XX       | ±0.02     | 024 - DIS - CS13 U            |               |               | D        |
| .XXX      | ±0.010    |                               |               |               |          |



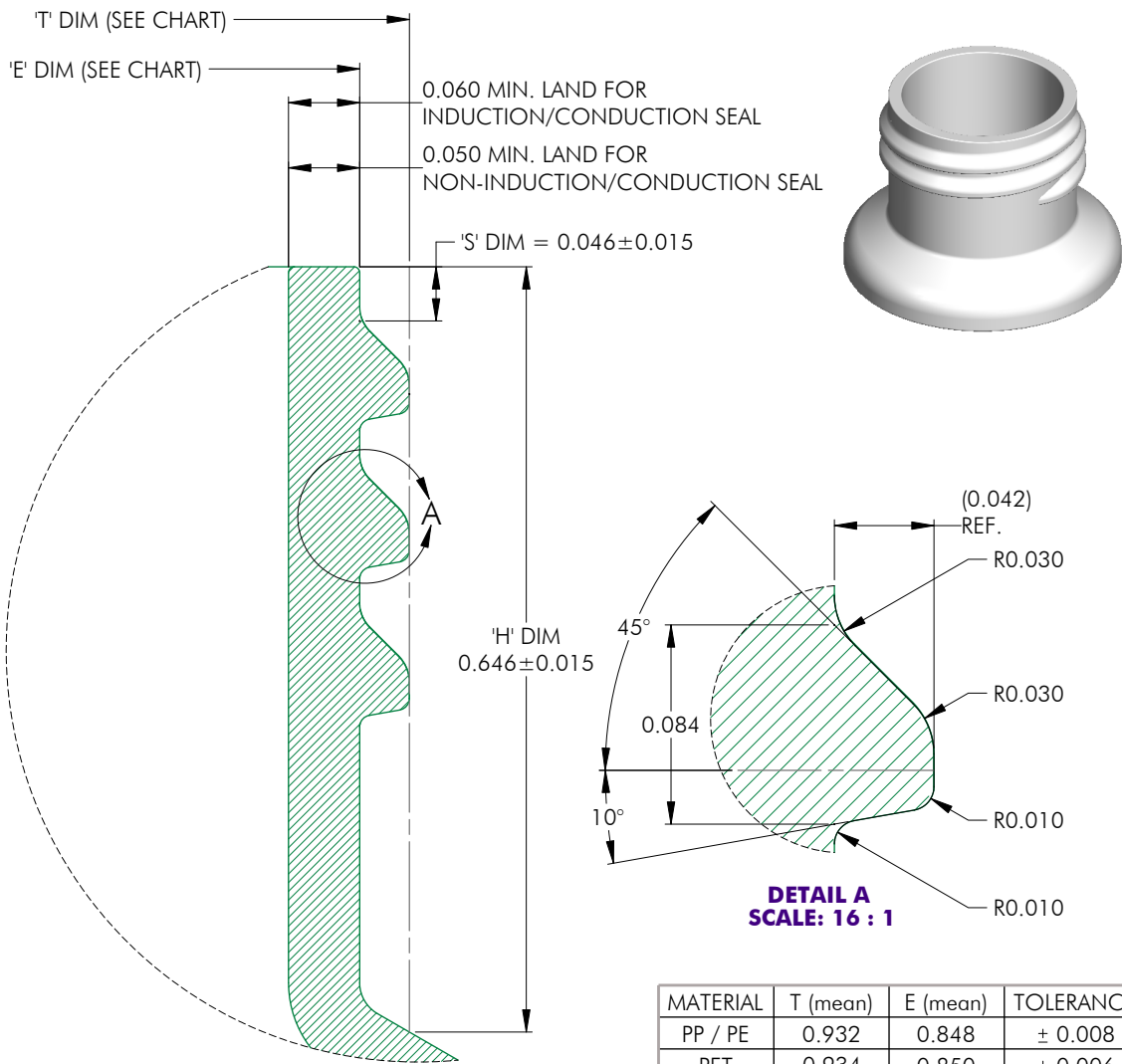
**PHOENIX™**

PHXPKG.COM

P 630 420 4750 E greatpkg@phxpkg.com  
 1899 High Grove Lane Naperville, IL 60540

DISPENSING CLOSURES

# 24-DIS-CS13 U Oasis™



| MATERIAL | T (mean) | E (mean) | TOLERANCE |
|----------|----------|----------|-----------|
| PP / PE  | 0.932    | 0.848    | ± 0.008   |
| PET      | 0.934    | 0.850    | ± 0.006   |
| GLASS    | N/A      | N/A      | ± N/A     |

|  |        |                   |          |          |          |
|--|--------|-------------------|----------|----------|----------|
| NOTES: (UNLESS OTHERWISE SPECIFIED)<br>1. ALL DIMENSIONS ARE IN INCHES.<br>2. SEE CHART FOR DIMENSIONAL TOLERANCE. |        | 0                 | 10.19.04 | Released | BZ       |
| REV  | DATE   | DESCRIPTION       |          |          | BY       |
| TOLERANCE  |        | PITCH/TPI         | .125 / 8 | TURNS    | 2        |
| MATERIAL   |        | PER CHART         |          |          |          |
| .X   | ±0.1   | DRAWN             | BEZ      | DATE     | 10.19.04 |
| .XX  | ±0.02  | SCALE             | 8 : 1    |          |          |
| .XXX   | ±0.010 | 24 - 410 - FINISH |          |          | 0        |



PHXPKG.COM

P 630 420 4750 E greatpkg@phxpkg.com  
1899 High Grove Lane Naperville, IL 60540