

DISPENSING CLOSURES

# 24-DIS-CR13 U Oasis™



## Specifications:

- DIAMETER** 24 mm
- THREAD PROFILE** 410
- NECK FINISH** 24-410
- CLOSURE TYPE** Flip-top dispensing
- CLOSURE TOP** Smooth
- CLOSURE SIDEWALL** Ribbed
- MATERIAL** PP

## PACKAGING & FREIGHT INFORMATION

PACK TYPE	PCS/CTN	CTNS/PALT	PCS/PALT	CTN WT*	PALT WT*	FRT CLASS
Bulk	4,650	15	69,750	TBD <sup>(1)</sup>	TBD <sup>(1)</sup>	TBD <sup>(1)</sup>
<b>CARTON DIMENSIONS: 24 x 16 x 15</b>			<b>PALLET DIMENSIONS: 48 x 40 x 50</b>			

(1) Unlined Closures (2) Lined Closures \*Approximate

## MARKETS

Hand sanitizer, Liquid Soaps, Shampoos, Skin Care, Gels, Lotions, Syrup, Honey, Cleansers, Cleansing Liquids.

## OPTIONS

Available in white, standard, and custom colors.

## CLOSURE BENEFITS

- 0.125" orifice
- Crab-claw linerless seal
- Leak-free design
- Oasis™ flip-top dispensing closure
- Popular for hand sanitizers
- Popular for personal care items

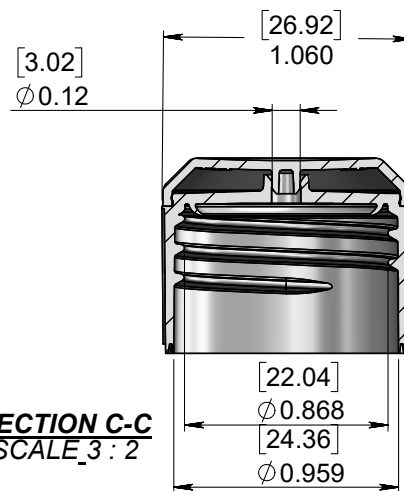
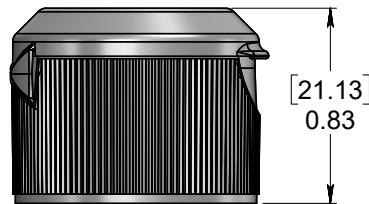
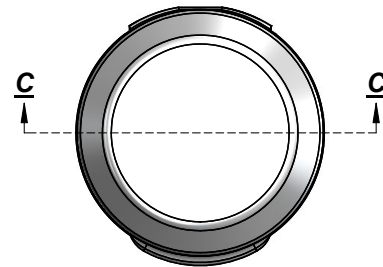


PHXPKG.COM

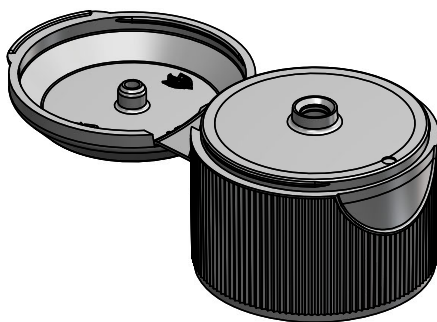
P 630 420 4750 E greatpkg@phxpkg.com  
1899 High Grove Lane Naperville, IL 60540

DISPENSING CLOSURES

# 24-DIS-CR13 U Oasis™



**SECTION C-C**  
SCALE 3 : 2



NOTES: (UNLESS OTHERWISE SPECIFIED)  
1. ALL DIMENSIONS ARE IN INCHES.  
2. SEE CHART FOR DIMENSIONAL TOLERANCE.

THIS OR FACSIMILE THEREOF IS THE EXCLUSIVE PROPERTY OF PHOENIX AND MAY NOT BE REPRODUCED WITHOUT THE EXPRESSED WRITTEN CONSENT OF PHOENIX. SOME OR ALL OF THE ITEMS DEPICTED ON THIS DRAWING MAY BE COVERED BY CURRENT PATENTS OR PATENTS APPLIED FOR BY PHOENIX.

D	04.20.20	Finalize Design, Add PCI Logo			TCS
REV	DATE	DESCRIPTION			BY
TOLERANCE	PITCH/TPI	.167 / 6	TURNS	1	MAT'L PP
.X	±0.1	DRAWN	RAG	DATE	04.16.20
.XX	±0.02	SCALE			1.5 : 1
.XXX	±0.010	024 - DIS - CR13 U			D



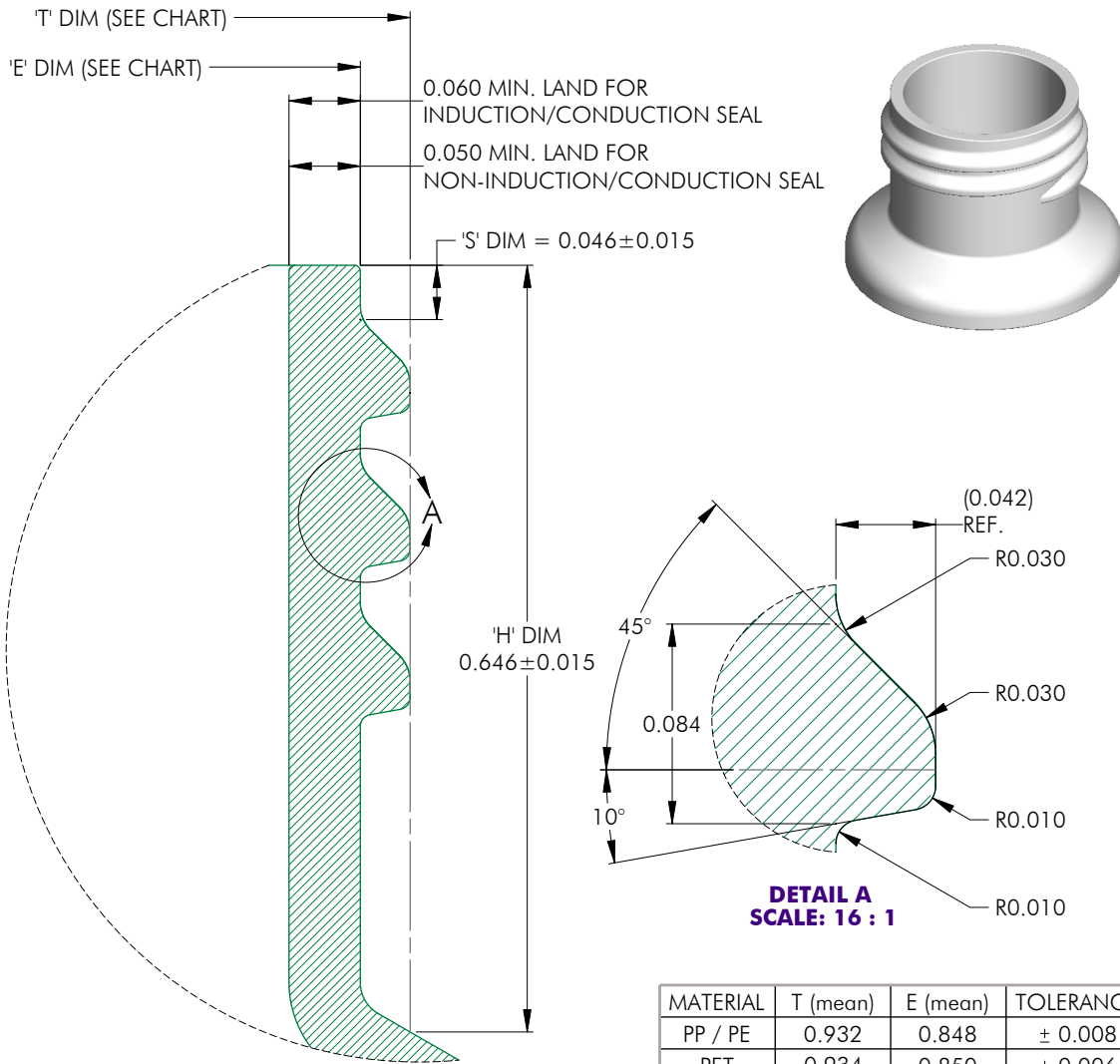
**PHOENIX™**

PHXPKG.COM

P 630 420 4750 E greatpkg@phxpkg.com  
1899 High Grove Lane Naperville, IL 60540

DISPENSING CLOSURES

# 24-DIS-CR13 U Oasis™



MATERIAL	T (mean)	E (mean)	TOLERANCE
PP / PE	0.932	0.848	± 0.008
PET	0.934	0.850	± 0.006
GLASS	N/A	N/A	± N/A

NOTES: (UNLESS OTHERWISE SPECIFIED) 1. ALL DIMENSIONS ARE IN INCHES. 2. SEE CHART FOR DIMENSIONAL TOLERANCE.		0	10.19.04	Released	BZ
REV	DATE	DESCRIPTION			BY
TOLERANCE		PITCH/TPI	.125 / 8	TURNS	2
MATERIAL		PER CHART			
.X	±0.1	DRAWN	BEZ	DATE	10.19.04
.XX	±0.02	SCALE		8 : 1	REV
.XXX	±0.010	24 - 410 - FINISH			0



PHXPKG.COM

P 630 420 4750 E greatpkg@phxpkg.com  
1899 High Grove Lane Naperville, IL 60540