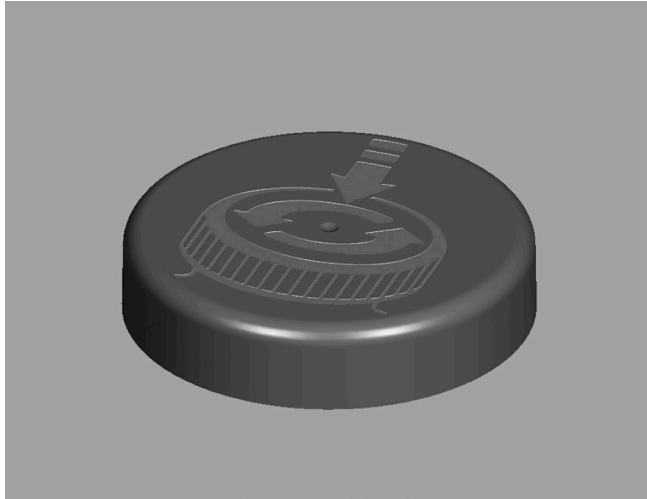


CHILD-RESISTANT CLOSURES

63-CRC-SMPT A Vista®



Specifications:

DIAMETER 63 mm

THREAD PROFILE CRC

NECK FINISH 63-CRC

CLOSURE TOP Embossed

CLOSURE SIDEWALL Smatte™

MATERIAL PP

PACKAGING & FREIGHT INFORMATION

PACK TYPE	PCS/CTN	CTNS/PALT	PCS/PALT	CTN WT*	PALT WT*	FRT CLASS
Bulk	1,000	15	15,000	32 ⁽¹⁾	480 ⁽¹⁾	100 ⁽¹⁾
Bulk	1,000	15	15,000	32 ⁽²⁾	480 ⁽²⁾	100 ⁽²⁾
CARTON DIMENSIONS: 24 x 16 x 15			PALLET DIMENSIONS: 48 x 40 x 50			

(1) Unlined Closures (2) Lined Closures *Approximate

MARKETS

Vitamins, Nutraceuticals, Pharmaceuticals, Supplements, Agricultural Products, Automotive Products, Household Chemicals, Cosmetics, Industrial Products, Cannabis, and Nutritional Powders.

OPTIONS

Available in white, standard, and custom colors. Can be lined with a wide variety of liner systems including SureSeal (foam).

CLOSURE BENEFITS

- Patented Smatte™ finish for a sleek look
- Offers child-resistance feature
- Vista® CRC
- Push-and-turn
- Embossed with pictogram
- Popular for vitamins & nutraceuticals

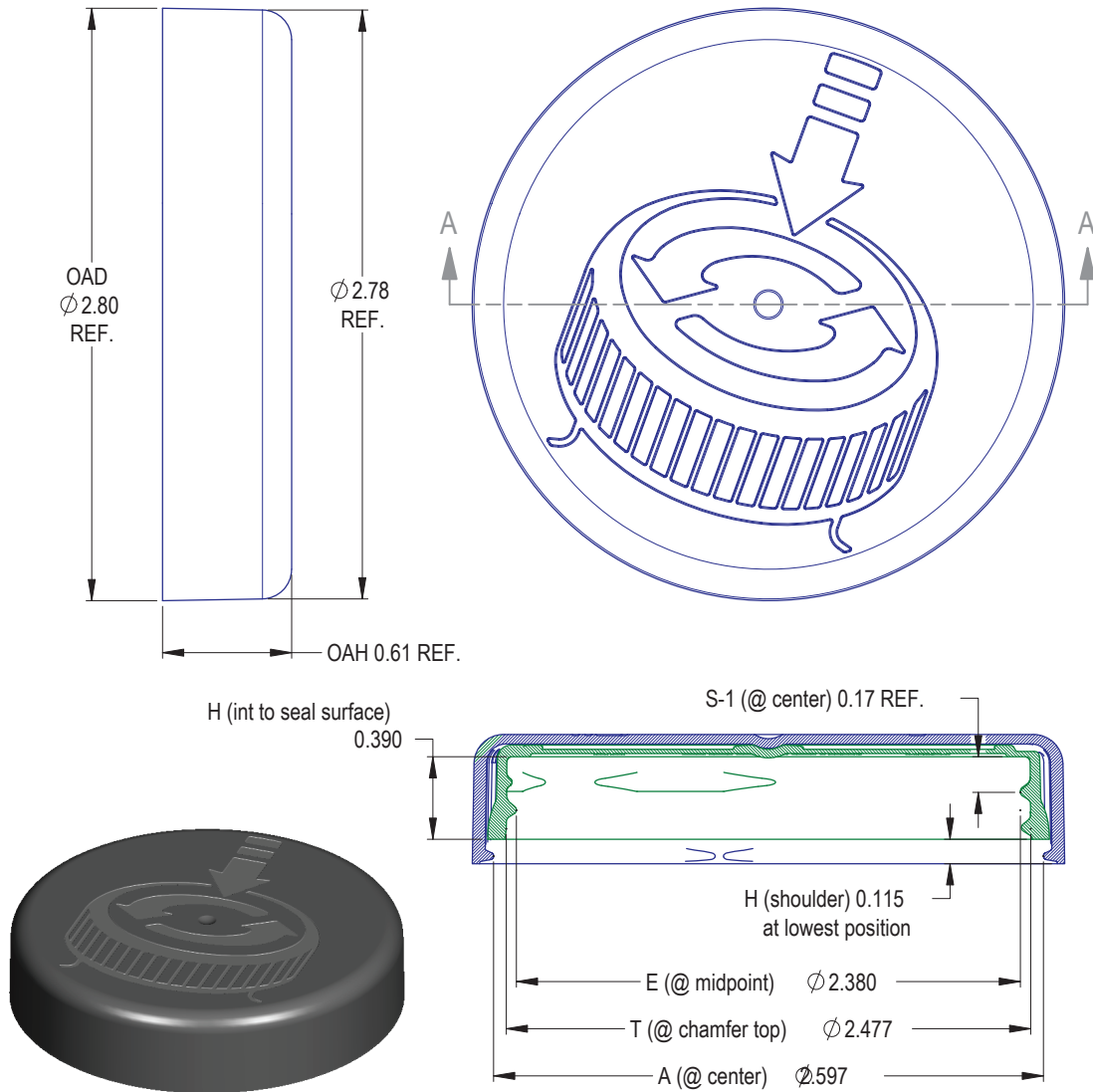


PHXPKG.COM

P 630 420 4750 E greatpkg@phxpkg.com
975 Meridian Lake Drive • Aurora, IL 60504

CHILD-RESISTANT CLOSURES

63-CRC-SMPT A Vista®



NOTES: (UNLESS OTHERWISE SPECIFIED)				1	11.04.19	Adjust OD of Inner Component Mold	DN
1. ALL DIMENSIONS ARE IN INCHES.				REV	DATE	DESCRIPTION	BY
2. SEE CHART FOR DIMENSIONAL TOLERANCE.				TOLERANCE	PITCH/TPI .167 / 6	TURNS 356°	MAT'L PP
THIS OR FACSIMILE THEREOF IS THE EXCLUSIVE PROPERTY OF PHOENIX AND MAY NOT BE REPRODUCED WITHOUT THE EXPRESSED WRITTEN CONSENT OF PHOENIX. SOME OR ALL OF THE ITEMS DEPICTED ON THIS DRAWING MAY BE COVERED BY CURRENT PATENTS OR PATENTS APPLIED FOR BY PHOENIX.				.X	±0.1	DRAWN DMN	DATE 09.02.16
				.XX	±0.02	SCALE 3 : 2	REV
				.XXX	±0.010	63 - CRC - SMPT S	

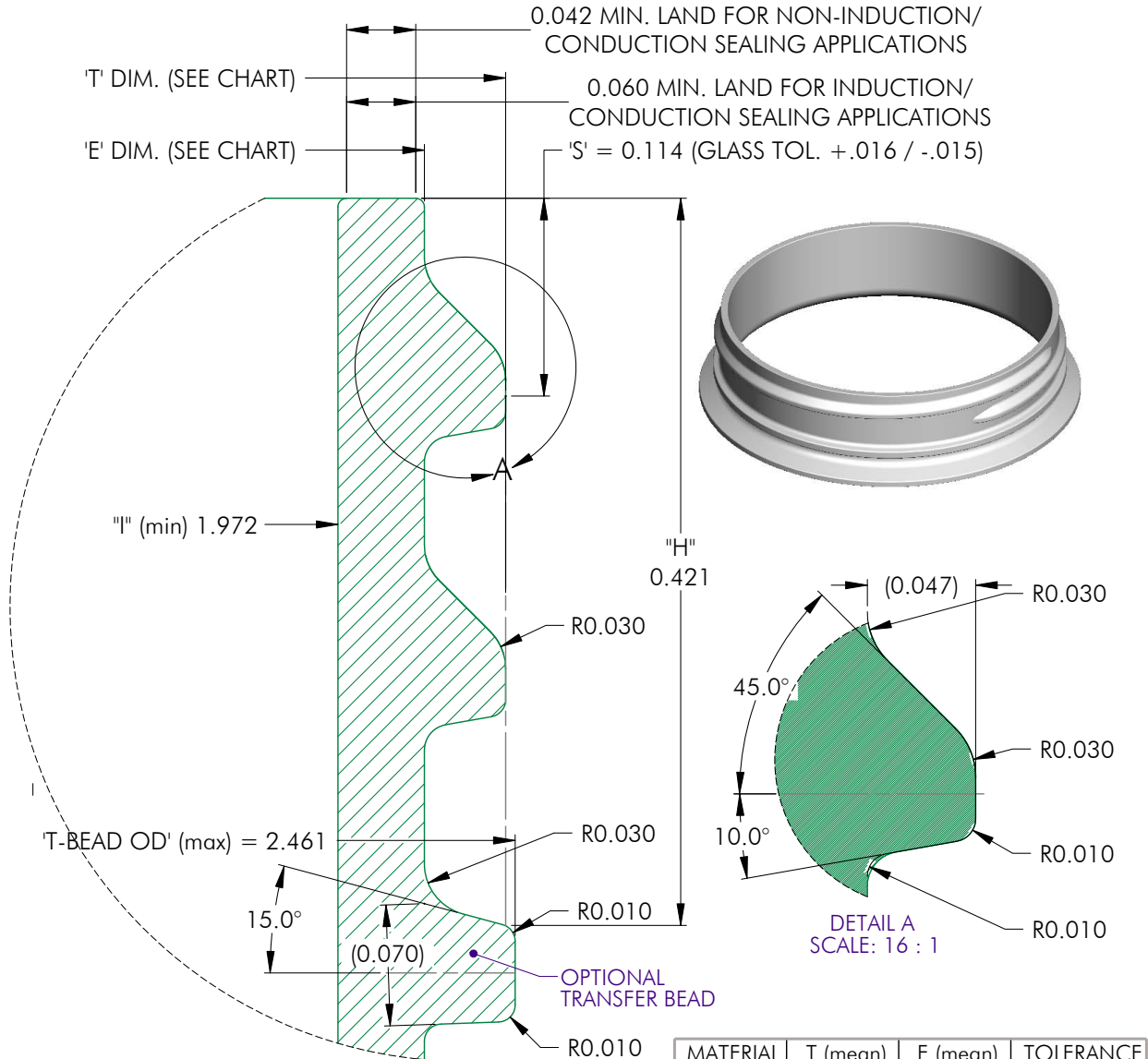


PHXPKG.COM

P 630 420 4750 E greatpkg@phxpkg.com
975 Meridian Lake Drive • Aurora, IL 60504

CHILD-RESISTANT CLOSURES

63-CRC-SMPT A Vista®



MATERIAL	T (mean)	E (mean)	TOLERANCE
PP / PE	2.4435	2.3495	± 0.0175
PET	2.451	2.357	± 0.010
GLASS	0.0000	0.0000	± 0.0000

NOTES: (UNLESS OTHERWISE SPECIFIED) 1. ALL DIMENSIONS ARE IN INCHES. 2. SEE CHART FOR DIMENSIONAL TOLERANCE.		0	09.08.07	Released	DN			
REV	DATE	DESCRIPTION			BY			
THIS OR FACSIMILE THEREOF IS THE EXCLUSIVE PROPERTY OF PHOENIX AND MAY NOT BE REPRODUCED WITHOUT THE EXPRESSED WRITTEN CONSENT OF PHOENIX. SOME OR ALL OF THE ITEMS DEPICTED ON THIS DRAWING MAY BE COVERED BY CURRENT PATENTS OR PATENTS APPLIED FOR BY PHOENIX.		TOLERANCE	PITCH/TPI	6 / 0	TURNS	1-1/2	MAT'L	SEE CHART
.X	±0.1	DRAWN	DMN	DATE	09.08.07	SCALE	12 : 1	REV
.XX	±0.02	63 - 400 - FINISH			0			
.XXX	±0.010							



PHXPKG.COM
P 630 420 4750 **E** greatpkg@phxpkg.com
 975 Meridian Lake Drive • Aurora, IL 60504