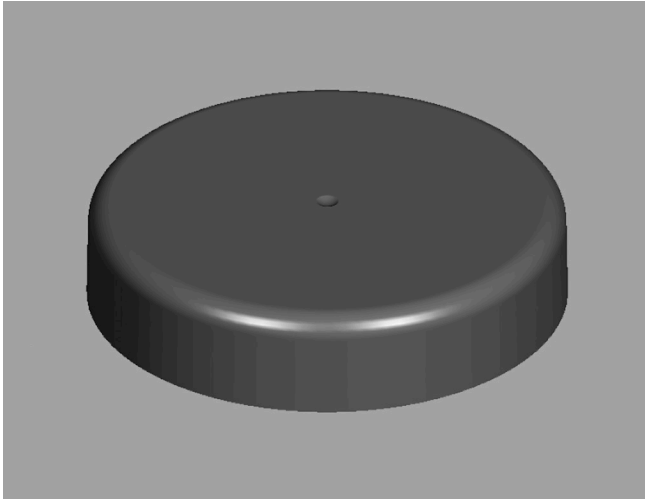


CHILD-RESISTANT CLOSURES

63-CRC-SMBK A Vista®



Specifications:

DIAMETER 63 mm

THREAD PROFILE CRC

NECK FINISH 63-CRC

CLOSURE TOP Smatte™

CLOSURE SIDEWALL Smatte™

MATERIAL PP

PACKAGING & FREIGHT INFORMATION

| PACK TYPE | PCS/CTN | CTNS/PALT | PCS/PALT | CTN WT* | PALT WT* | FRT CLASS |
|--|---------|-----------|--|-------------------|--------------------|--------------------|
| Bulk | 1,000 | 15 | 15,000 | 32 ⁽¹⁾ | 480 ⁽¹⁾ | 100 ⁽¹⁾ |
| Bulk | 1,000 | 15 | 15,000 | 32 ⁽²⁾ | 480 ⁽²⁾ | 100 ⁽²⁾ |
| CARTON DIMENSIONS: 24 x 16 x 15 | | | PALLET DIMENSIONS: 48 x 40 x 50 | | | |

(1) Unlined Closures (2) Lined Closures *Approximate

MARKETS

Vitamins, Nutraceuticals, Pharmaceuticals, Supplements, Agricultural Products, Automotive Products, Household Chemicals, Cosmetics, Industrial Products, Cannabis, and Nutritional Powders.

OPTIONS

Available in white, standard, and custom colors. Can be lined with a wide variety of liner systems including SureSeal (foam).

CLOSURE BENEFITS

- Patented Smatte™ finish for a sleek look
- Offers child-resistance feature
- Vista® CRC
- Push-and-turn
- Popular for vitamins & nutraceuticals



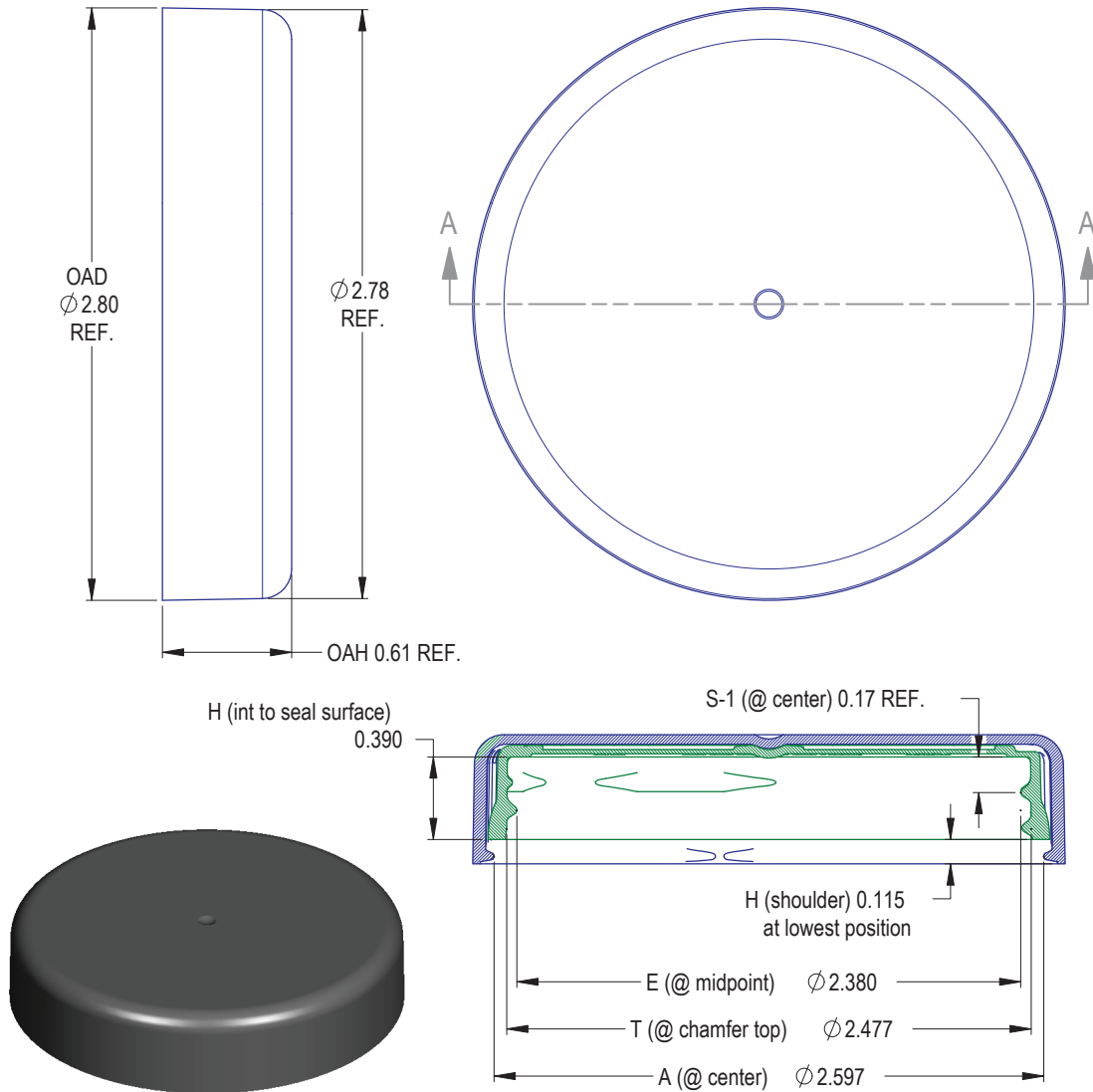
PHOENIX™

PHXPKG.COM

P 630 420 4750 E greatpkg@phxpkg.com
975 Meridian Lake Drive • Aurora, IL 60504

CHILD-RESISTANT CLOSURES

63-CRC-SMBK A Vista®



| | | | | | | | | | |
|---|--|--|--|------------------|--------------------------|-----------------------------------|-------------|-----|---|
| NOTES: (UNLESS OTHERWISE SPECIFIED) | | | | 1 | 11.04.19 | Adjust OD of Inner Component Mold | DN | | |
| 1. ALL DIMENSIONS ARE IN INCHES. | | | | REV | DATE | DESCRIPTION | BY | | |
| 2. SEE CHART FOR DIMENSIONAL TOLERANCE. | | | | | | | | | |
| THIS OR FACSIMILE THEREOF IS THE EXCLUSIVE PROPERTY OF PHOENIX AND MAY NOT BE REPRODUCED WITHOUT THE EXPRESSED WRITTEN CONSENT OF PHOENIX. SOME OR ALL OF THE ITEMS DEPICTED ON THIS DRAWING MAY BE COVERED BY CURRENT PATENTS OR PATENTS APPLIED FOR BY PHOENIX. | | | | TOLERANCE | PITCH/TPI .167 / 6 | TURNS 356° | MAT'L PP | | |
| | | | | .X ± 0.1 | DRAWN DMN | DATE 09.02.16 | SCALE 3 : 2 | REV | |
| | | | | .XX ± 0.02 | 63 - CRC - SMBK S | | | | 1 |
| | | | | .XXX ± 0.010 | | | | | |

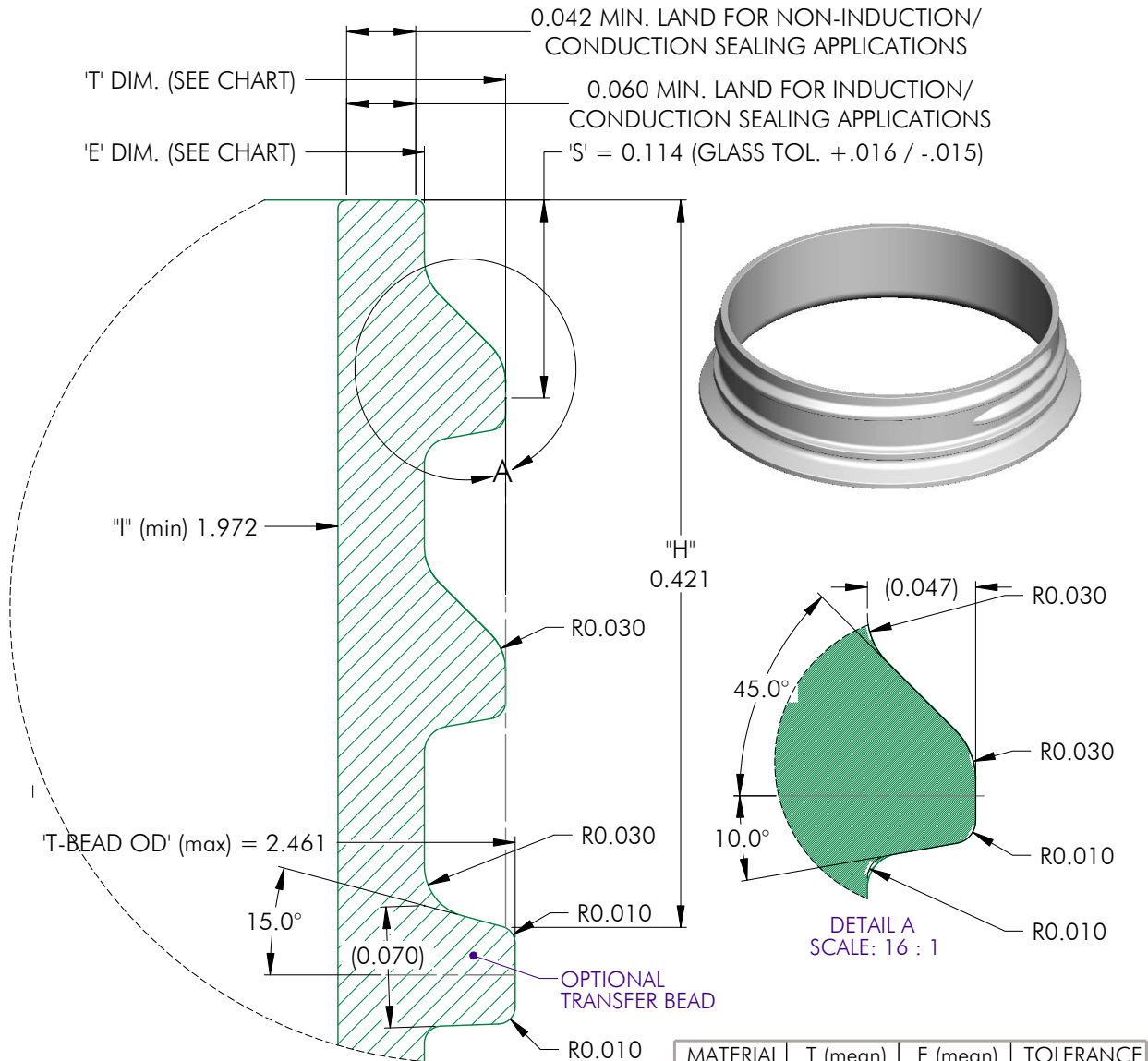


PHXPKG.COM

P 630 420 4750 E greatpkg@phxpkg.com
975 Meridian Lake Drive • Aurora, IL 60504

CHILD-RESISTANT CLOSURES

63-CRC-SMBK A Vista®



| MATERIAL | T (mean) | E (mean) | TOLERANCE |
|----------|----------|----------|-----------|
| PP / PE | 2.4435 | 2.3495 | ± 0.0175 |
| PET | 2.451 | 2.357 | ± 0.010 |
| GLASS | 0.0000 | 0.0000 | ± 0.0000 |

| | | | | | |
|---|--------|-------------------|-----------|----------|----------|
| NOTES: (UNLESS OTHERWISE SPECIFIED) 1. ALL DIMENSIONS ARE IN INCHES. 2. SEE CHART FOR DIMENSIONAL TOLERANCE. | | 0 | 09.08.07 | Released | DN |
| REV | DATE | DESCRIPTION | | | BY |
| THIS OR FACSIMILE THEREOF IS THE EXCLUSIVE PROPERTY OF PHOENIX AND MAY NOT BE REPRODUCED WITHOUT THE EXPRESSED WRITTEN CONSENT OF PHOENIX. SOME OR ALL OF THE ITEMS DEPICTED ON THIS DRAWING MAY BE COVERED BY CURRENT PATENTS OR PATENTS APPLIED FOR BY PHOENIX. | | TOLERANCE | PITCH/TPI | 6 / 0 | TURNS |
| .X | ±0.1 | DRAWN | DMN | DATE | 09.08.07 |
| .XX | ±0.02 | SCALE | 12 : 1 | | REV |
| .XXX | ±0.010 | 63 - 400 - FINISH | | | 0 |



PHXPKG.COM
 P 630 420 4750 E greatpkg@phxpkg.com
 975 Meridian Lake Drive • Aurora, IL 60504