

SCOOPS

Z40-SCM-RDBK G



Specifications:

TYPE Scoop
VOLUME 4 oz
HANDLE Medium
DESIGN Round
MATERIAL PP

PACKAGING & FREIGHT INFORMATION

PACK TYPE	PCS/CTN	CTNS/PALT	PCS/PALT	CTN WT*	PALT WT*	FRT CLASS
Bulk	300	24	7,200	10	290	250
CARTON DIMENSIONS: 19 x 15 x 18			PALLET DIMENSIONS: 40 x 48 x 80			

*Approximate

MARKETS

Nutritional Powders, Powdered Drinks, Baby Formulas, Household Chemical; Cleaning Products; Pet Products; Plant Food & Fertilizers

OPTIONS

Available in natural, white, black and colors.
Custom logo engraving available.

SCOOP BENEFITS

- Manufactured by HQC
- Customization options available
- Popular for nutritional powders
- 1 oz graduation markings



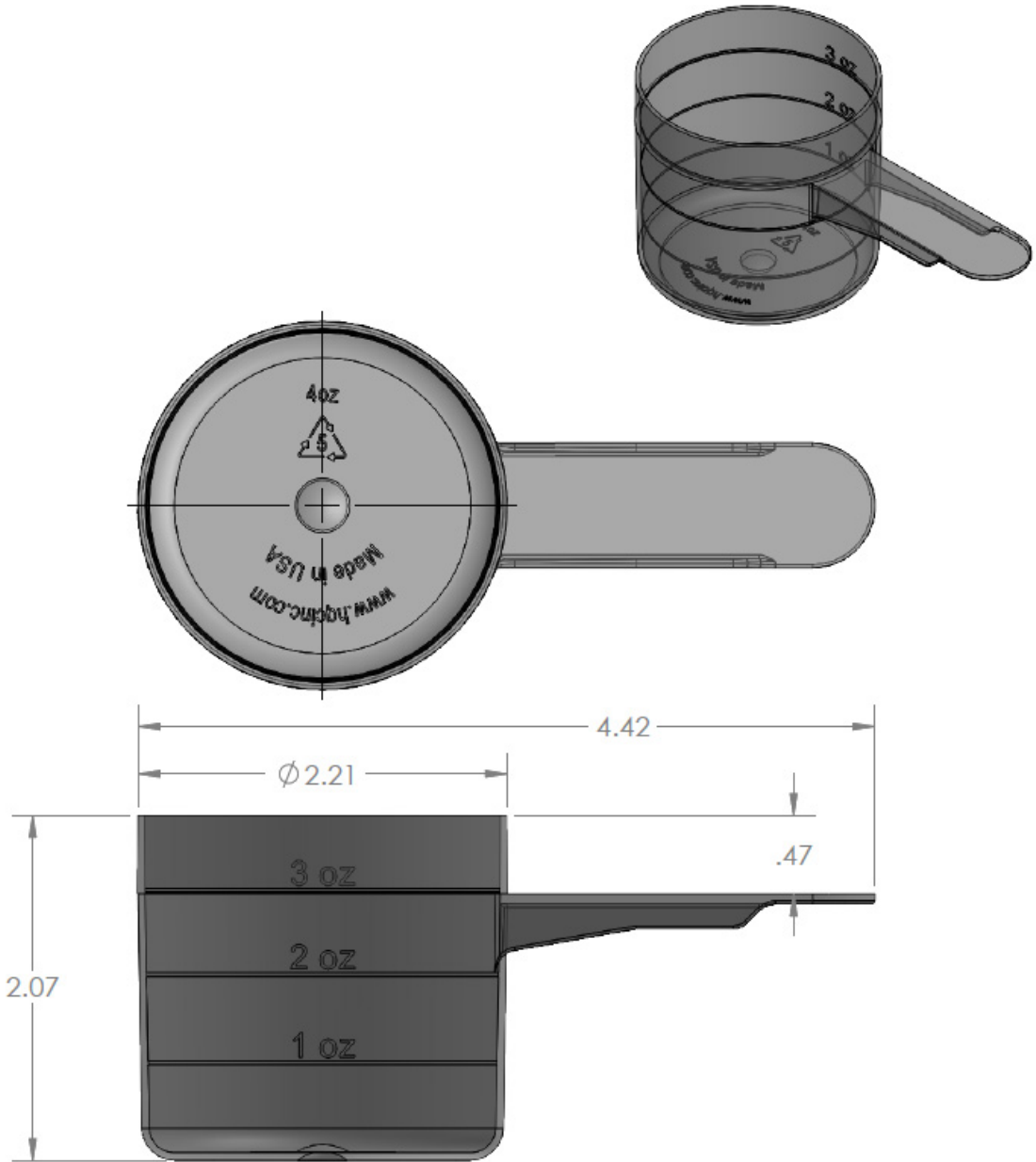
PHOENIX™

PHXPKG.COM

P 630 420 4750 E greatpkg@phxpkg.com
1899 High Grove Lane Naperville, IL 60540

SCOOPS

Z40-SCM-RDBK G



NOTES: (UNLESS OTHERWISE SPECIFIED) 1. ALL DIMENSIONS ARE IN INCHES. 2. SEE CHART FOR DIMENSIONAL TOLERANCE.		- 00.00.00 -			--
REV	DATE	DESCRIPTION			BY
TOLERANCE		PITCH/TPI	NA / 0	TURN	x MAT'L PP
.X	±0.1	DRAWN	HQC	DATE	08.10.17 SCALE 0 : 1
.XX	±0.02	Z40 - SCM - RDBK G			REV
.XXX	±0.010				0



PHOENIX™

PHXPKG.COM

P 630 420 4750 E greatpkg@phxpkg.com
1899 High Grove Lane Naperville, IL 60540