

SCOOPS

900-SCM-RDBK N



Specifications:

TYPE Scoop
VOLUME 90 cc
HANDLE Medium
DESIGN Round
MATERIAL PP

PACKAGING & FREIGHT INFORMATION

PACK TYPE	PCS/CTN	CTNS/PALT	PCS/PALT	CTN WT*	PALT WT*	FRT CLASS
Bulk	400	24	9,600	11	314	250
CARTON DIMENSIONS: 19 x 15 x 18			PALLET DIMENSIONS: 40 x 48 x 80			

*Approximate

MARKETS

Nutritional Powders, Powdered Drinks, Baby Formulas, Household Chemical; Cleaning Products; Pet Products; Plant Food & Fertilizers

OPTIONS

Available in natural, white, black and colors.
Custom logo engraving available.

SCOOP BENEFITS

- Manufactured by HQC
- Customization options available
- Popular for nutritional powders



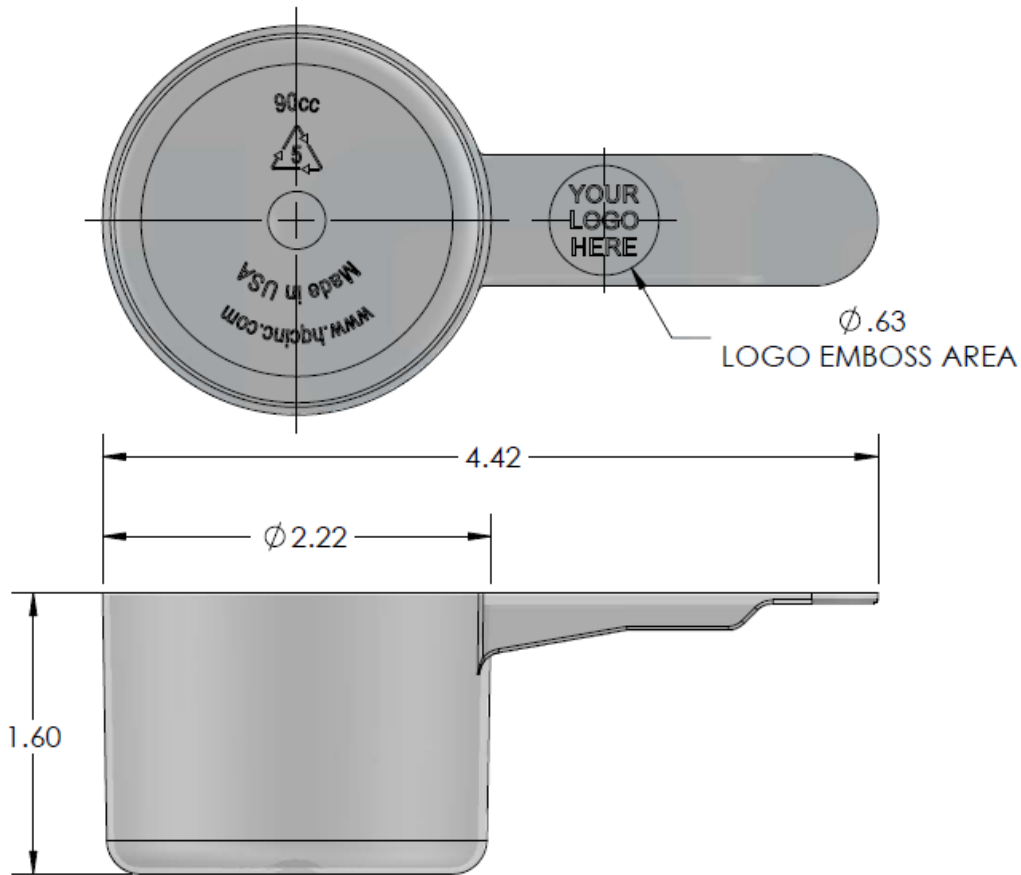
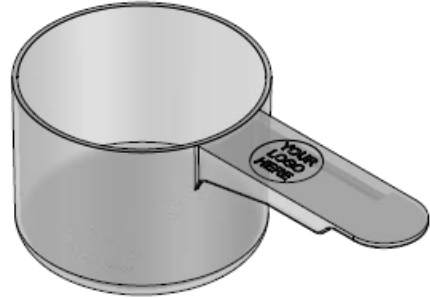
PHOENIX™

PHXPKG.COM

P 630 420 4750 **E** greatpkg@phxpkg.com
1899 High Grove Lane Naperville, IL 60540

SCOOPS

900-SCM-RDBK N



NOTES: (UNLESS OTHERWISE SPECIFIED)
 1. ALL DIMENSIONS ARE IN INCHES.
 2. SEE CHART FOR DIMENSIONAL TOLERANCE.

- 00.00.00 -		--	
REV	DATE	DESCRIPTION	BY
TOLERANCE	PITCH/TPI	NA / 0	TURNS x MAT'L PP
.X ±0.1	DRAWN	HQC	DATE 01.05.15 SCALE 0 : 1
.XX ±0.02	900 - SCM - RDBK N		REV
.XXX ±0.010			0



PHOENIX™

PHXPKG.COM

P 630 420 4750 E greatpkg@phxpkg.com
 1899 High Grove Lane Naperville, IL 60540