

SCOOPS

090-SCL-RDBK N



Specifications:

TYPE Scoop
VOLUME 9 cc
HANDLE Long
DESIGN Round
MATERIAL PP

PACKAGING & FREIGHT INFORMATION

PACK TYPE	PCS/CTN	CTNS/PALT	PCS/PALT	CTN WT*	PALT WT*	FRT CLASS
Bulk	1,100	36	39,600	8	290	200
CARTON DIMENSIONS: 19 x 15 x 11			PALLET DIMENSIONS: 40 x 48 x 78			

*Approximate

MARKETS

Nutritional Powders, Powdered Drinks, Baby Formulas, Household Chemical; Cleaning Products; Pet Products; Plant Food & Fertilizers

OPTIONS

Available in natural, white, black and colors.

SCOOP BENEFITS

- Manufactured by HQC
- Customization options available
- Popular for nutritional powders



PHOENIX™

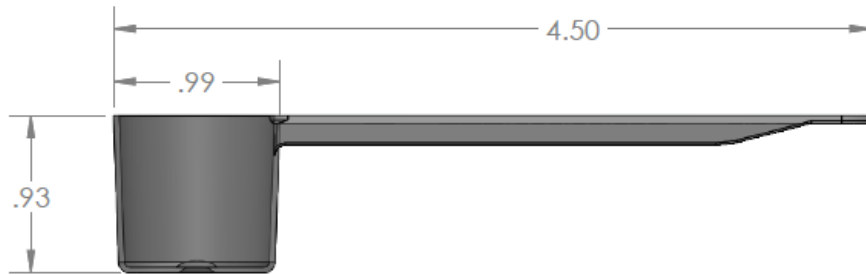
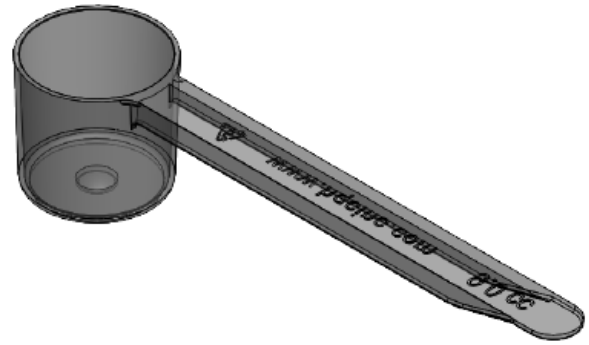
PHXPKG.COM

P 630 420 4750 E greatpkg@phxpkg.com
975 Meridian Lake Drive ▪ Aurora, IL 60504

2022.06.17

SCOOPS

090-SCL-RDBK N



NOTES: (UNLESS OTHERWISE SPECIFIED)
 1. ALL DIMENSIONS ARE IN INCHES.
 2. SEE CHART FOR DIMENSIONAL TOLERANCE.

-	00.00.00	-	--
REV	DATE	DESCRIPTION	BY
TOLERANCE	PITCH/TPI	NA / 0	TURNS x
X ±0.1	DRAWN	HQC	DATE 08.14.19
XX ±0.02	SCALE	0 : 1	REV
XXX ±0.010	090 - SCL - RDBK N		0



PHOENIX™

PHXPKG.COM

P 630 420 4750 E greatpkg@phxpkg.com
 975 Meridian Lake Drive • Aurora, IL 60504