

CHILD-RESISTANT CLOSURES

80-BAY-PCRC Horizon



Specifications:

- DIAMETER** 80 mm
- THREAD PROFILE** BAY
- NECK FINISH** 80-BAY
- CLOSURE TOP** Smooth
- CLOSURE SIDEWALL** Fine Ribbed
- MATERIAL** PP

PACKAGING & FREIGHT INFORMATION

PACK TYPE	PCS/CTN	CTNS/PALT	PCS/PALT	CTN WT*	PALT WT*	FRT CLASS
Bulk	550	15	8,250	TBD ⁽²⁾	TBD ⁽²⁾	TBD ⁽²⁾
CARTON DIMENSIONS: 24 x 16 x 15			PALLET DIMENSIONS: 48 x 40 x 50			

(2) Lined Closures *Approximate

MARKETS

Cannabis, Personal Care & Cosmetics, Vitamins, Nutraceuticals, and Nutritional Powders.

OPTIONS

Available in white, standard, and custom colors. Lined with SureSeal for child-resistance feature. Can be lined with heat induction liners.

CLOSURE BENEFITS

- Popular for the cannabis market
- Offers child-resistance feature
- 1-piece CRC
- Needs an adult-sized hand to push down and open

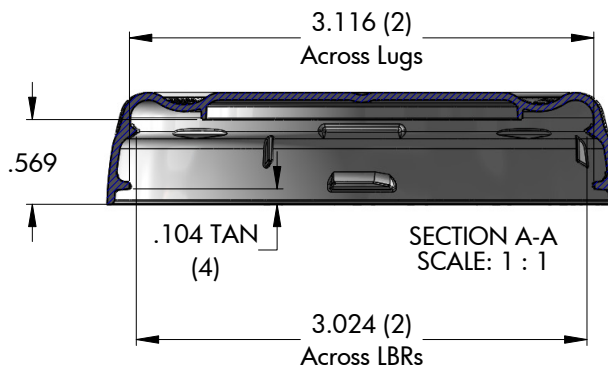
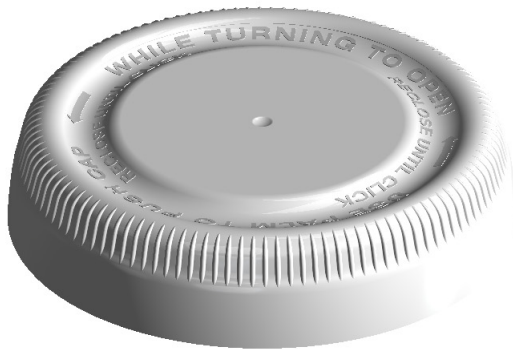
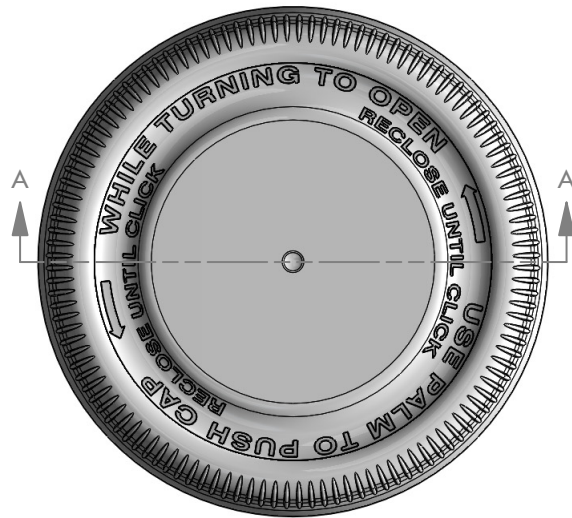
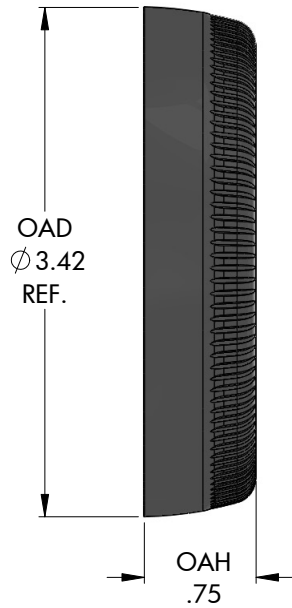


PHXPKG.COM

P 630 420 4750 E greatpkg@phxpkg.com
975 Meridian Lake Drive • Aurora, IL 60504

CHILD-RESISTANT CLOSURES

80-BAY-PCRCL Horizon



NOTES: (UNLESS OTHERWISE SPECIFIED)
1. ALL DIMENSIONS ARE IN INCHES.
2. SEE CHART FOR DIMENSIONAL TOLERANCE.

7	09.12.18	LRBs Updated	TS
REV	DATE	DESCRIPTION	BY
TOLERANCE	PITCH/TPI	N / A	TURNS N/A
.X ±0.1	DRAWN TCS	DATE 06.22.16	SCALE 3 : 1
.XX ±0.02	80 - BAY - PCRCL		REV
.XXX ±0.010			9

THIS OR FACSIMILE THEREOF IS THE EXCLUSIVE PROPERTY OF PHOENIX AND MAY NOT BE REPRODUCED WITHOUT THE EXPRESSED WRITTEN CONSENT OF PHOENIX. SOME OR ALL OF THE ITEMS DEPICTED ON THIS DRAWING MAY BE COVERED BY CURRENT PATENTS OR PATENTS APPLIED FOR BY PHOENIX.



PHXPKG.COM

P 630 420 4750 E greatpkg@phxpkg.com
975 Meridian Lake Drive • Aurora, IL 60504