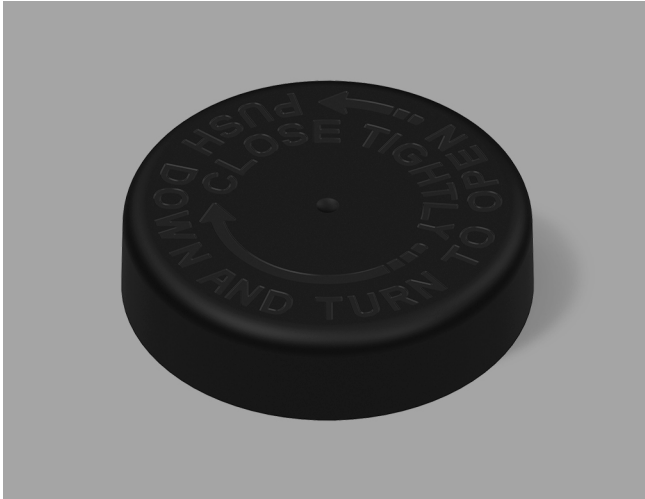


CHILD-RESISTANT CLOSURES

53-CRC-SMTX A Vista®



Specifications:

DIAMETER 53 mm

THREAD PROFILE CRC

NECK FINISH 53-CRC

CLOSURE TOP Embossed

CLOSURE SIDEWALL Smatte™

MATERIAL PP

PACKAGING & FREIGHT INFORMATION

PACK TYPE	PCS/CTN	CTNS/PALT	PCS/PALT	CTN WT*	PALT WT*	FRT CLASS
Bulk	1,200	15	18,000	34 ⁽¹⁾	516 ⁽¹⁾	100 ⁽¹⁾
Bulk	1,200	15	18,000	34 ⁽²⁾	516 ⁽²⁾	100 ⁽²⁾
CARTON DIMENSIONS: 24 x 16 x 15			PALLET DIMENSIONS: 48 x 40 x 50			

(1) Unlined Closures (2) Lined Closures *Approximate

MARKETS

Vitamins, Nutraceuticals, Pharmaceuticals, Supplements, Agricultural Products, Automotive Products, Household Chemicals, Cosmetics, Industrial Products, Cannabis, and Nutritional Powders.

OPTIONS

Available in white, standard, and custom colors. Can be lined with a wide variety of liner systems including SureSeal (foam).

CLOSURE BENEFITS

- Patented Smatte™ finish for a sleek look
- Offers child-resistance feature
- Vista® CRC
- Embossed with text
- Push-and-turn
- Popular for vitamins & nutraceuticals



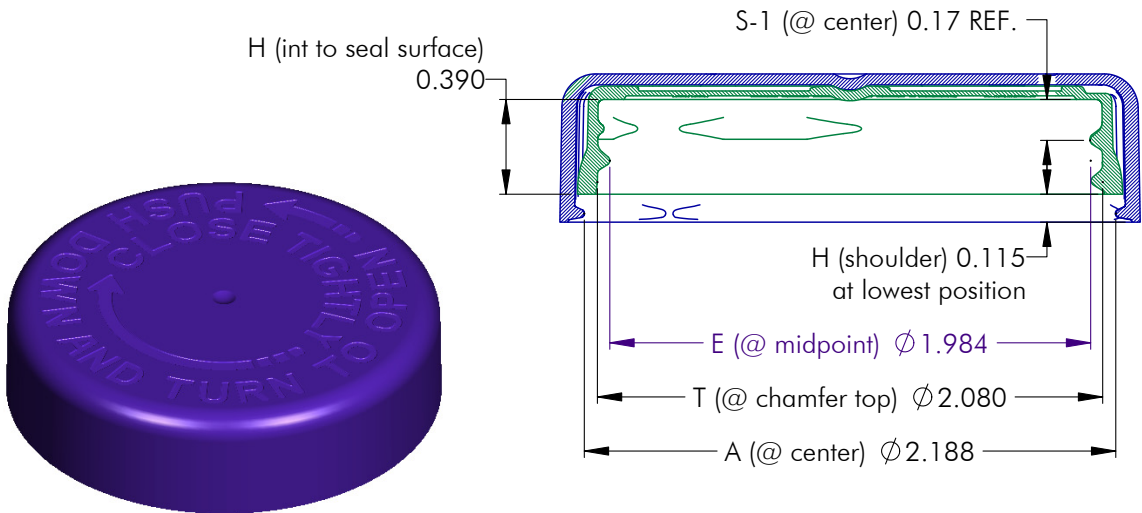
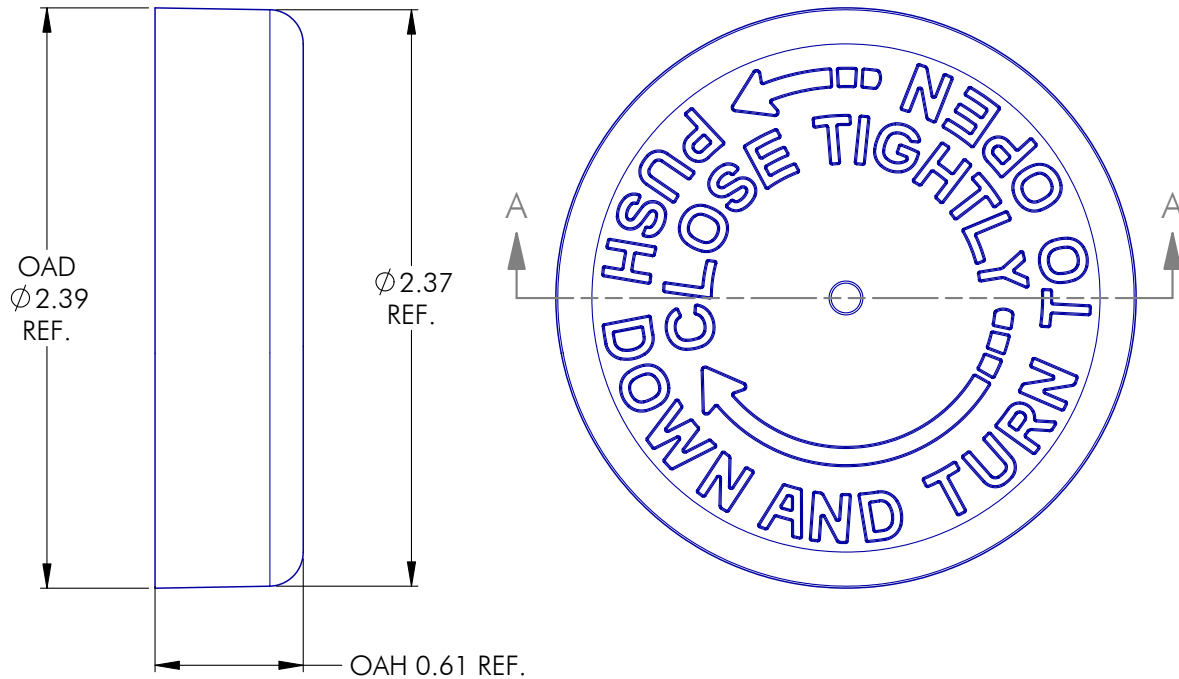
PHOENIX™

PHXPKG.COM

P 630 420 4750 E greatpkg@phxpkg.com
975 Meridian Lake Drive • Aurora, IL 60504

CHILD-RESISTANT CLOSURES

53-CRC-SMTX A Vista®



NOTES: (UNLESS OTHERWISE SPECIFIED) 1. ALL DIMENSIONS ARE IN INCHES. 2. SEE CHART FOR DIMENSIONAL TOLERANCE. THIS OR FACSIMILE THEREOF IS THE EXCLUSIVE PROPERTY OF PHOENIX AND MAY NOT BE REPRODUCED WITHOUT THE EXPRESSED WRITTEN CONSENT OF PHOENIX. SOME OR ALL OF THE ITEMS DEPICTED ON THIS DRAWING MAY BE COVERED BY CURRENT PATENTS OR PATENTS APPLIED FOR BY PHOENIX.	1	04.09.19	Reduce Outer Diameter	LD	
	REV	DATE	DESCRIPTION	BY	
	TOLERANCE	PITCH/TPI .167 / 6		URNS 356°	MAT'L PP
	.X ±0.1	DRAWN DMN	DATE 06.29.16	SCALE 3 : 2	REV
	.XX ±0.02	53 - CRC - SMTX (S)			1
.XXX ±0.010					

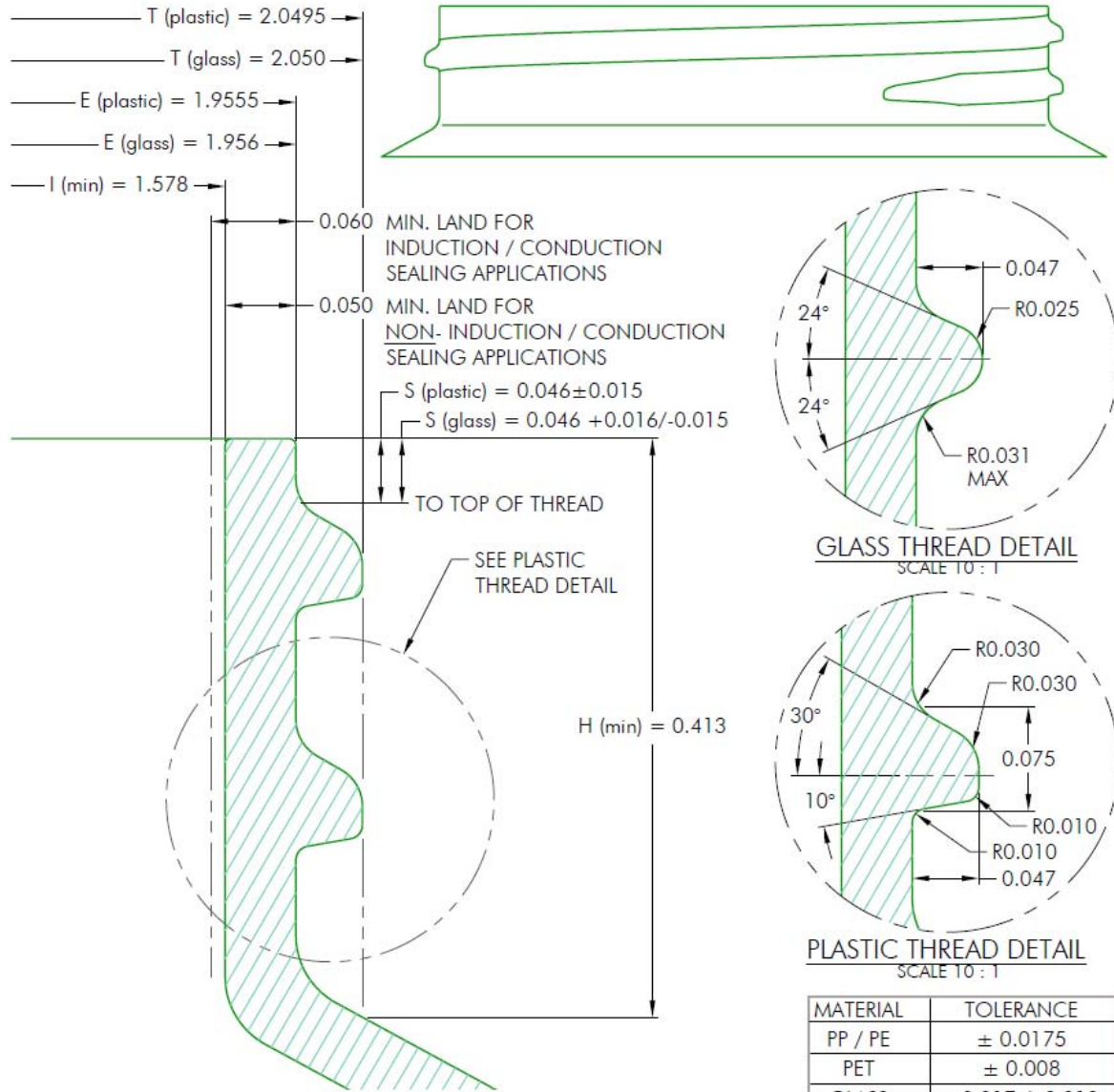


PHXPKG.COM

P 630 420 4750 E greatpkg@phxpkg.com
 975 Meridian Lake Drive • Aurora, IL 60504

CHILD-RESISTANT CLOSURES

53-CRC-SMTX A Vista®



NOTES: (UNLESS OTHERWISE SPECIFIED)		0	10.01.02	Released	BZ	
1. ALL DIMENSIONS ARE IN INCHES.		REV	DATE	DESCRIPTION	BY	
2. SEE CHART FOR DIMENSIONAL TOLERANCE.		TOLERANCE	PITCH/TPI	1.67 / 6	TURNS	
THIS OR FACSIMILE THEREOF IS THE EXCLUSIVE PROPERTY OF PHOENIX AND MAY NOT BE REPRODUCED WITHOUT THE EXPRESSED WRITTEN CONSENT OF PHOENIX. SOME OR ALL OF THE ITEMS DEPICTED ON THIS DRAWING MAY BE COVERED BY CURRENT PATENTS OR PATENTS APPLIED FOR BY PHOENIX.		.X	± 0.1	1-1/8	MAT'L	
		.XX	± 0.02	DRAWN	Per Chart	
		.XXX	± 0.010	BEZ	DATE	10.01.02
		53 - 400 - FINISH		SCALE	10 : 1	REV
					0	



PHXPKG.COM

P 630 420 4750 E greatpkg@phxpkg.com
 975 Meridian Lake Drive • Aurora, IL 60504