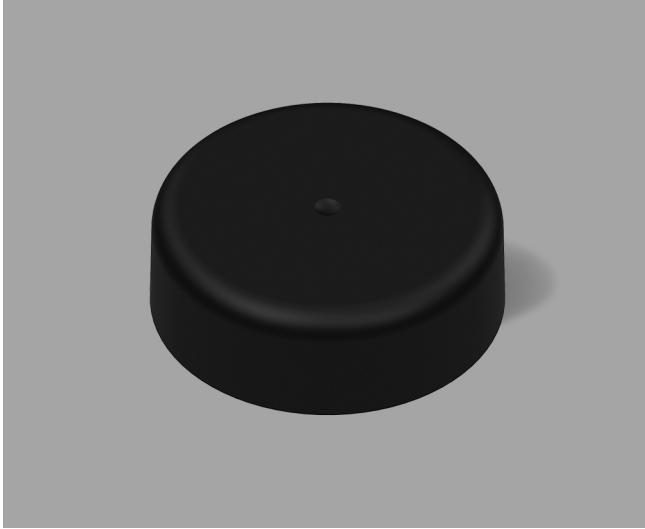


## CHILD-RESISTANT CLOSURES

# 38-CRC-SMBK A Vista™



## Specifications:

**DIAMETER** 38 mm

**THREAD PROFILE** CRC

**NECK FINISH** 38-CRC

**CLOSURE TOP** Smatte™

**CLOSURE SIDEWALL** Smatte™

**MATERIAL** PP

## PACKAGING & FREIGHT INFORMATION

PACK TYPE	PCS/CTN	CTNS/PALT	PCS/PALT	CTN WT*	PALT WT*	FRT CLASS
Bulk	2,000	15	30,000	33 <sup>(1)</sup>	495 <sup>(1)</sup>	100 <sup>(1)</sup>
Bulk	2,000	15	30,000	36 <sup>(2)</sup>	537 <sup>(2)</sup>	100 <sup>(2)</sup>
<b>CARTON DIMENSIONS:</b> 24 x 16 x 15			<b>PALLET DIMENSIONS:</b> 48 x 40 x 50			

(1) Unlined Closures (2) Lined Closures \*Approximate

## MARKETS

Vitamins, Nutraceuticals, Pharmaceuticals, Supplements, Agricultural Products, Automotive Products, Household Chemicals, Cosmetics, Industrial Products, Cannabis, and Nutritional Powders.

## OPTIONS

Available in white, standard, and custom colors. Can be lined with a wide variety of liner systems including SureSeal (foam).

## CLOSURE BENEFITS

- Patented Smatte™ finish for a sleek look
- Offers child-resistance feature
- Vista™ CRC
- Push-and-turn
- Popular for vitamins & nutraceuticals



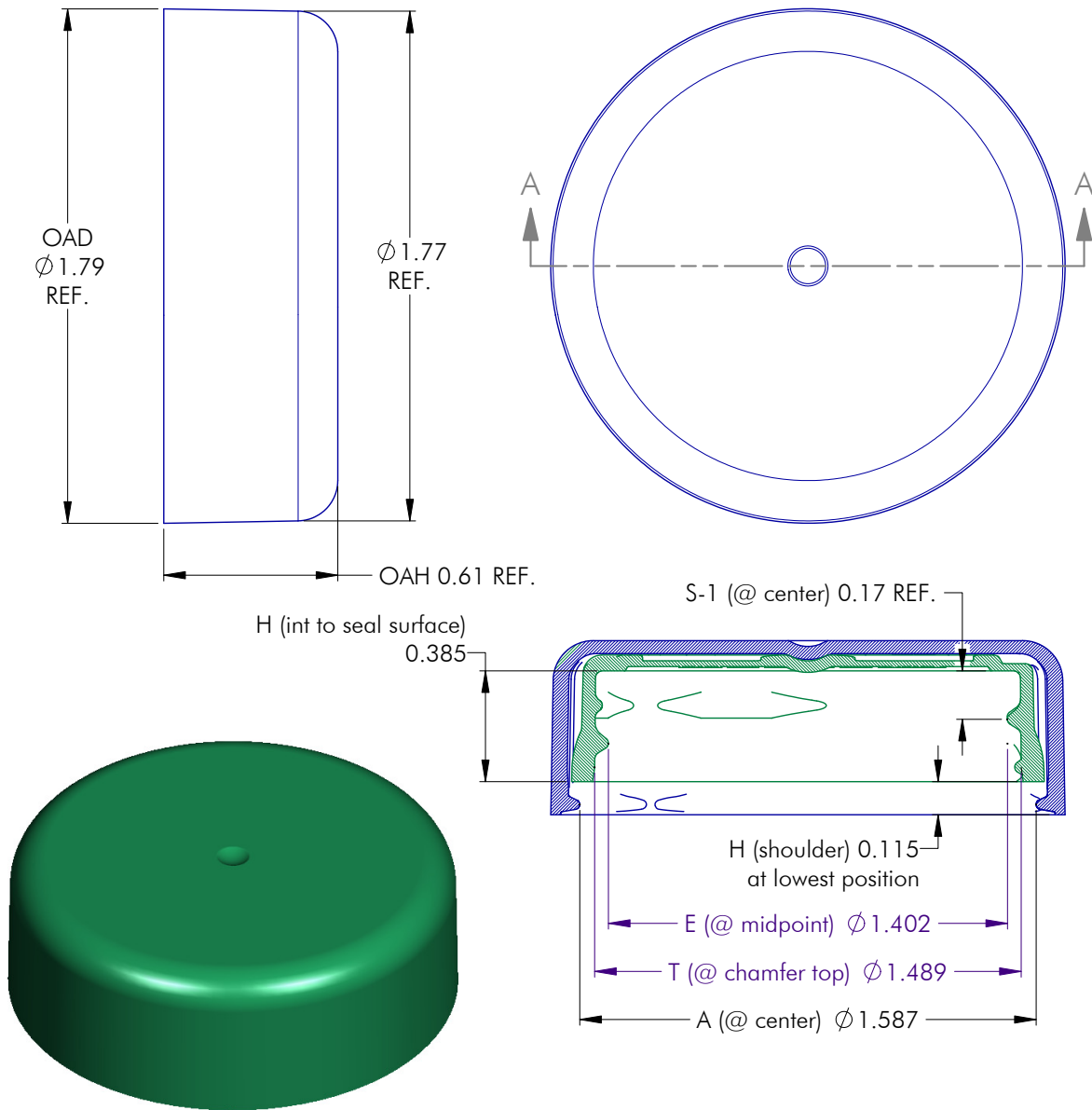
**PHOENIX™**

PHXPKG.COM

P 630 420 4750 E greatpkg@phxpkg.com  
1899 High Grove Lane Naperville, IL 60540

CHILD-RESISTANT CLOSURES

# 38-CRC-SMBK A Vista™



NOTES: (UNLESS OTHERWISE SPECIFIED) 1. ALL DIMENSIONS ARE IN INCHES. 2. SEE CHART FOR DIMENSIONAL TOLERANCE.		0	04.16.19	Smooth Wall Version Released	DN				
REV	DATE	DESCRIPTION			BY				
THIS OR FACSIMILE THEREOF IS THE EXCLUSIVE PROPERTY OF PHOENIX AND MAY NOT BE REPRODUCED WITHOUT THE EXPRESSED WRITTEN CONSENT OF PHOENIX. SOME OR ALL OF THE ITEMS DEPICTED ON THIS DRAWING MAY BE COVERED BY CURRENT PATENTS OR PATENTS APPLIED FOR BY PHOENIX.		TOLERANCE	PITCH/TPI	.167 / 6	TURNS	345°	MAT'L	PP	REV
.X	±0.1	DRAWN	DMN	DATE	06.29.16	SCALE	2 : 1	REV	0
.XX	±0.02	<b>38 - CRC - SMBK (S)</b>							
.XXX	±0.010	<b>0</b>							

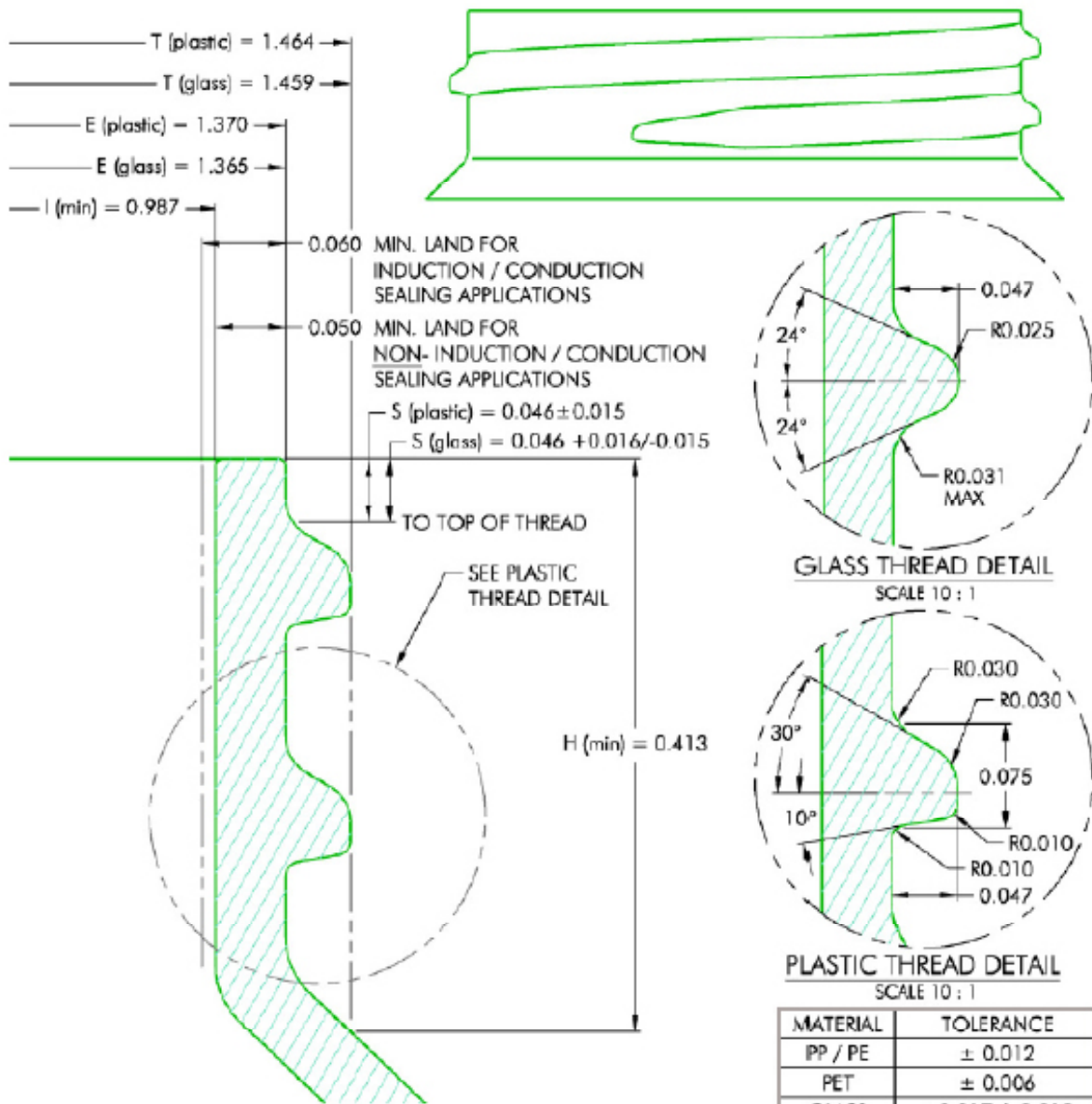


PHXPKG.COM

P 630 420 4750 E greatpkg@phxpkg.com  
1899 High Grove Lane Naperville, IL 60540

CHILD-RESISTANT CLOSURES

# 38-CRC-SMBK A Vista™



NOTES: (UNLESS OTHERWISE SPECIFIED)  
 1. ALL DIMENSIONS ARE IN INCHES.  
 2. SEE CHART FOR DIMENSIONAL TOLERANCE.

REV	DATE	DESCRIPTION	BY
BF	05.21.18	Released	DN

TOLERANCE: X  $\pm 0.1$ , XX  $\pm 0.02$ , XXX  $\pm 0.010$

PITCH/TPH .167 / 6 TURNS 1-1/4 MAT'L Per Chart  
 DRAWN BEZ DATE 08.31.93 SCALE 10:1 REV  
**38 - 400 - FINISH** 0



PHXPKG.COM

P 630 420 4750 E greatpkg@phxpkg.com  
 1899 High Grove Lane Naperville, IL 60540