

MEDIUM & DEEP SKIRTED CLOSURES

120-DCT-76 S EcoStack™



Specifications:

DIAMETER 120 mm
THREAD PROFILE DCT
NECK FINISH 120-DCT
CLOSURE TOP Smooth
CLOSURE SIDEWALL: Broad-ribbed
MATERIAL PP

PACKAGING & FREIGHT INFORMATION

PACK TYPE	PCS/CTN	CTNS/PALT	PCS/PALT	CTN WT*	PALT WT*	FRT CLASS
Stack	304	15	4,560	23 ⁽¹⁾	340 ⁽¹⁾	125 ⁽¹⁾
Stack	304	15	4,560	25 ⁽²⁾	373 ⁽²⁾	125
CARTON DIMENSIONS: 24 x 16 x 15			PALLET DIMENSIONS: 48 x 40 x 50			

(1) Unlined Closures (2) Lined Closures *Approximate

MARKETS

Nutritional Powders and Nutraceuticals.

OPTIONS

Available in white, standard colors and custom colors. Can be lined with a wide variety of liner systems including SureSeal (foam), pressure sensitive and heat induction (foil) liners.

CLOSURE BENEFITS

- EcoStack™ nested stacking for improved quality and increased pack count
- Broad-ribbed sides are easier to grip
- Popular for nutritional powders
- Stocked in white (colors available)



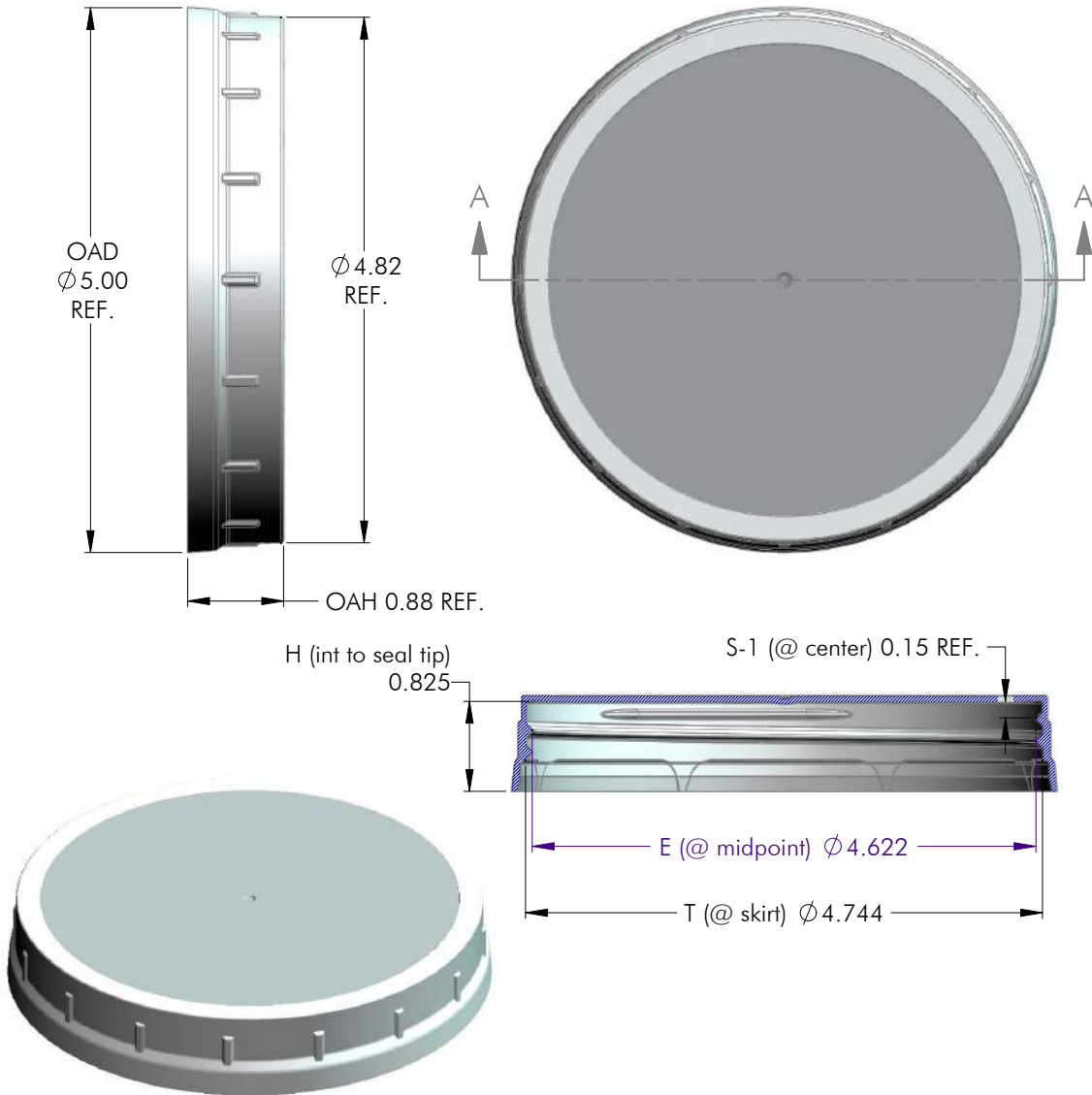
PHOENIX™

PHXPKG.COM

P 630 420 4750 E greatpkg@phxpkg.com
1899 High Grove Lane Naperville, IL 60540

MEDIUM & DEEP SKIRTED CLOSURES

120-DCT-76 S EcoStack™



NOTES: (UNLESS OTHERWISE SPECIFIED)				3	12.03.18	Update profile for Improved Economics	TS		
1. ALL DIMENSIONS ARE IN INCHES.				REV	DATE	DESCRIPTION	BY		
2. SEE CHART FOR DIMENSIONAL TOLERANCE.									
THIS OR FACSIMILE THEREOF IS THE EXCLUSIVE PROPERTY OF PHOENIX AND MAY NOT BE REPRODUCED WITHOUT THE EXPRESSED WRITTEN CONSENT OF PHOENIX. SOME OR ALL OF THE ITEMS DEPICTED ON THIS DRAWING MAY BE COVERED BY CURRENT PATENTS OR PATENTS APPLIED FOR BY PHOENIX.				TOLERANCE	PITCH/TPI .200 / 5	TURNS 1-1/2	MAT'L PP		
				.X ±0.1	DRAWN TCS	DATE 09.06.18	SCALE 3/4 : 1	REV	
				.XX ±0.02	120 - DCT - 76 S				3
				.XXX ±0.010					



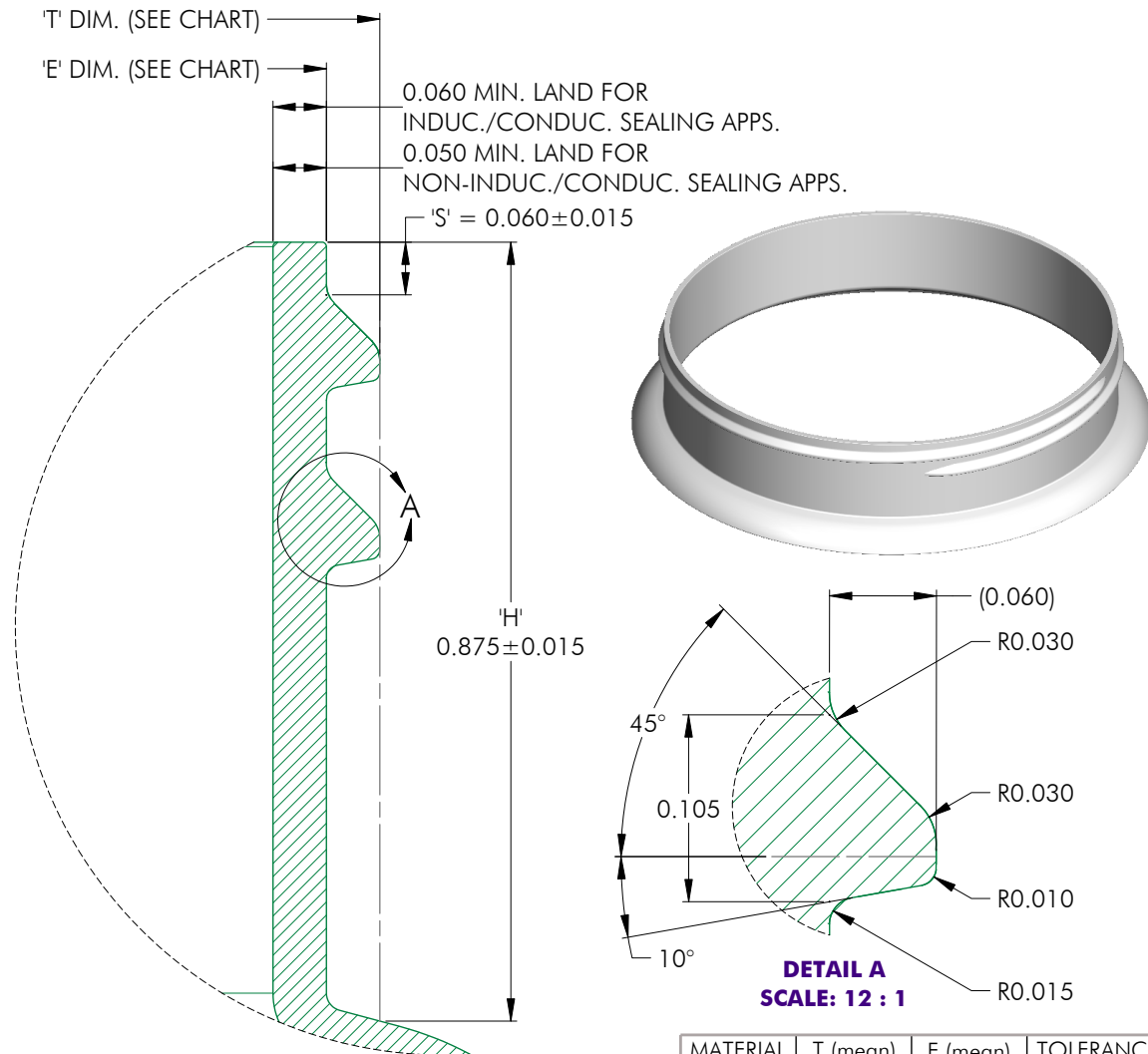
PHOENIX™

PHXPKG.COM

P 630 420 4750 E greatpkg@phxpkg.com
1899 High Grove Lane Naperville, IL 60540

MEDIUM & DEEP SKIRTED CLOSURES

120-DCT-76 S EcoStack™



MATERIAL	T (mean)	E (mean)	TOLERANCE
PP / PE	4.707	4.587	± 0.018
PET	4.710	4.590	± 0.015
GLASS	N/A	N/A	± N/A

NOTES: (UNLESS OTHERWISE SPECIFIED) 1. ALL DIMENSIONS ARE IN INCHES. 2. SEE CHART FOR DIMENSIONAL TOLERANCE.		0	04.10.15	Released	DN
REV	DATE	DESCRIPTION			BY
TOLERANCE	PITCH/TPI	.200 / 5	TURNS	1-1/8	MAT'L SEE CHART
.X	±0.1	DRAWN	DMN	DATE	04.10.15
.XX	±0.02	SCALE	6 : 1		
.XXX	±0.010	120 - DCT - FINISH			0

