

CHILD-RESISTANT CLOSURES

45-CRC-STBK A Vista®



Specifications:

DIAMETER 45 mm
THREAD PROFILE CRC
NECK FINISH 45-CRC
CLOSURE TOP Stipple
CLOSURE SIDEWALL Wide Ribbed
MATERIAL PP

PACKAGING & FREIGHT INFORMATION

PACK TYPE	PCS/CTN	CTNS/PALT	PCS/PALT	CTN WT*	PALT WT*	FRT CLASS
Bulk	1,700	15	25,500	36 ⁽¹⁾	537 ⁽¹⁾	100 ⁽¹⁾
Bulk	1,700	15	25,500	36 ⁽²⁾	537 ⁽²⁾	100 ⁽²⁾
CARTON DIMENSIONS: 24 x 16 x 15			PALLET DIMENSIONS: 48 x 40 x 50			

(1) Unlined Closures (2) Lined Closures *Approximate

MARKETS

Vitamins, Nutraceuticals, Pharmaceuticals, Supplements, Agricultural Products, Automotive Products, Household Chemicals, Cosmetics, Industrial Products, Cannabis, and Nutritional Powders.

OPTIONS

Available in white, standard, and custom colors. Can be lined with a wide variety of liner systems including SureSeal (foam), pressure sensitive

CLOSURE BENEFITS

- Offers child-resistance feature
- Vista® CRC
- Push-and-turn
- Popular for vitamins & nutraceuticals



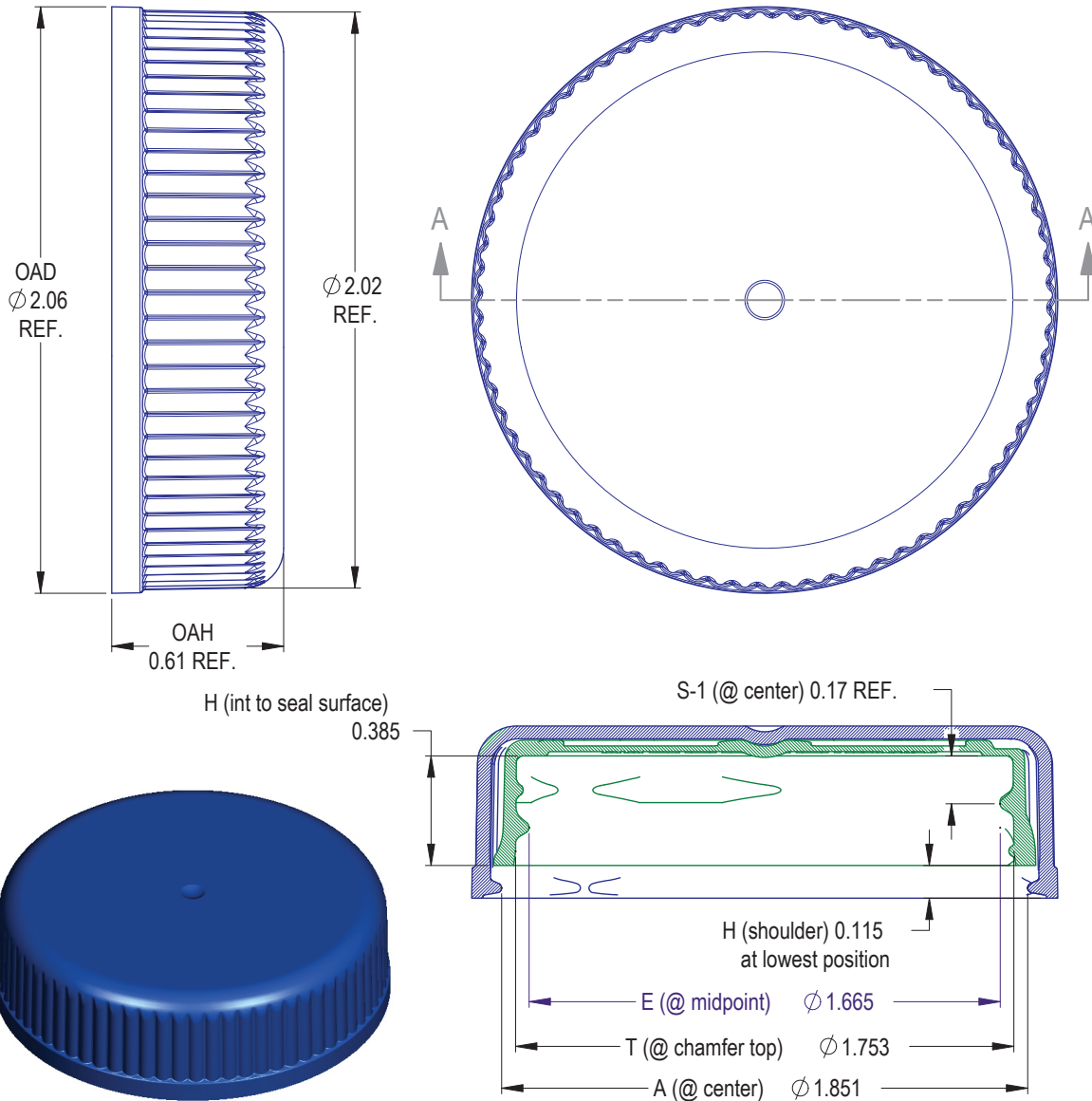
PHOENIX™

PHXPKG.COM

P 630 420 4750 E greatpkg@phxpkg.com
975 Meridian Lake Drive • Aurora, IL 60504

CHILD-RESISTANT CLOSURES

45-CRC-STBK A Vista®



NOTES: (UNLESS OTHERWISE SPECIFIED)				5	07.03.18	Update 'E' Dim. to Reflect Production	DN
1. ALL DIMENSIONS ARE IN INCHES.				REV	DATE	DESCRIPTION	BY
2. SEE CHART FOR DIMENSIONAL TOLERANCE.				TOLERANCE	PITCH/TPI .167 / 6	TURNS 345°	MAT'L PP
THIS OR FACSIMILE THEREOF IS THE EXCLUSIVE PROPERTY OF PHOENIX AND MAY NOT BE REPRODUCED WITHOUT THE EXPRESSED WRITTEN CONSENT OF PHOENIX. SOME OR ALL OF THE ITEMS DEPICTED ON THIS DRAWING MAY BE COVERED BY CURRENT PATENTS OR PATENTS APPLIED FOR BY PHOENIX.				.X	± 0.1	DRAWN DMN	DATE 08.28.16
				.XX	± 0.02	SCALE 2 : 1	REV
				.XXX	± 0.010	45 - CRC - STBK S	

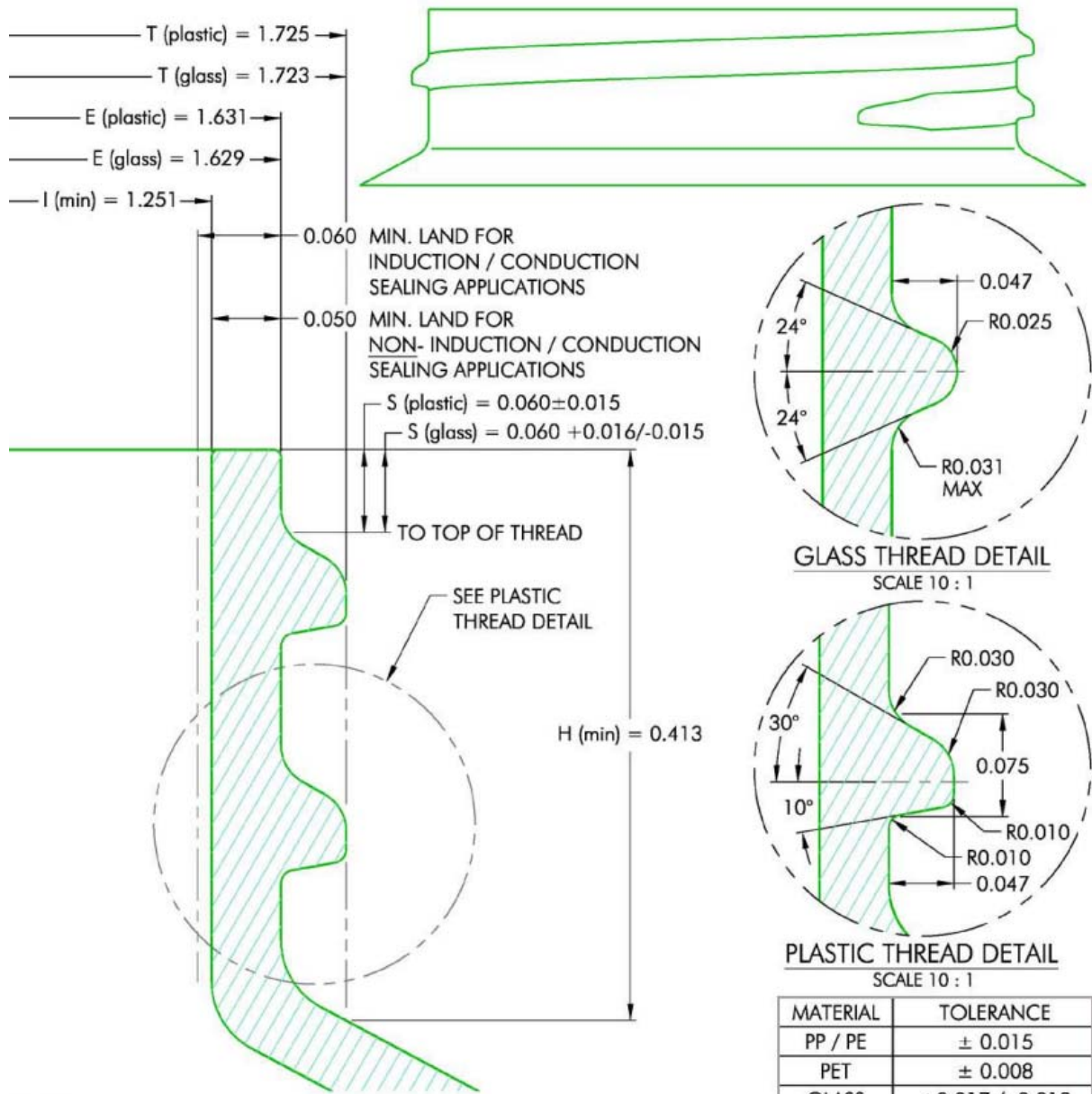


PHXPKG.COM

P 630 420 4750 E greatpkg@phxpkg.com
975 Meridian Lake Drive • Aurora, IL 60504

CHILD-RESISTANT CLOSURES

45-CRC-STBK A Vista®



NOTES: (UNLESS OTHERWISE SPECIFIED) 1. ALL DIMENSIONS ARE IN INCHES. 2. SEE CHART FOR DIMENSIONAL TOLERANCE. THIS OR FACSIMILE THEREOF IS THE EXCLUSIVE PROPERTY OF PHOENIX AND MAY NOT BE REPRODUCED WITHOUT THE EXPRESSED WRITTEN CONSENT OF PHOENIX. SOME OR ALL OF THE ITEMS DEPICTED ON THIS DRAWING MAY BE COVERED BY CURRENT PATENTS OR PATENTS APPLIED FOR BY PHOENIX.	0	09.17.96	Released	BZ	
	REV	DATE	DESCRIPTION	BY	
	TOLERANCE	PITCH/TPI	.167 / 6	TURNS 1-1/8	MAT'L Per Chart
	.X	± 0.1	DRAWN BEZ	DATE 09.17.96	SCALE 10 : 1
	.XX	± 0.02		REV	
	.XXX	± 0.010			
	45 - 400 - FINISH			0	



PHXPKG.COM

P 630 420 4750 E greatpkg@phxpkg.com
 975 Meridian Lake Drive • Aurora, IL 60504