

MEDIUM & DEEP SKIRTED CLOSURES

83-TAB-9913 S



Specifications:

DIAMETER 83 mm
THREAD PROFILE TAB
NECK FINISH 83-TAB
CLOSURE TOP Stipple
CLOSURE SIDEWALL: Broad Ribbed
MATERIAL PP

PACKAGING & FREIGHT INFORMATION

PACK TYPE	PCS/CTN	CTNS/PALT	PCS/PALT	CTN WT*	PALT WT*	FRT CLASS
Bulk	496	15	7,440	16 ⁽¹⁾	225 ⁽¹⁾	150 ⁽¹⁾
Bulk	496	15	7,440	18 ⁽²⁾	270 ⁽²⁾	150 ⁽²⁾
CARTON DIMENSIONS: 24 x 16 x 15			PALLET DIMENSIONS: 48 x 40 x 50			

(1) Unlined Closures (2) Lined Closures *Approximate

MARKETS

Food, Food Service, Peanut Butter & Nuts, Powdered Drinks, Personal Care & Cosmetics.

CLOSURE BENEFITS

- Broad-ribbed sides are easier to grip
- Popular for peanut butter and nuts

OPTIONS

Available in white, standard colors and custom colors. Can be lined with a wide variety of liner systems including SureSeal (foam), pressure sensitive and heat induction (foil) liners. Liners can be cut with a pull-tab easy-open feature. Can be embossed/debossed with custom message. Offset printing is available in up to three colors.



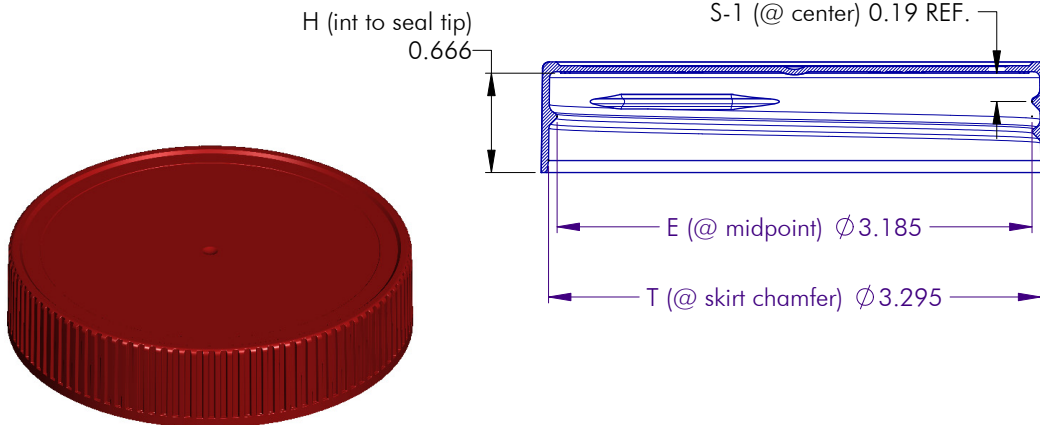
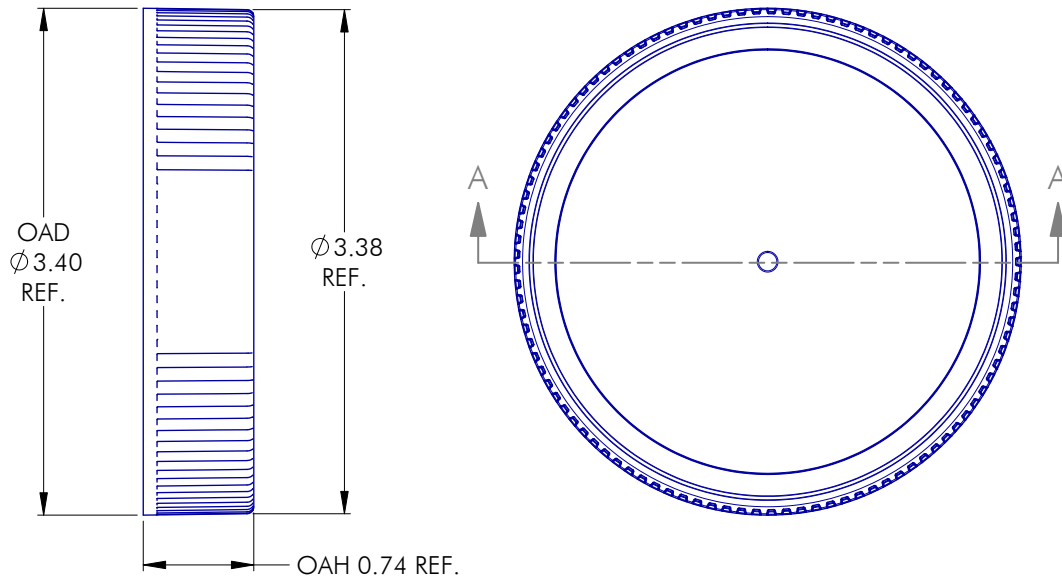
PHOENIX™

PHXPKG.COM

P 630 420 4750 E greatpkg@phxpkg.com
1899 High Grove Lane Naperville, IL 60540

MEDIUM & DEEP SKIRTED CLOSURES

83-TAB-9913 S



NOTES: (UNLESS OTHERWISE SPECIFIED)		1 07.14.15 Update Dimensions			DN
1. ALL DIMENSIONS ARE IN INCHES.		REV	DATE	DESCRIPTION	BY
2. SEE CHART FOR DIMENSIONAL TOLERANCE.		TOLERANCE	PITCH/TPI	.200 / 5	TURNS 1-3/8
THIS OR FACSIMILE THEREOF IS THE EXCLUSIVE PROPERTY OF PHOENIX AND MAY NOT BE REPRODUCED WITHOUT THE EXPRESSED WRITTEN CONSENT OF PHOENIX. SOME OR ALL OF THE ITEMS DEPICTED ON THIS DRAWING MAY BE COVERED BY CURRENT PATENTS OR PATENTS APPLIED FOR BY PHOENIX.		MAT'L	PP	DATE	03.03.11
.X	±0.1	DRAWN	DMN	SCALE	1 : 1
.XX	±0.02	83 - TAB - 9913 S			REV
.XXX	±0.010				1



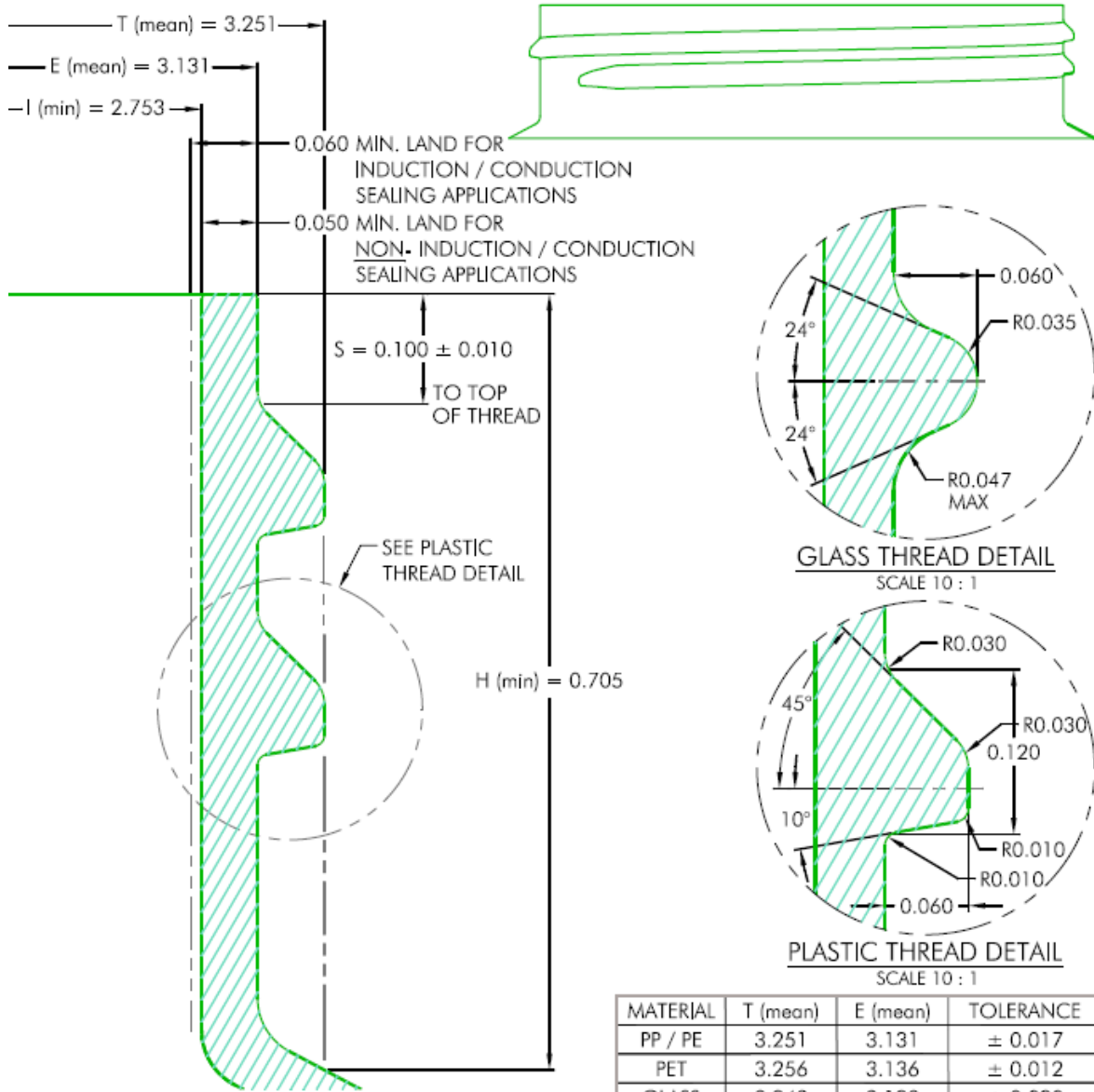
PHOENIX™

PHXPKG.COM

P 630 420 4750 E greatpkg@phxpkg.com
1899 High Grove Lane Naperville, IL 60540

MEDIUM & DEEP SKIRTED CLOSURES

83-TAB-9913 S



MATERIAL	T (mean)	E (mean)	TOLERANCE
PP / PE	3.251	3.131	± 0.017
PET	3.256	3.136	± 0.012
GLASS	3.248	3.128	± 0.020

NOTES: (UNLESS OTHERWISE SPECIFIED) 1. ALL DIMENSIONS ARE IN INCHES. 2. SEE CHART FOR DIMENSIONAL TOLERANCE. THIS OR FACSIMILE THEREOF IS THE EXCLUSIVE PROPERTY OF PHOENIX AND MAY NOT BE REPRODUCED WITHOUT THE EXPRESSED WRITTEN CONSENT OF PHOENIX. SOME OR ALL OF THE ITEMS DEPICTED ON THIS DRAWING MAY BE COVERED BY CURRENT PATENTS OR PATENTS APPLIED FOR BY PHOENIX.	0	11.24.03	Released	BZ	
	REV	DATE	DESCRIPTION	BY	
	TOLERANCE	PITCH/TPI	200 / 5	TURNS	1-3/8
		MAT'L		Per Chart	
	.X ±0.1	DRAWN	BEZ	DATE	11.24.03
.XX ±0.02			SCALE	10 : 1	
.XXX ±0.010			REV	0	
	83 - TAB - FINISH				

