

MEDIUM & DEEP SKIRTED CLOSURES

70-TAB-9901 S



Specifications:

DIAMETER 70 mm
THREAD PROFILE TAB
NECK FINISH 70-TAB
CLOSURE TOP Stipple
CLOSURE SIDEWALL: Broad Ribbed
MATERIAL PP

PACKAGING & FREIGHT INFORMATION

PACK TYPE	PCS/CTN	CTNS/PALT	PCS/PALT	CTN WT*	PALT WT*	FRT CLASS
Stack	800	15	12,000	19 ⁽¹⁾	291 ⁽¹⁾	150 ⁽¹⁾
Stack	800	15	12,000	21 ⁽²⁾	317 ⁽²⁾	125 ⁽²⁾
CARTON DIMENSIONS: 24 x 16 x 15			PALLET DIMENSIONS: 48 x 40 x 50			

(1) Unlined Closures (2) Lined Closures *Approximate

MARKETS

Dressings & Sauces, Food, Food Service, Peanut Butter & Nuts, and Powdered Drinks.

CLOSURE BENEFITS

- Broad-ribbed sides are easier to grip
- Popular for peanut butter and nuts

OPTIONS

Available in white, standard colors and custom colors. Can be lined with a wide variety of liner systems including SureSeal (foam), pressure sensitive and heat induction (foil) liners. Can be embossed/debossed with custom message. Offset printing is available in up to three colors.



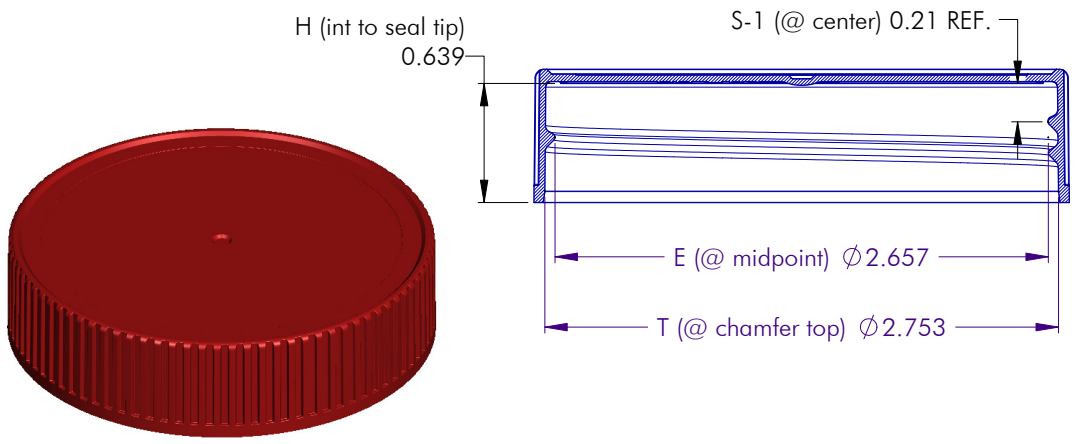
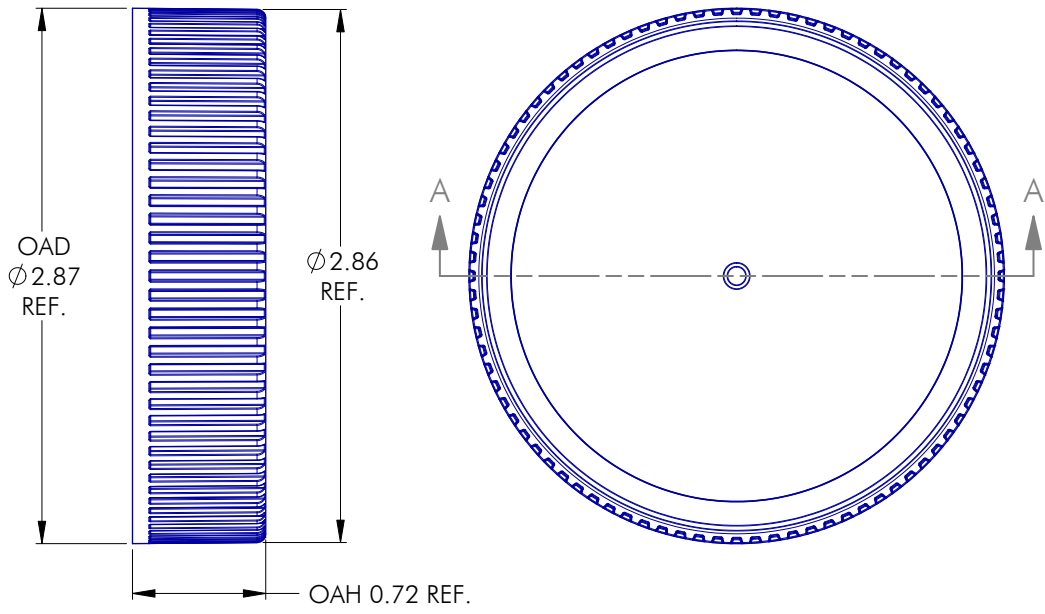
PHOENIX™

PHXPKG.COM

P 630 420 4750 E greatpkg@phxpkg.com
1899 High Grove Lane Naperville, IL 60540

MEDIUM & DEEP SKIRTED CLOSURES

70-TAB-9901 S



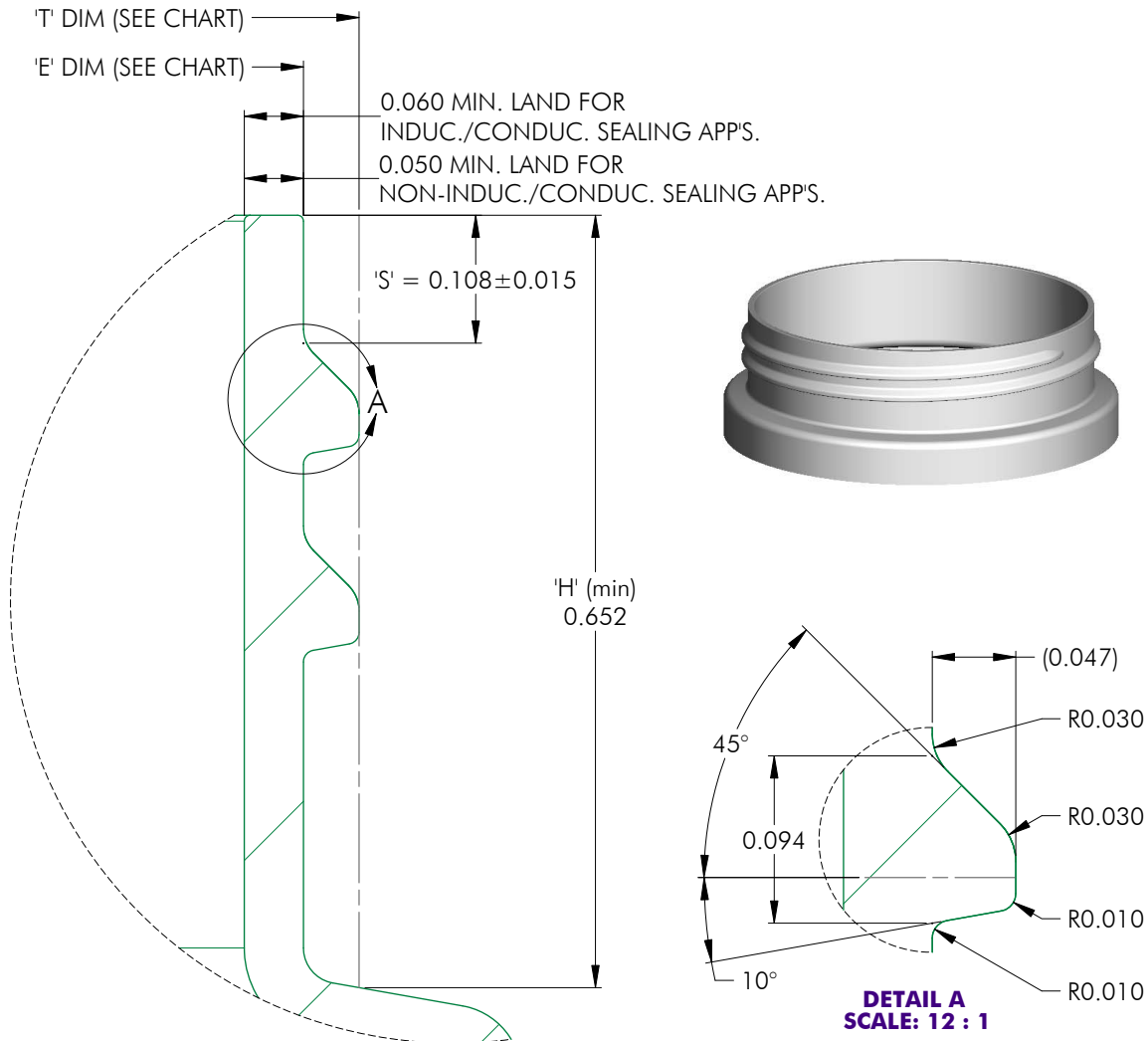
NOTES: (UNLESS OTHERWISE SPECIFIED) 1. ALL DIMENSIONS ARE IN INCHES. 2. SEE CHART FOR DIMENSIONAL TOLERANCE. THIS OR FACSIMILE THEREOF IS THE EXCLUSIVE PROPERTY OF PHOENIX AND MAY NOT BE REPRODUCED WITHOUT THE EXPRESSED WRITTEN CONSENT OF PHOENIX. SOME OR ALL OF THE ITEMS DEPICTED ON THIS DRAWING MAY BE COVERED BY CURRENT PATENTS OR PATENTS APPLIED FOR BY PHOENIX.	0	08.21.09	Released	DN					
	REV	DATE	DESCRIPTION	BY					
	TOLERANCE	PITCH/TPI	.167 / 6	TURNS	1-1/4	MAT'L	PP		
	.X	±0.1	DRAWN	DMN	DATE	08.21.09	SCALE	1-1/4 : 1	REV
.XX	±0.02	70 - TAB - 9901 S							
.XXX	±0.010								



PHXPKG.COM
 P 630 420 4750 E greatpkg@phxpkg.com
 1899 High Grove Lane Naperville, IL 60540

MEDIUM & DEEP SKIRTED CLOSURES

70-TAB-9901 S



MATERIAL	T (mean)	E (mean)	TOLERANCE
PP / PE	2.7205	2.6265	± 0.0175
PET	2.726	2.632	± 0.012
GLASS	N/A	N/A	± N/A

NOTES: (UNLESS OTHERWISE SPECIFIED) 1. ALL DIMENSIONS ARE IN INCHES. 2. SEE CHART FOR DIMENSIONAL TOLERANCE. THIS OR FACSIMILE THEREOF IS THE EXCLUSIVE PROPERTY OF PHOENIX AND MAY NOT BE REPRODUCED WITHOUT THE EXPRESSED WRITTEN CONSENT OF PHOENIX. SOME OR ALL OF THE ITEMS DEPICTED ON THIS DRAWING MAY BE COVERED BY CURRENT PATENTS OR PATENTS APPLIED FOR BY PHOENIX.	1	11.28.01	Update "S" & Number of Turns	BZ	
	REV	DATE	DESCRIPTION	BY	
	TOLERANCE	PITCH/TPI	6 / 0	TURNS 1-1/2	MAT'L PER CHART
	.X ±0.1	DRAWN	DMN	DATE 03.20.97	SCALE 8 : 1
	.XX ±0.02	70 - TAB - FINISH			1



PHXPKG.COM

P 630 420 4750 E greatpkg@phxpkg.com
 1899 High Grove Lane Naperville, IL 60540