

SMOOTH TOP & RIBBED SIDES

45-400-73 S



Specifications:

DIAMETER 45 mm
THREAD PROFILE 400
NECK FINISH 45-400
CLOSURE TOP Smooth
CLOSURE SIDEWALL Fine Ribbed
MATERIAL PP

PACKAGING & FREIGHT INFORMATION

PACK TYPE	PCS/CTN	CTNS/PALT	PCS/PALT	CTN WT*	PALT WT*	FRT CLASS
Bulk	2,750	15	41,250	20 ⁽¹⁾	300 ⁽¹⁾	125 ⁽¹⁾
Bulk	2,750	15	41,250	20 ⁽²⁾	303 ⁽²⁾	125 ⁽²⁾
CARTON DIMENSIONS: 24 x 16 x 15			PALLET DIMENSIONS: 48 x 40 x 50			

(1) Unlined Closures (2) Lined Closures *Approximate

MARKETS

Food, Personal Care & Cosmetics, Pharmaceuticals, Nutraceuticals, Dairy Products, and Medical Products.

OPTIONS

Available in white, standard, and custom colors. Can be lined with a wide variety of liner systems including SureSeal (foam), pressure sensitive and heat induction (foil) liners.

CLOSURE BENEFITS

- A great general-purpose closure
- Fine-ribbed sides are easier to grip
- Popular for vitamins and nutraceuticals
- Stocked in white (colors available)



PHOENIX™

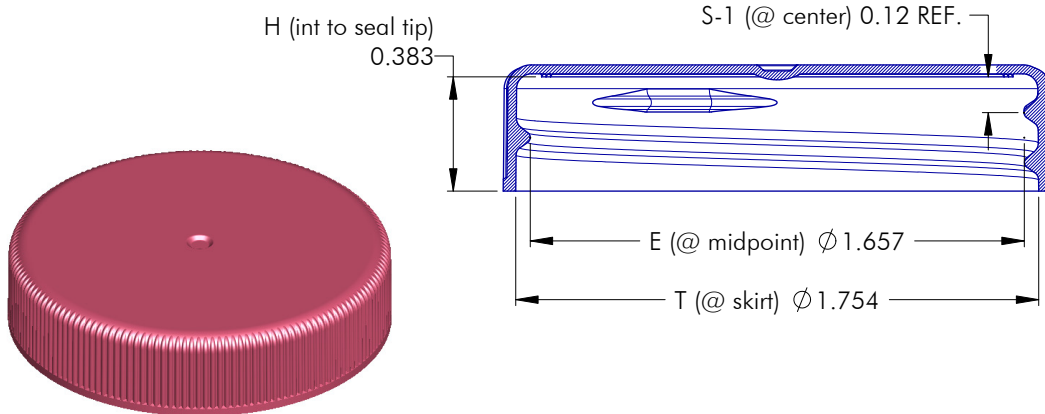
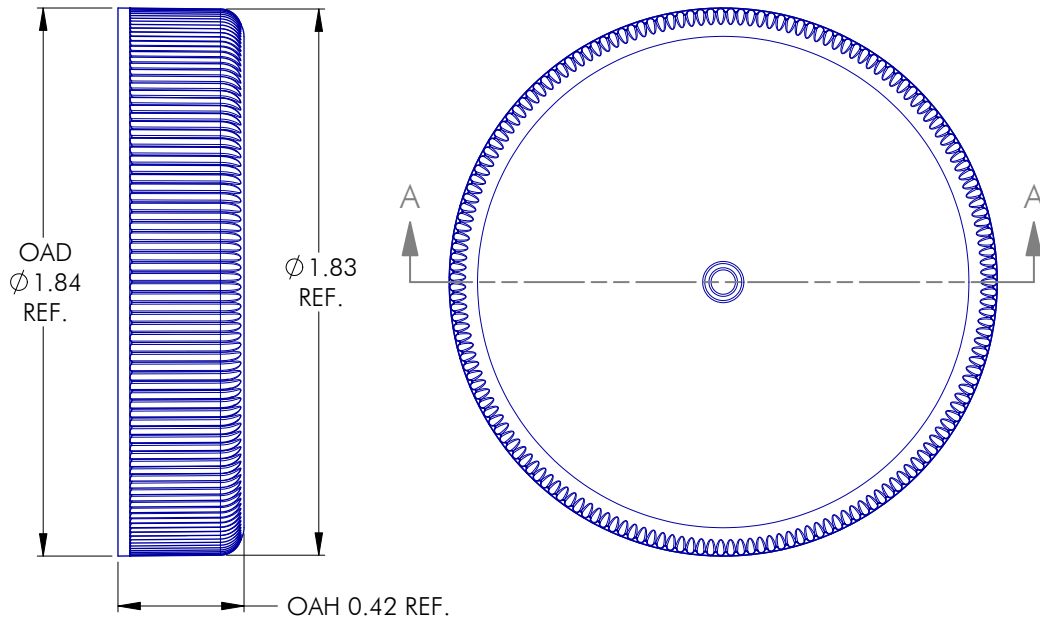
PHXPKG.COM

P 630 420 4750 E greatpkg@phxpkg.com
975 Meridian Lake Drive • Aurora, IL 60504

2022.06.27

SMOOTH TOP & RIBBED SIDES

45-400-73 S



NOTES: (UNLESS OTHERWISE SPECIFIED)				0	01.16.08	Released	DN
1. ALL DIMENSIONS ARE IN INCHES.				REV	DATE	DESCRIPTION	BY
2. SEE CHART FOR DIMENSIONAL TOLERANCE.				TOLERANCE	PITCH/TPI .167 / 6	TURNS 1-1/8	MAT'L PP
THIS OR FACSIMILE THEREOF IS THE EXCLUSIVE PROPERTY OF PHOENIX AND MAY NOT BE REPRODUCED WITHOUT THE EXPRESSED WRITTEN CONSENT OF PHOENIX. SOME OR ALL OF THE ITEMS DEPICTED ON THIS DRAWING MAY BE COVERED BY CURRENT PATENTS OR PATENTS APPLIED FOR BY PHOENIX.				.X	±0.1	DRAWN DMN	DATE 01.16.08
				.XX	±0.02	SCALE 2 : 1	REV
				.XXX	±0.010	45 - 400 - 73 S 0	

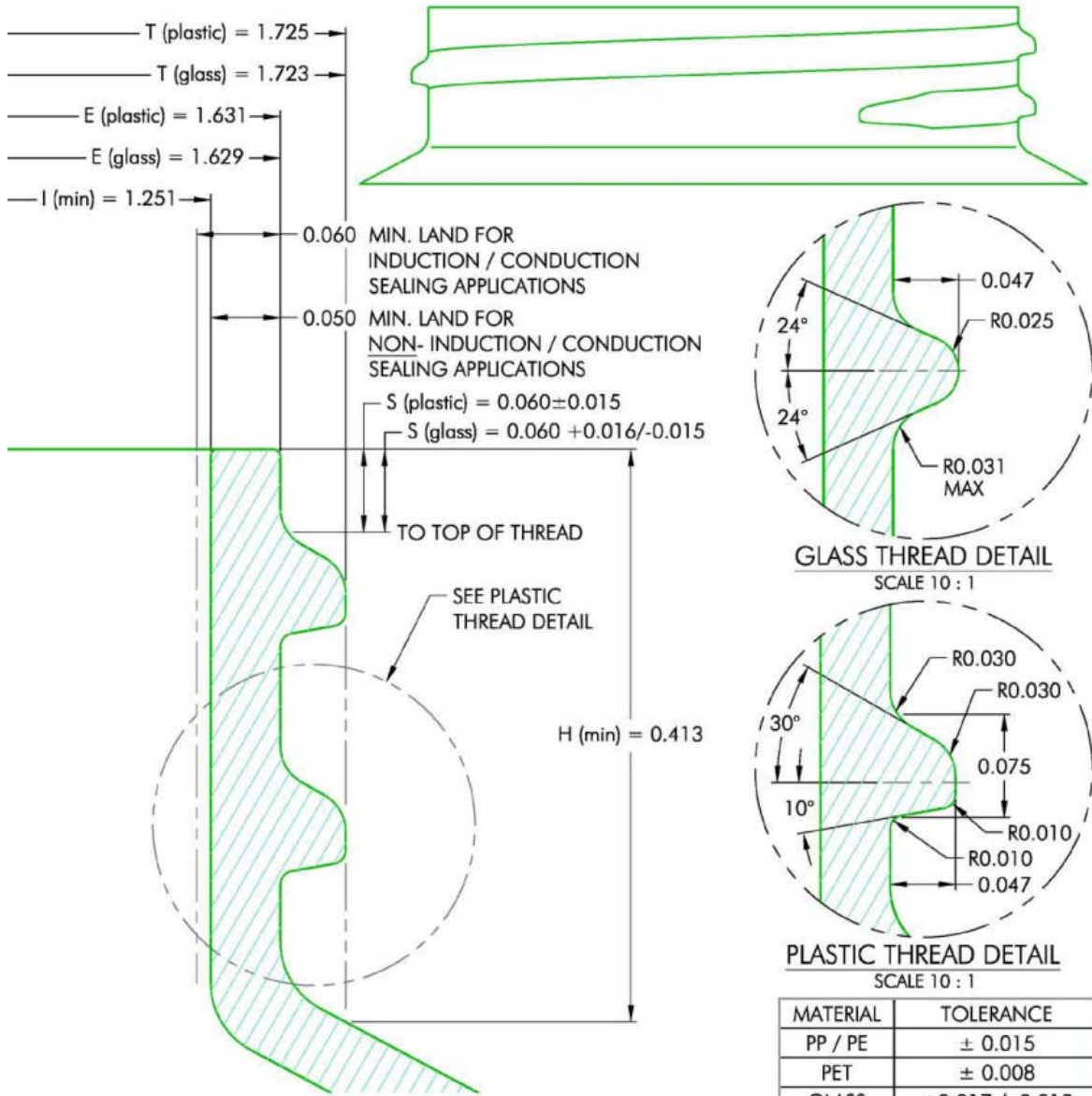


PHXPKG.COM

P 630 420 4750 E greatpkg@phxpkg.com
975 Meridian Lake Drive • Aurora, IL 60504

SMOOTH TOP & RIBBED SIDES

45-400-73 S



NOTES: (UNLESS OTHERWISE SPECIFIED)		0	09.17.96	Released	BZ
1. ALL DIMENSIONS ARE IN INCHES.		REV	DATE	DESCRIPTION	BY
2. SEE CHART FOR DIMENSIONAL TOLERANCE.		TOLERANCE	PITCH/TPI	1.67 / 6	TURNS
THIS OR FACSIMILE THEREOF IS THE EXCLUSIVE PROPERTY OF PHOENIX AND MAY NOT BE REPRODUCED WITHOUT THE EXPRESSED WRITTEN CONSENT OF PHOENIX. SOME OR ALL OF THE ITEMS DEPICTED ON THIS DRAWING MAY BE COVERED BY CURRENT PATENTS OR PATENTS APPLIED FOR BY PHOENIX.		.X	± 0.1	DRAWN	BEZ
		.XX	± 0.02	DATE	09.17.96
		.XXX	± 0.010	SCALE	10 : 1
		45 - 400 - FINISH			REV



PHXPKG.COM

P 630 420 4750 E greatpkg@phxpkg.com
 975 Meridian Lake Drive • Aurora, IL 60504