

MEDIUM & DEEP SKIRTED CLOSURES

38-8TP-62 S



Specifications:

DIAMETER 38 mm
THREAD PROFILE 8TP
NECK FINISH 38-8TP
CLOSURE TOP Stipple
CLOSURE SIDEWALL: Fine Ribbed
MATERIAL PP

PACKAGING & FREIGHT INFORMATION

PACK TYPE	PCS/CTN	CTNS/PALT	PCS/PALT	CTN WT*	PALT WT*	FRT CLASS
Bulk	3,500	15	52,500	27 ⁽¹⁾	408 ⁽¹⁾	100 ⁽¹⁾
Bulk	3,500	15	52,500	30 ⁽²⁾	452 ⁽²⁾	100 ⁽²⁾
CARTON DIMENSIONS: 24 x 16 x 15			PALLET DIMENSIONS: 48 x 40 x 50			

(1) Unlined Closures (2) Lined Closures *Approximate

MARKETS

Dressings & Sauces, Food, Food Service and Food Oil.

OPTIONS

Available in white, several standard colors and custom colors. Can be lined with a wide variety of liner systems. Liners can be cut with a tri-tab easy-open feature.

CLOSURE BENEFITS

- Stocked in white (colors available)
- Fine-ribbed sides are easier to grip



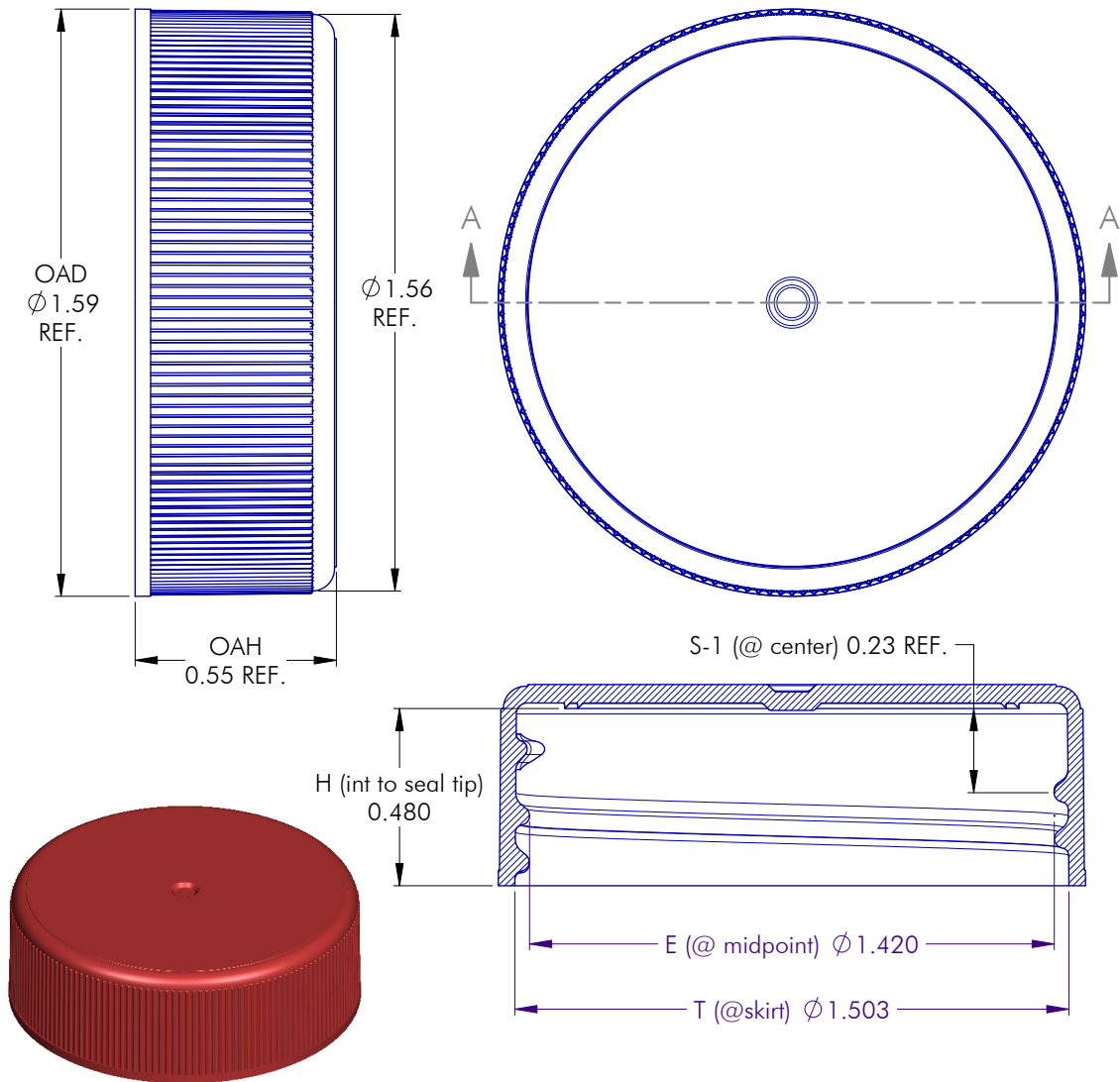
PHOENIX™

PHXPKG.COM

P 630 420 4750 E greatpkg@phxpkg.com
975 Meridian Lake Drive • Aurora, IL 60504

MEDIUM & DEEP SKIRTED CLOSURES

38-8TP-62 S



NOTES: (UNLESS OTHERWISE SPECIFIED)				7	03.13.06	Modify Interior Diameter Dimensions	BZ
1. ALL DIMENSIONS ARE IN INCHES.				REV	DATE	DESCRIPTION	BY
2. SEE CHART FOR DIMENSIONAL TOLERANCE.				TOLERANCE	PITCH/TPI	.125 / 8	TURNS
THIS OR FACSIMILE THEREOF IS THE EXCLUSIVE PROPERTY OF PHOENIX AND MAY NOT BE REPRODUCED WITHOUT THE EXPRESSED WRITTEN CONSENT OF PHOENIX. SOME OR ALL OF THE ITEMS DEPICTED ON THIS DRAWING MAY BE COVERED BY CURRENT PATENTS OR PATENTS APPLIED FOR BY PHOENIX.				.X	±0.1	1-1/8	MAT'L
				.XX	±0.02	DRAWN	PP
				.XXX	±0.010	BEZ	DATE
						10.31.05	SCALE
						5 : 2	REV
				38 - 8TP - 62 S			7

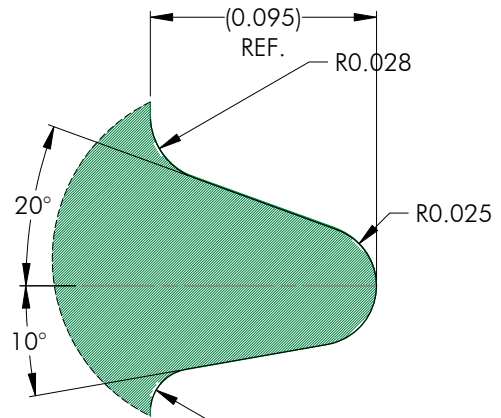
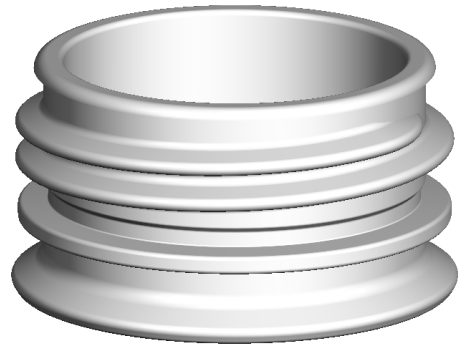
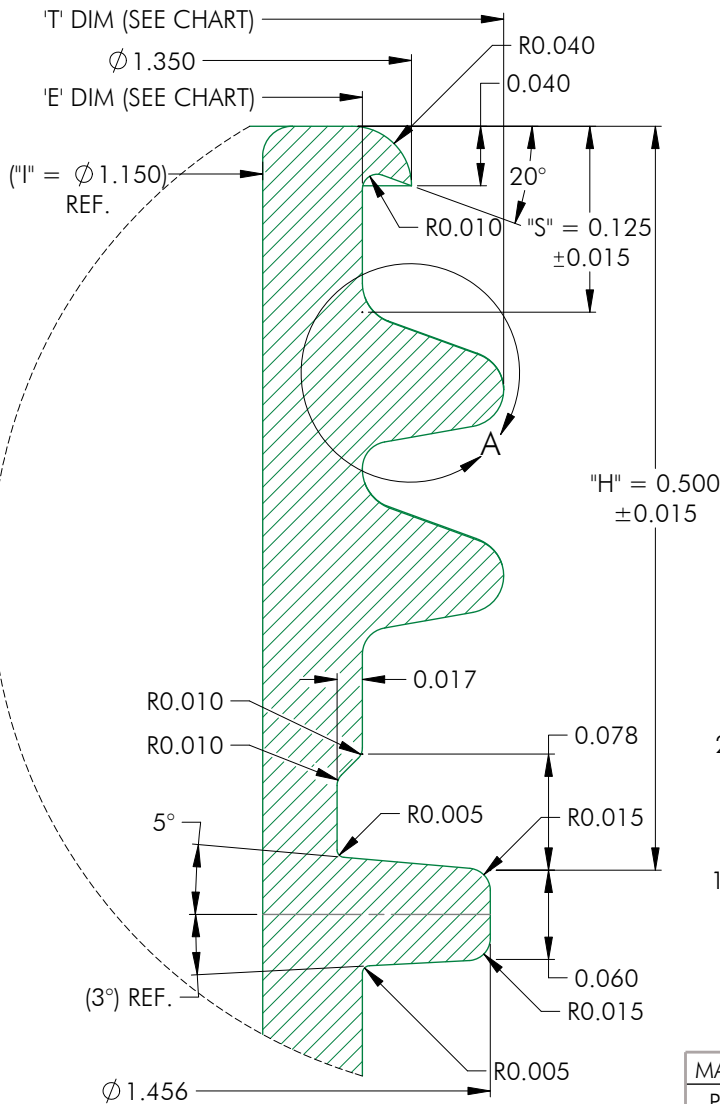


PHXPKG.COM

P 630 420 4750 E greatpkg@phxpkg.com
975 Meridian Lake Drive • Aurora, IL 60504

MEDIUM & DEEP SKIRTED CLOSURES

38-8TP-62 S



DETAIL A
SCALE: 16 : 1

MATERIAL	T (mean)	E (mean)	TOLERANCE
PP / PE	1.474	1.284	± 0.010
PET	1.476	1.286	± 0.008
GLASS	0.0000	0.0000	± 0.0000

NOTES: (UNLESS OTHERWISE SPECIFIED) 1. ALL DIMENSIONS ARE IN INCHES. 2. SEE CHART FOR DIMENSIONAL TOLERANCE.		0	04.04.06	Released	BZ
REV	DATE	DESCRIPTION			BY
TOLERANCE	PITCH/TPI	.125 / 8	TURNS	1-1/2	MAT'L PER CHART
.X ±0.1	DRAWN	BEZ	DATE	04.04.06	SCALE 10 : 1
.XX ±0.02	38 - 8TP - FINISH				REV
.XXX ±0.010					0



PHXPKG.COM

P 630 420 4750 E greatpkg@phxpkg.com
975 Meridian Lake Drive • Aurora, IL 60504